

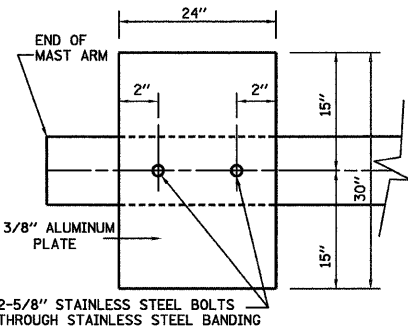
F.A. RTE.	SECTION	COUNTY	TOTAL SHEETS	SHEET NO.
*	*	LA SALLE	48	12
STA.		TO STA.		
FED. ROAD DIST. NO. _		ILLINOIS FED. AID PROJECT		
* FAP 68 & 68 ALT (IL 23 NB & SB) ** (35, 51 & 48 CS, 12)TS				

ELECTRICAL LOAD FOR INTERSECTION				
STREET NAME	COMPONENT	NUMBER	WATTAGE EACH	BURNTIME %
LA SALLE STREET (IL 23 SB)	RED	4	10	42
	YELLOW	4	19	5
	GREEN	4	14	53
		4	7	100
		4	5	53
LAFAYETTE STREET	RED	4	10	68
	YELLOW	4	19	5
	GREEN	4	14	27
		4	7	100
		4	5	27
TRAFFIC SIGNAL CABINET	CONTROLLER	1	6	100
	UPS	1	50	100
	EMERGENCY VEHICLE PREEMPT	3	--	--

AGENCY RESPONSIBLE FOR TRAFFIC SIGNAL ENERGY CHARGES:
CITY OF OTTAWA

NOTE:

DAMPENING DEVICE SHALL CONSIST OF A 24" X 30" TYPE 1, UNPAINTED ALUMINUM SIGN STOCK MOUNTED HORIZONTALLY ON TOP OF MAST ARM WITH THE 30" LENGTH PERPENDICULAR TO THE ARM. COST OF THE DAMPENING DEVICE IS INCLUDED IN THE MAST ARM PAY ITEM.



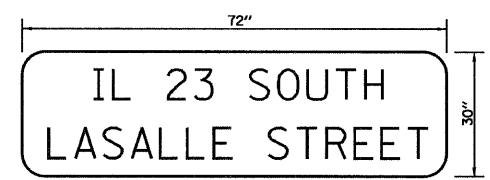
2-5/8" STAINLESS STEEL BOLTS THROUGH STAINLESS STEEL BANDING
NOTE: MOUNT DAMPENING PLATE TO END OF EACH TRAFFIC SIGNAL MAST ARM.

DAMPENING PLATE DETAIL - TOP VIEW



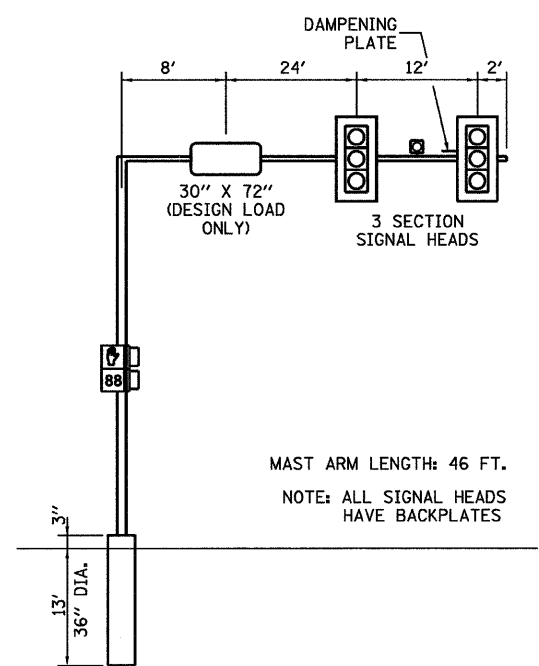
TYPE ZZ SHEETING REQUIRED
8" D SERIES LETTERS
1 SIGNS REQUIRED = 15 SQ. FT. EACH
= 15 SQ. FT. TOTAL

THIS STREET NAME SIGN SHALL BE PLACED ON THE MAST ARMS PARALLEL WITH LAFAYETTE STREET



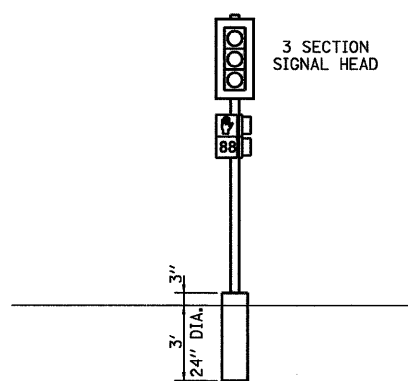
TYPE ZZ SHEETING REQUIRED
8" D SERIES LETTERS (STATE ROUTE LETTERING)
6" D SERIES LETTERS (CITY STREET LETTERING)
2 SIGNS REQUIRED = 15 SQ. FT. EACH
= 30 SQ. FT. TOTAL

THIS STREET NAME SIGN SHALL BE PLACED ON THE MAST ARMS PARALLEL WITH LA SALLE STREET



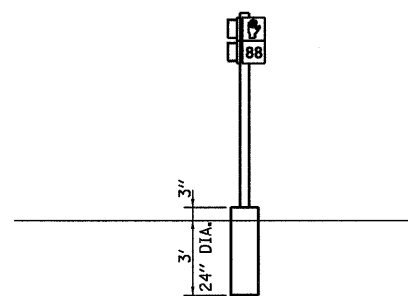
EASTBOUND

NORTHEAST CORNER
NOT TO SCALE



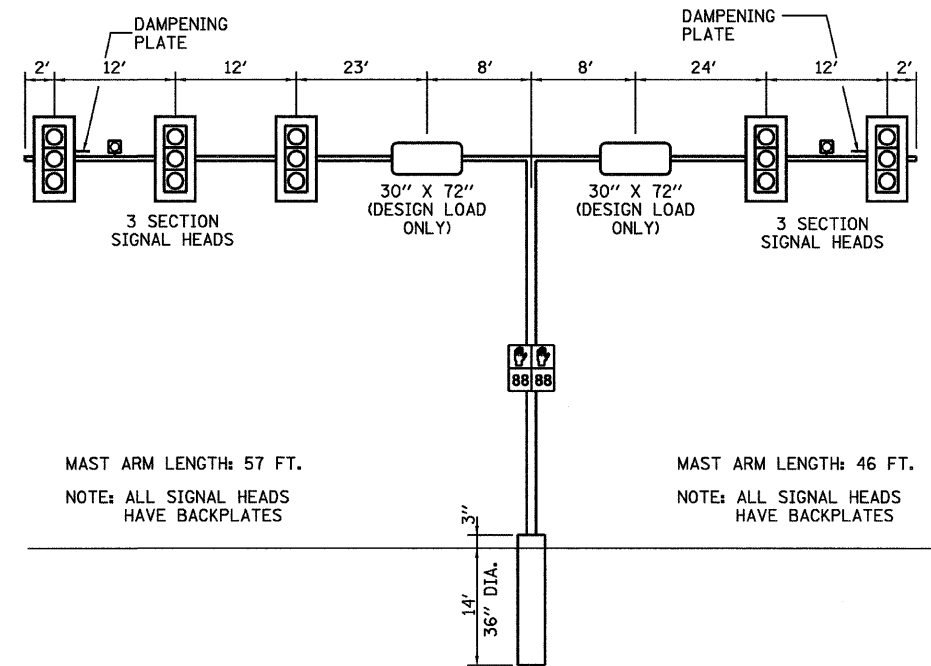
SOUTHBOUND

SOUTHEAST CORNER
NOT TO SCALE



WESTBOUND

NORTHWEST CORNER
NOT TO SCALE



SOUTHBOUND

WESTBOUND

SOUTHWEST CORNER
NOT TO SCALE

LA SALLE STREET (IL 23 SB) / LAFAYETTE STREET

MAST ARM AND POLE SHALL BE DESIGNED FOR THE WORST CASE LOADING CONDITION WHEREBY ALL THE SIGNAL HEADS ARE LOCATED 2 FEET FURTHER OUT THAN POSITION SHOWN. HOWEVER THE INTENT IS THAT ALL SIGNAL HEADS BE CENTERED ABOVE THE LANES.

REVISIONS	
NAME	DATE

ILLINOIS DEPARTMENT OF TRANSPORTATION
TRAFFIC SIGNAL DETAILS
FAP 68 ALT (IL 23 SB)/LA SALLE ST
AND LAFAYETTE STREET
SECTION 35.51 & 48 CS, 12)TS
LA SALLE COUNTY

SCALE: VERT. _____
HORIZ. _____
DATE 11/08
DRAWN BY ARR
CHECKED BY JLS

PLOT DATE = 11/08
 FILE NAME = D:\66769-99-SHT-DETAILS-LASA-LAFA.dgn
 PLOT SCALE = ARR
 USER NAME = ARR