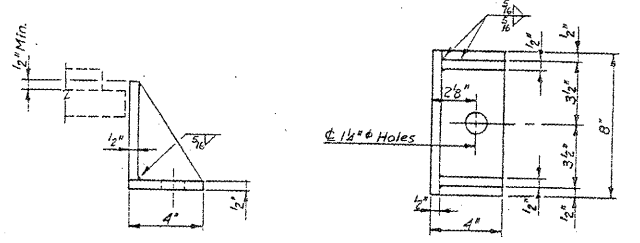
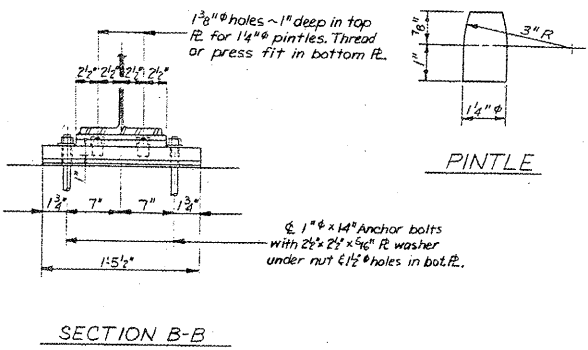
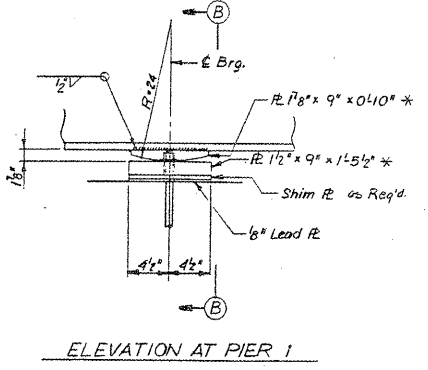
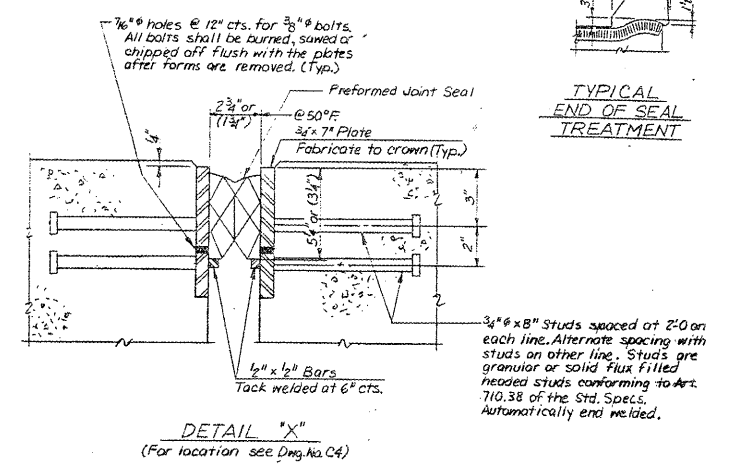
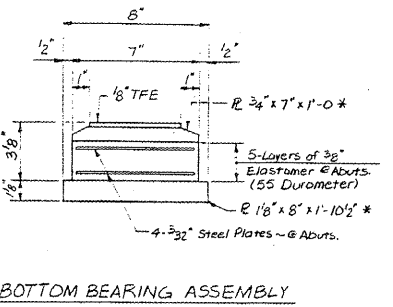
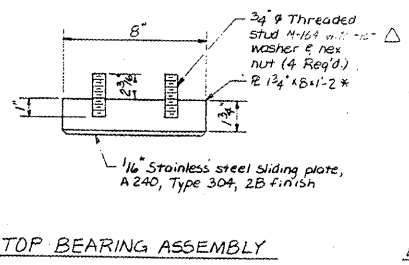
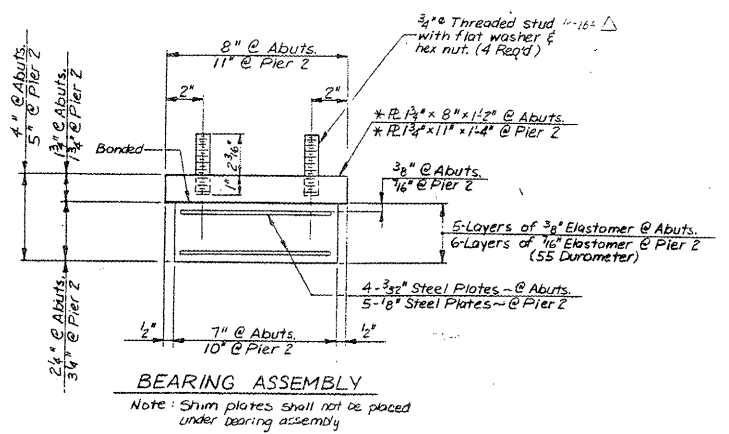
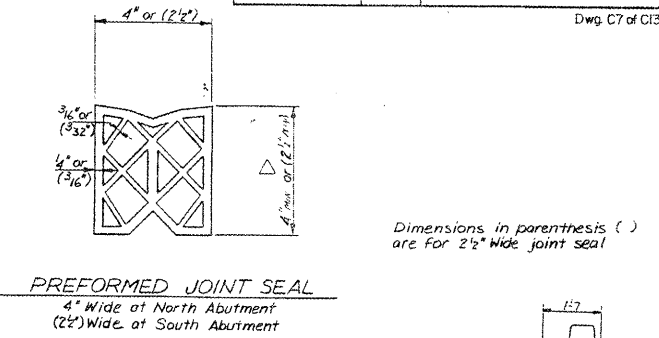
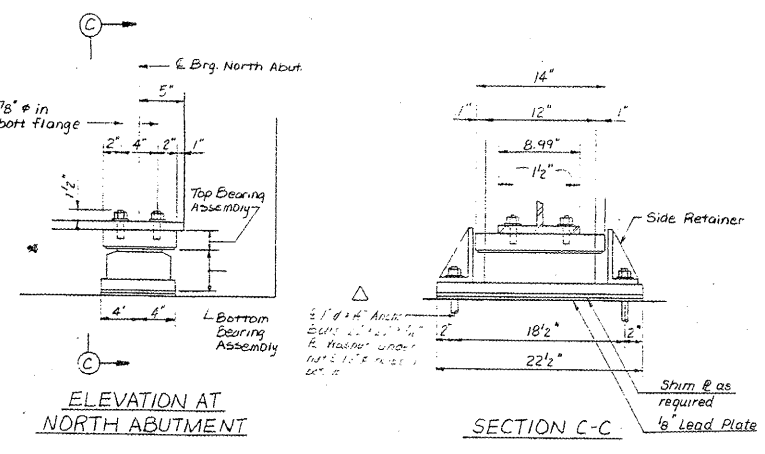
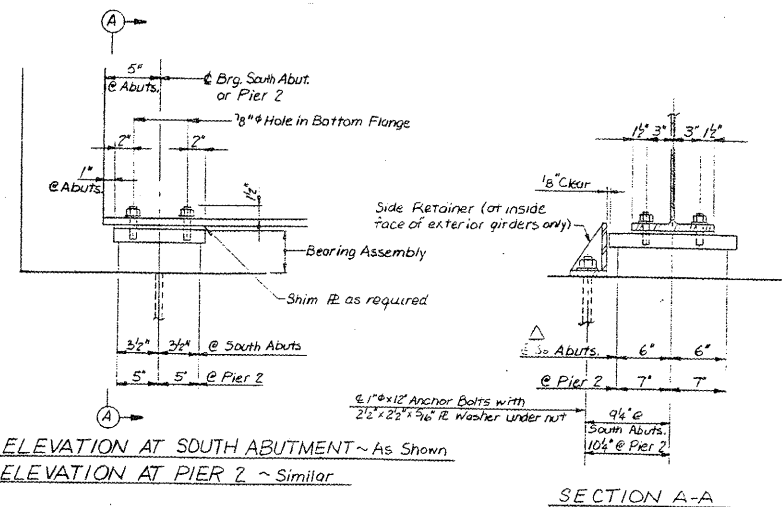


STATE OF ILLINOIS
DEPARTMENT OF TRANSPORTATION

FAP ROUTE NO.	SECTION NO.	COUNTY	TOTAL SHEETS	SHEET NO.
412	50-1VB	LASALLE		34
FED. ROAD DIST. NO. 7 ILLINOIS		Dwg C7 of C13		



For General Notes see Dwg No. C1
* Denotes AASHTO M223, Gr. 50 Steel

EXPANSION JOINT AND BEARING DETAILS				
F.A.P. ROUTE 412 OVER CONRAIL RAILROAD				
F.A.P. 412-SECTION 50-1VB				
LASALLE COUNTY				
STA. 565+86.08				
STRUCTURE NUMBERS 050-0210(SB) & 050-0211(NB)				
Designed by	MCB	Checked by	JHE	Drawing No.
Drawn by	JHE	Checked by	JHE	C7
Date	JUNE 16, 1987	HDR Infrastructure, Inc. A Centerra Company		

FOR INFORMATION ONLY

FILE NAME =	USER NAME = woodshankr1	DESIGNED - RON WOODSHANK	REVISED -
es:\pwwork\PW100T\WOODSHANKR\dwg\61013	366878 - 050210 & 0211-detail.dgn	DRAWN - RON WOODSHANK	REVISED -
PLOT SCALE = 50.0000' / IN.		CHECKED -	REVISED -
PLOT DATE = Dec 09, 2008 - 08:08:19 AM		DATE -	REVISED -

STATE OF ILLINOIS
DEPARTMENT OF TRANSPORTATION

EXISTING STRUCTURE PLANS

F.A.P. RTE.	SECTION	COUNTY	TOTAL SHEETS	SHEET NO.
39	(50-1VB)BP	LASALLE	11	11
FED. ROAD DIST. NO. ILLINOIS			CONTRACT NO. 66878	

SCALE: SHEET NO. 5 OF 5 SHEETS STA. 565+17.75 TO STA. 566+55.92