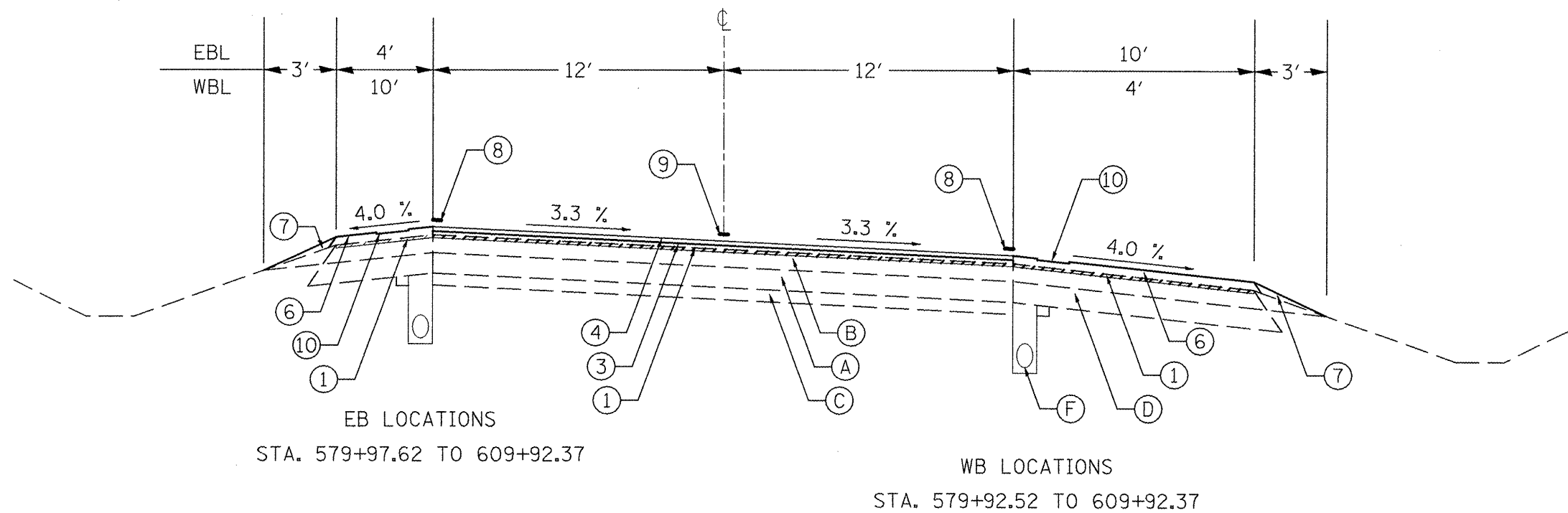


- LEGEND - EXISTING**
- (A) PCC PAVEMENT (7" EB, 10" WB & RAMPS)
  - (B) 4 1/2" - 5" BIT. OVERLAY
  - (C) SUB-BASE GRAN. MAT., TYPE A
  - (D) BITUMINOUS SHOULDER
  - (E) COMB. CONC. CURB & GUTTER TYPE B-9.06
  - (F) PIPE UNDERDRAIN
  - (G) STEEL PLATE BEAM GUARDRAIL
  - (H) BITUMINOUS PAVEMENT



- LEGEND - PROPOSED**
- (1) HMA SURFACE REMOVAL, 1-1/2"
  - (2) SHOULDER REMOVAL, 8"
  - (3) HMA BINDER CSE., 2-1/4"
  - (4) HMA SURFACE CSE., 1-1/2"
  - (5) HMA LEVELING BINDER, 3/4"
  - (6) HMA SHOULDER, 3-3/4"
  - (7) AGGREGATE SHOULDER, TYPE B
  - (8) EPOXY PAVEMENT MARKING
  - (9) PREFORMED PLASTIC PAVEMENT MARKING, TYPE B
  - (10) SHOULDER RUMBLE STRIP
  - (11) STRIP REFLECTIVE CRACK CONTROL TREATMENT SYSTEM A

FILE NAME = 68602 PLANS .dgn  
 USER NAME = taraja

DESIGNED -  
 DRAWN -  
 CHECKED -  
 DATE -

REVISED -  
 REVISED -  
 REVISED -  
 REVISED -

**STATE OF ILLINOIS  
 DEPARTMENT OF TRANSPORTATION**

TYPICAL SECTIONS - MAINLINE  
 SCALE: SHEET NO. 1 OF 5 SHEETS STA. TO STA.

F.A.I. RTE.	SECTION	COUNTY	TOTAL SHEETS	SHEET NO.
74	48(2)RS-3; (2)HB-5(I), I-1)	KNOX	104	9
CONTRACT NO. 68062			ILLINOIS FED. AID PROJECT	