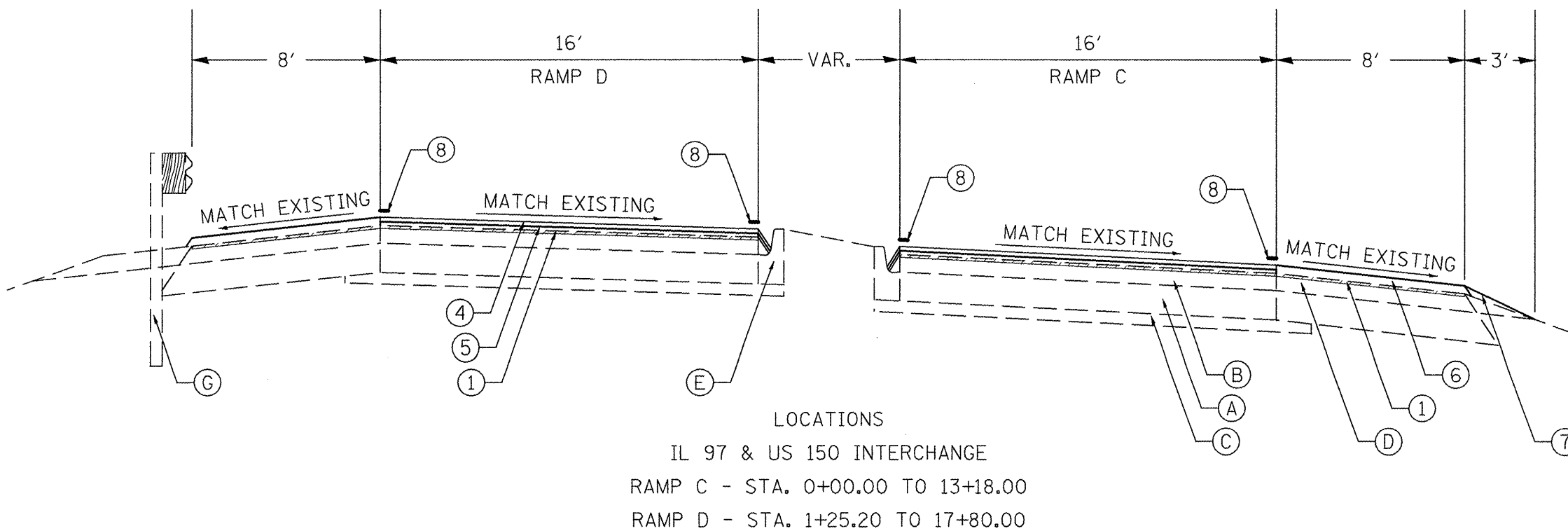


- LEGEND - EXISTING**
- (A) PCC PAVEMENT (7" EB, 10" WB & RAMPS)
 - (B) 4 1/2" - 5" BIT. OVERLAY
 - (C) SUB-BASE GRAN. MAT., TYPE A
 - (D) BITUMINOUS SHOULDER
 - (E) COMB. CONC. CURB & GUTTER TYPE B-9.06
 - (F) PIPE UNDERDRAIN
 - (G) STEEL PLATE BEAM GUARDRAIL
 - (H) BITUMINOUS PAVEMENT



- LEGEND - PROPOSED**
- (1) HMA SURFACE REMOVAL, 1-1/2"
 - (2) SHOULDER REMOVAL, 8"
 - (3) HMA BINDER CSE., 2-1/4"
 - (4) HMA SURFACE CSE., 1-1/2"
 - (5) HMA LEVELING BINDER, 3/4"
 - (6) HMA SHOULDER, 3-3/4"
 - (7) AGGREGATE SHOULDER, TYPE B
 - (8) EPOXY PAVEMENT MARKING
 - (9) PREFORMED PLASTIC PAVEMENT MARKING, TYPE B
 - (10) SHOULDER RUMBLE STRIP
 - (11) STRIP REFLECTIVE CRACK CONTROL TREATMENT SYSTEM A

FILE NAME = 68602 PLANS .dgn

USER NAME = torojs

PLOT SCALE = 40.0000 / IN.

PLOT DATE = 12/12/2008

DESIGNED -	REVISED -
DRAWN -	REVISED -
CHECKED -	REVISED -
DATE -	REVISED -

**STATE OF ILLINOIS
DEPARTMENT OF TRANSPORTATION**

TYPICAL SECTIONS - MAINLINE & RAMPS

SCALE: SHEET NO. 2 OF 5 SHEETS STA. TO STA.

F.A.I. RTE.	SECTION	COUNTY	TOTAL SHEETS	SHEET NO.
74	48(27RS-3; (27HB-5)I, 1-1)	KNOX	104	10
FED. ROAD DIST. NO. ILLINOIS FED. AID PROJECT			CONTRACT NO. 68062	