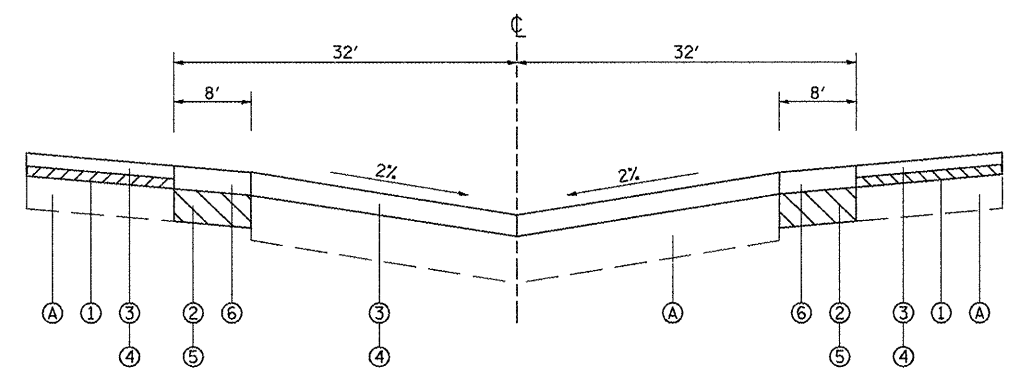
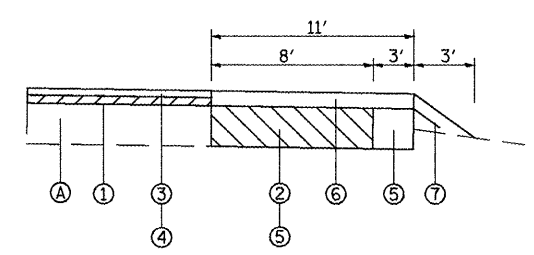


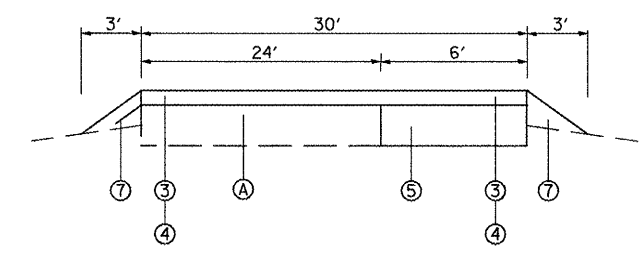
MEDIAN TURNAROUND DETAIL
STATION 597+75



SECTION A-A



SECTION B-B



SECTION C-C

LEGEND

- Ⓐ EXISTING PAVEMENT
- ① PROPOSED HMA SURFACE REMOVAL, 1-1/2"
- ② PROPOSED SHOULDER REMOVAL
- ③ PROPOSED HMA BINDER COURSE, 2-1/4"
- ④ PROPOSED HMA SURFACE COURSE, 1-1/2"
- ⑤ PROPOSED HMA BASE COURSE, 8"
- ⑥ PROPOSED HMA SHOULDER, 3-3/4"
- ⑦ PROPOSED AGGREGATE SHOULDER, TYPE B

- NOTES**
- 1) REMOVAL OF EXISTING AGGREGATE SHOULDERS AND WIDENING EXCAVATION ARE INCIDENTAL TO THE COST OF PROPOSED 8" HOT-MIX ASPHALT BASE COURSE.
 - 2) OMIT RUMBLE STRIPS ON SHOULDERS WITHIN THESE LIMITS.

FILE NAME = 68602 PLANS .dgn	USER NAME = toro.ja	DESIGNED -	REVISED -	STATE OF ILLINOIS DEPARTMENT OF TRANSPORTATION	MEDIAN TURNAROUND DETAIL STA. 597+75		F.A.I. RTE.	SECTION	COUNTY	TOTAL SHEETS	SHEET NO.
	PLLOT SCALE = 40.0000' / IN.	DRAWN -	REVISED -				74	48(27RS-3; (27HB-5)I, I-1)	KNOX	104	25
	PLLOT DATE = 12/12/2006	CHECKED -	REVISED -	NOT TO SCALE SHEET NO. 1 OF 1 SHEETS STA. 597+75		CONTRACT NO. 68062		FED. ROAD DIST. NO. ILLINOIS FED. AID PROJECT			