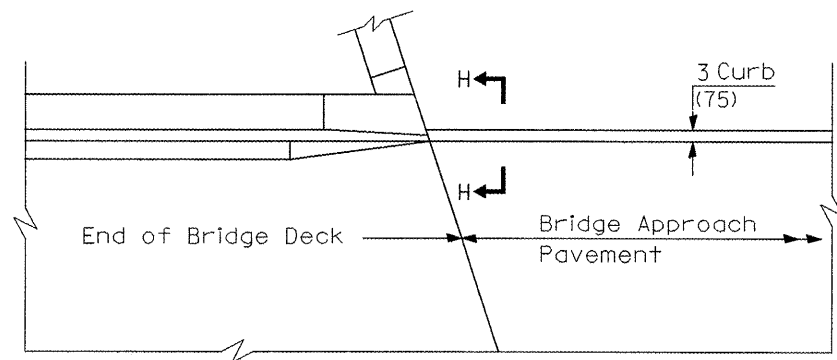
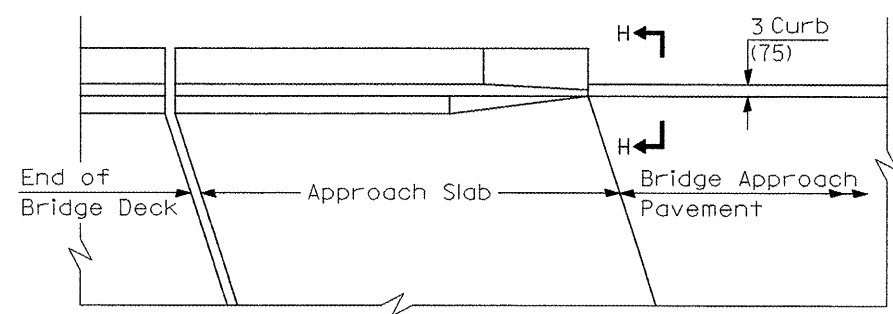


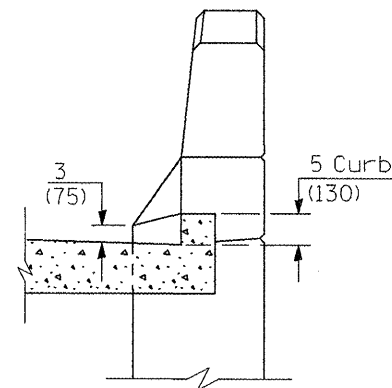
**PARAPET TO CURB TRANSITION
PILE BENT ABUTMENT**



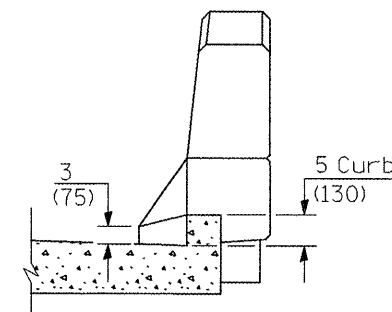
**PARAPET TO CURB TRANSITION
INTEGRAL ABUTMENT**



**PARAPET TO CURB TRANSITION
VAULTED ABUTMENT**



SECTION I - I



SECTION H - H

FILE NAME = As Submitted_Roadway Plans.dgn	USER NAME = tar-oja	DESIGNED - OWR	REVISED - N/A
		DRAWN - OWR	REVISED - N/A
		CHECKED - FML	REVISED - N/A
		DATE - OCTOBER, 2008	REVISED - N/A

**STATE OF ILLINOIS
DEPARTMENT OF TRANSPORTATION**

**BRIDGE APPROACH PAVEMENT
I-74 OVER TOWNSHIP ROAD 205**

SCALE: ----- SHEET NO. -- OF -- SHEETS STA. 532+00.00 TO STA. 590+88.88

F.A.I. RTE.	SECTION	COUNTY	TOTAL SHEETS	SHEET NO.
74	48(27RS-3); (27HB-5)I, I-1	KNOX	104	39
FED. ROAD DIST. NO. 4 ILLINOIS			CONTRACT NO. 68062	
FED. AID PROJECT 68062				