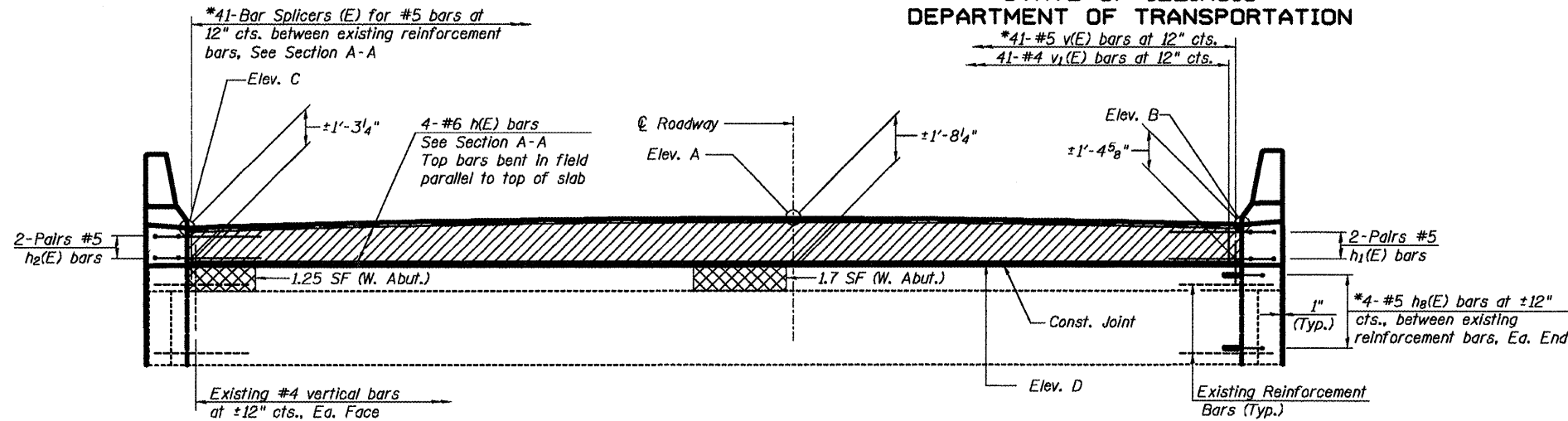


STATE OF ILLINOIS  
DEPARTMENT OF TRANSPORTATION



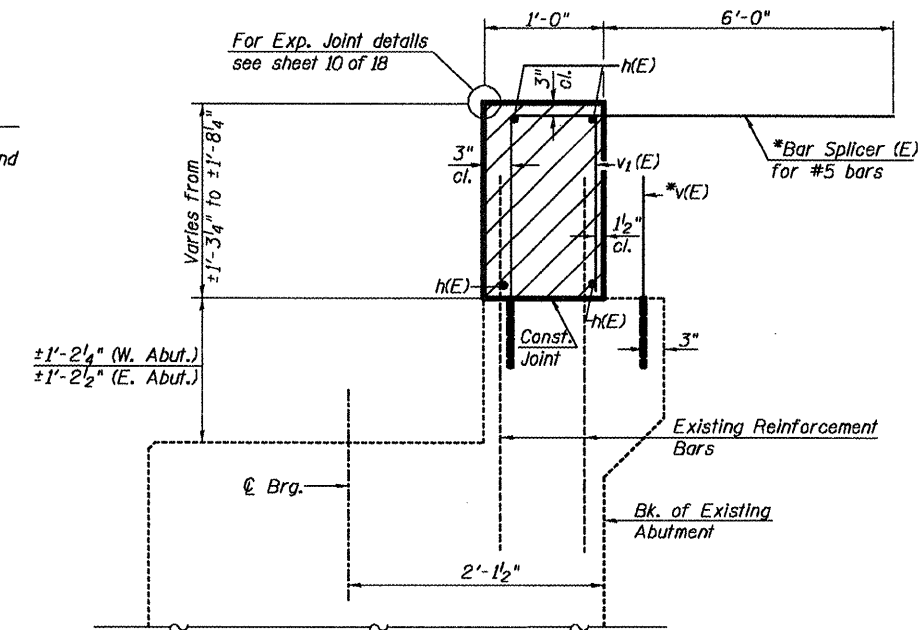
**ELEVATION**

E. Abut. (Looking East)  
W. Abut. (Looking West)

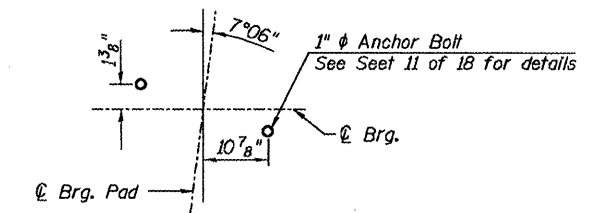
\*Epoxy Grout v(E) and h<sub>2</sub>(E) bars and Bar Splicers min. 9" deep in field drilled holes in accordance with Section 584 of the Standard Specifications.

**ELEVATION TABLE**

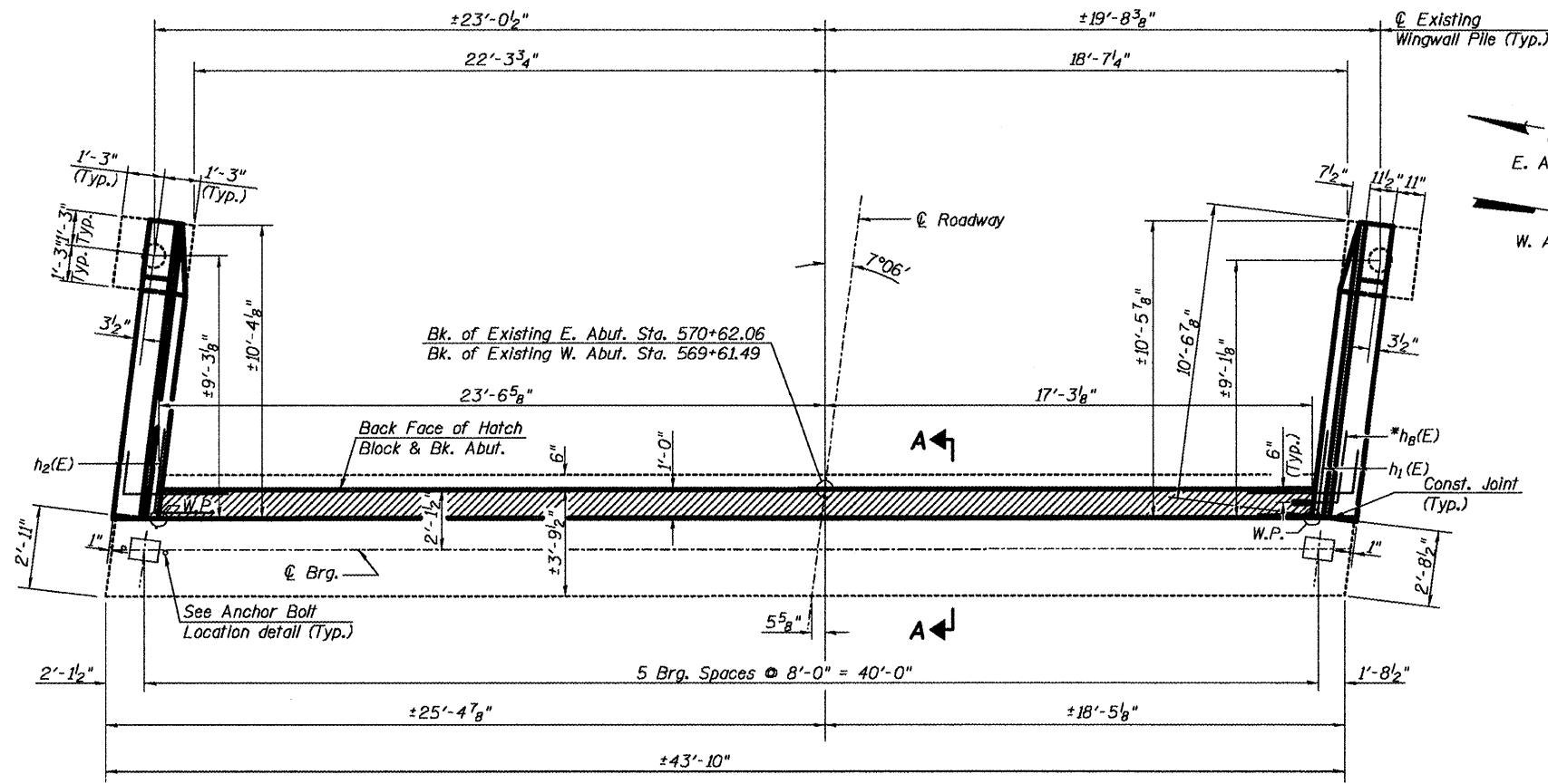
| Location | Elev. A | Elev. B | Elev. C | Elev. D |
|----------|---------|---------|---------|---------|
| E. Abut. | 750.63  | 750.34  | 750.20  | ±748.92 |
| W. Abut. | 750.27  | 749.97  | 749.86  | ±748.61 |



**SECTION A-A**



**ANCHOR BOLT LOCATION**



**PLAN**

Notes:  
For clarity existing piles in abutment cap are not shown.  
Hatched area to be poured after superstructure false work has been removed. Quantity of Concrete is included with Concrete Superstructure on Sheet 9 of 18.  
Existing reinforcement shall be cleaned and incorporated into the new construction. Cost included with Concrete Removal. See Sheet 18 of 18 for Bar Splicer Details.  
Work this sheet with Sheet 15 of 18.

⊗ Indicates Structural Repair of Concrete (Depth Equal To or Less Than 5 in).

**ABUTMENT MODIFICATIONS -1**  
**(EAST ABUTMENT - NORTH STRUCTURE)**  
**(WEST ABUTMENT - SOUTH STRUCTURE)**  
**I-74 OVER TOWNSHIP ROAD 205**  
**F.A.I. RTE. 74 - SEC. 48-(27HB-5)I,I-1**  
**KNOX COUNTY**  
**STATION 570+11.72**  
**STRUCTURE NO. 048-0011 (WB), 0012 (EB)**

|  |              |                    |                          |   |                  |              |
|--|--------------|--------------------|--------------------------|---|------------------|--------------|
| <br>LIN ENGINEERING, L.T.D.<br>Consulting Engineers<br>Chatham, Illinois<br><small>Designed By ESH    Checked By MTH    Drawn By ESH</small><br><small>Date: 12/2006    File: 048-0011.DWG</small> | SHEET NO. 13 | F.A.I. RTE. 74     | SECTION 48-(27HB-5)I,I-1 | COUNTY KNOX                                   | TOTAL SHEETS 104 | SHEET NO. 52 |
|  | 18 SHEETS    | CONTRACT NO. 68062 |                          | FED. ROAD DIST. NO. ILLINOIS FED. AID PROJECT |                  |              |