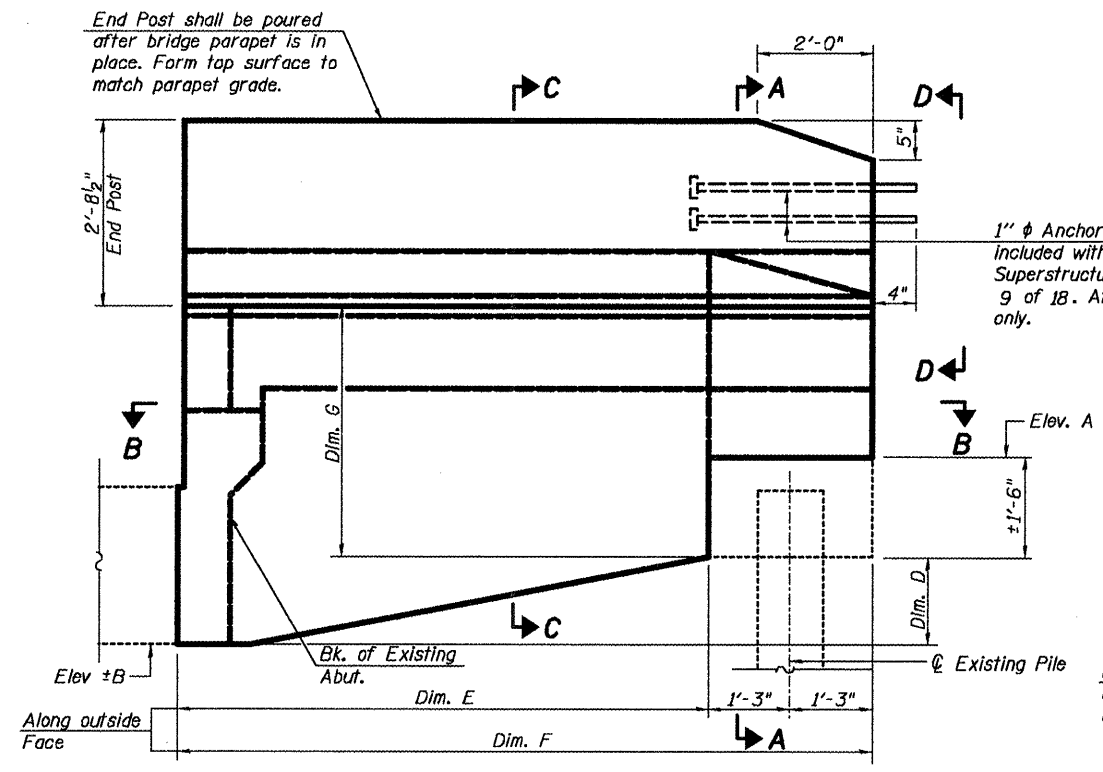


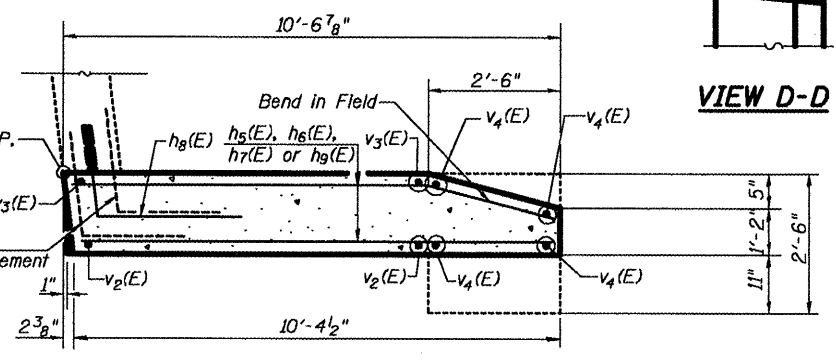
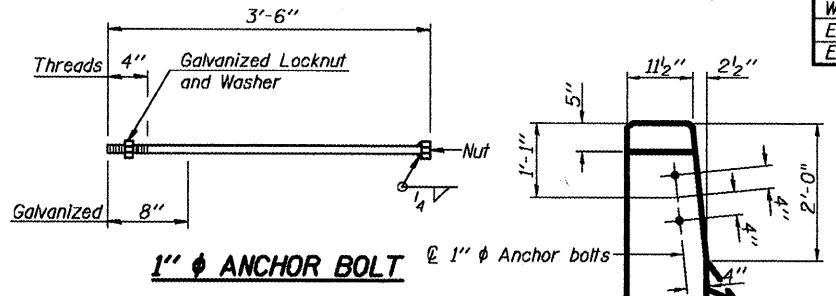
STATE OF ILLINOIS
DEPARTMENT OF TRANSPORTATION

ELEVATION & DIMENSION TABLE

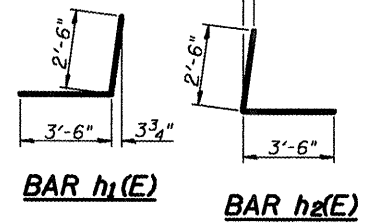
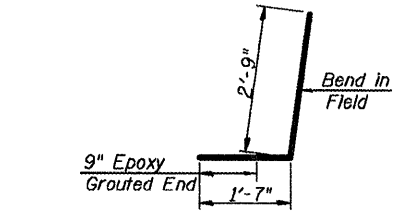
Location	Elev. A	Elev. B	Dim. C	Dim. ±D	Dim. E	Dim. F	Dim. G
W. Abut. N. Wing	747.53	744.54	2'-4 1/2"	1'-5 7/8"	7'-11 7/8"	10'-5 7/8"	3'-10 1/4"
W. Abut. S. Wing	747.59	744.54	2'-5 3/8"	1'-6 3/8"	8'-0"	10'-6"	3'-11 3/8"
E. Abut. N. Wing	748.06	745.95	2'-5 3/8"	1'-7 3/8"	8'-0"	10'-6"	3'-11 3/8"
E. Abut. S. Wing	748.04	745.95	2'-4 5/8"	1'-7 3/8"	7'-11 7/8"	10'-5 7/8"	3'-10 5/8"



WINGWALL ELEVATION
(Showing Dimensions)

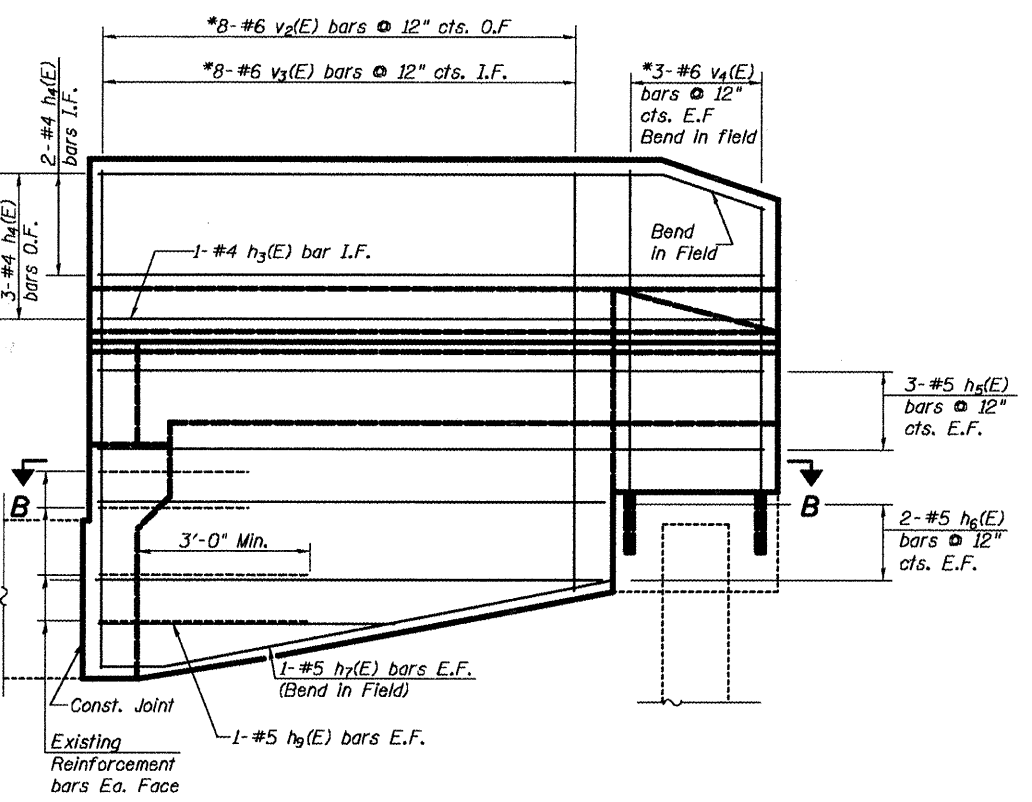


SECTION B-B

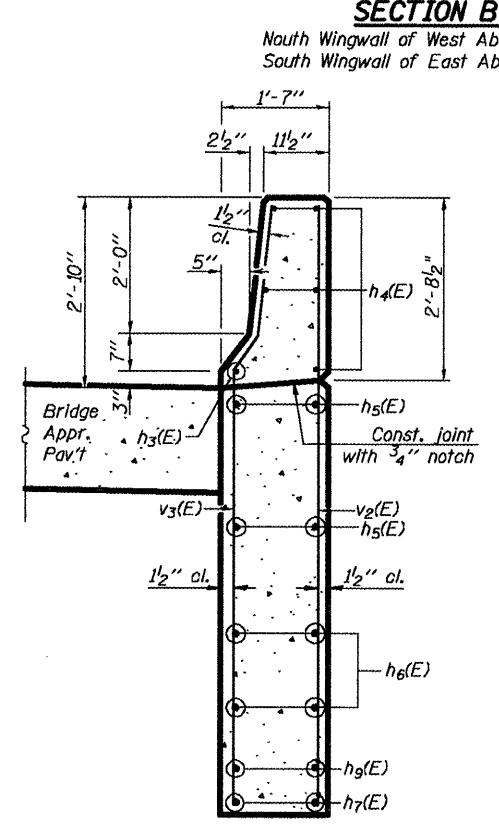


BILL OF MATERIAL
(Both Abutments)

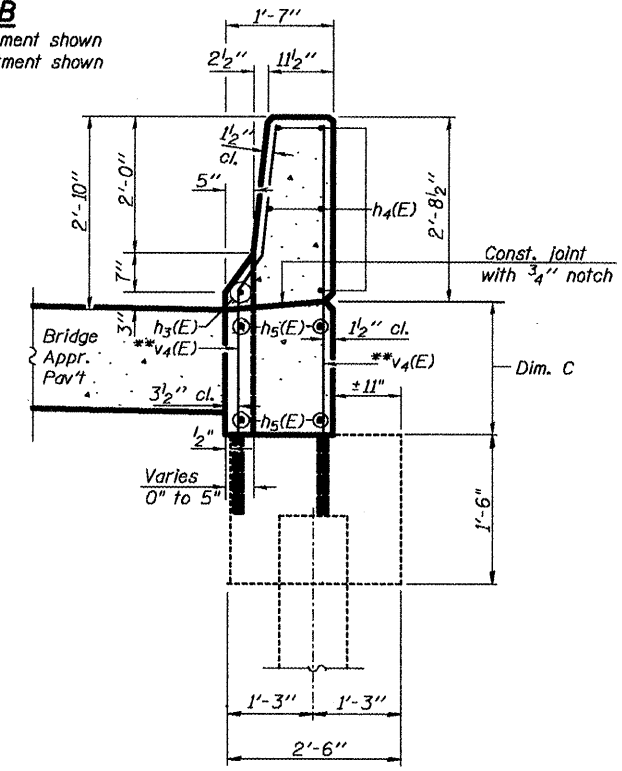
Bar	No.	Size	Length	Shape
h ₁ (E)	8	#6	40'-6"	—
h ₁ (E)	8	#5	6'-0"	└
h ₂ (E)	8	#5	6'-0"	└
h ₃ (E)	4	#4	10'-3"	—
h ₄ (E)	20	#4	10'-3"	—
h ₅ (E)	24	#5	10'-3"	—
h ₆ (E)	16	#5	7'-9"	—
h ₇ (E)	8	#5	7'-11"	—
h ₈ (E)	16	#5	4'-4"	└
h ₉ (E)	8	#5	4'-4"	—
v(E)	82	#5	2'-2"	—
v ₁ (E)	82	#4	1'-0"	—
v ₂ (E)	32	#6	8'-1"	—
v ₃ (E)	32	#6	8'-1"	—
v ₄ (E)	24	#6	6'-0"	—
Structure Excavation		Cu. Yd.		62
Concrete Structures		Cu. Yd.		10.3
Reinforcement Bars, Epoxy Coated		Pound		2540
Concrete Sealer		Sq. Ft.		482
Structural Repair of Concrete (Depth Equal To or Less Than 5 in.)		Sq. Ft.		3.2



WINGWALL ELEVATION
(Showing Reinforcement)

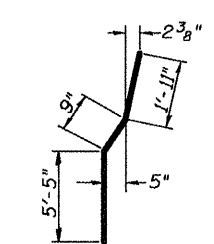
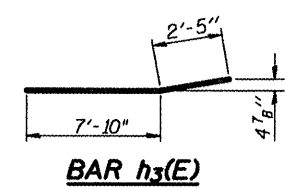


SECTION C-C



SECTION A-A

**Epoxy Grout v₄(E) bars min. 9" deep in field drilled holes in accordance with Section 5B4 of the Standard Specifications.



* Cut to fit.

Notes:
Quantity of concrete in end post included with Concrete Superstructure on sheet 9 of 18.

ABUTMENT DETAILS - 2
(WEST ABUTMENT - NORTH STRUCTURE)
(EAST ABUTMENT - SOUTH STRUCTURE)
I-74 OVER TOWNSHIP ROAD 205
E.A.I. RTE. 74 - SEC. 48-(27HB-5)I-1
KNOX COUNTY
STATION 570+11.72
STRUCTURE NO. 048-0011 (WB), 0012 (EB)

<p>LIN ENGINEERING, L.T.D. Consulting Engineers Chatham, Illinois</p>	SHEET NO. 16	F.A.I. RTE. 74	SECTION 48-(27HB-5)I-1	COUNTY KNOX	TOTAL SHEETS 104	SHEET NO. 55
	18 SHEETS	CONTRACT NO. 68062		FED. ROAD DIST. NO. ILLINOIS FED. AID PROJECT		