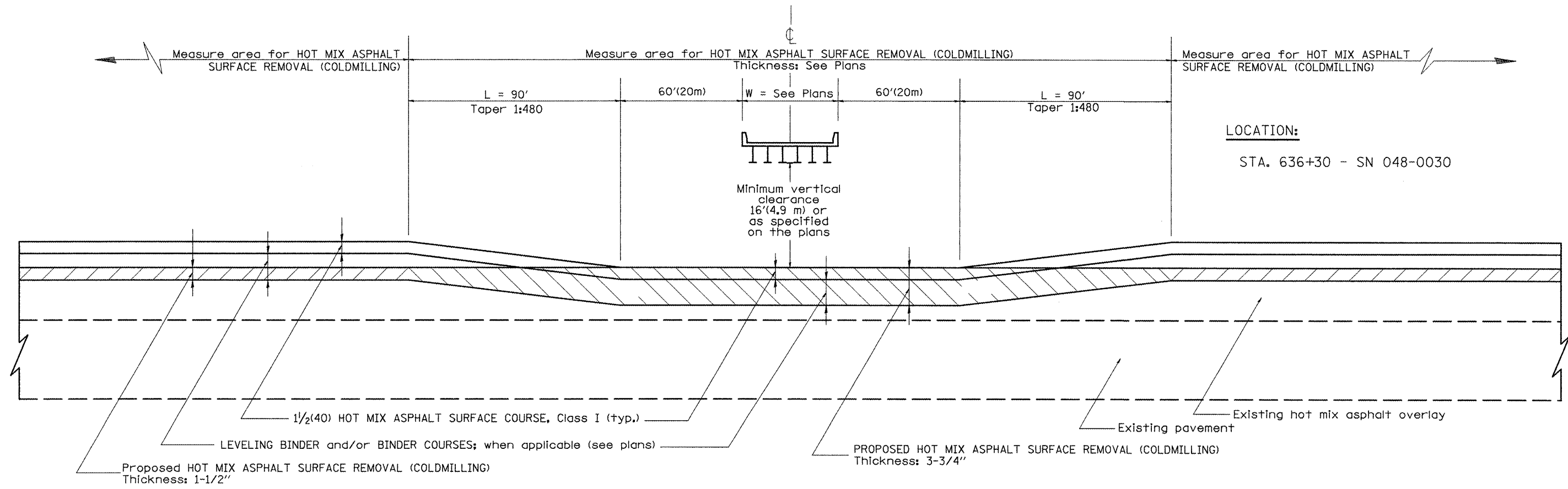
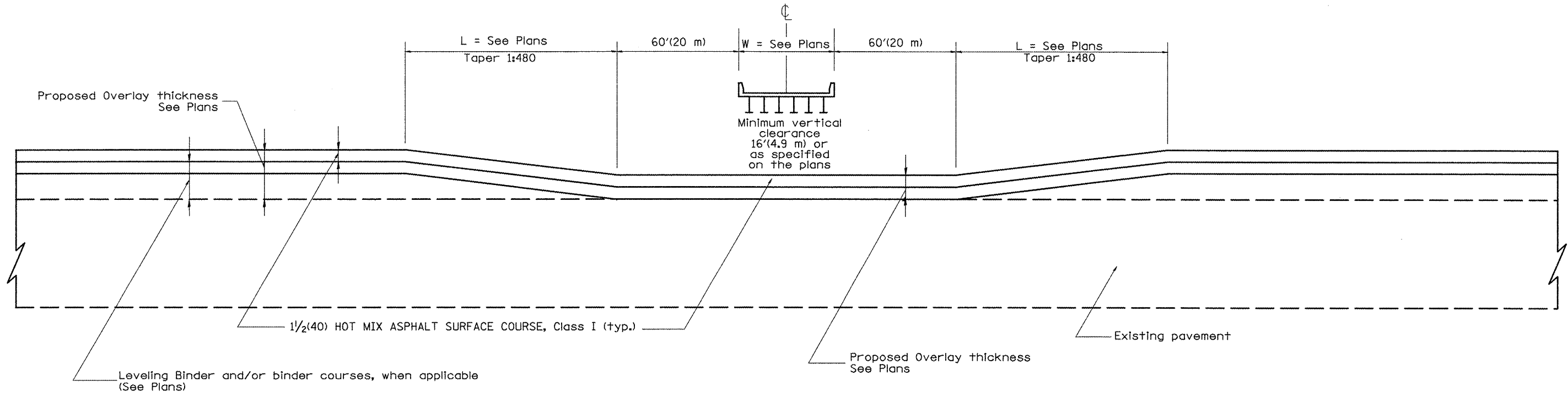


DESIGNER NOTES:
 1. THIS TREATMENT SHOULD ONLY BE USED WHERE NECESSARY TO MAINTAIN MINIMUM VERTICAL CLEARANCE.
 2. THE PREFERRED TREATMENT IS FULL DEPTH OVERLAY. CHECK WITH YOUR PROJECT ENGINEER PRIOR TO USING.
 3. INCLUDE DISTRICT SPECIAL PROVISION FOR HOT MIX ASPHALT SURFACE REMOVAL (COLD MILLING).



CASE 1: WITH HOT MIX ASPHALT SURFACE REMOVAL (COLD MILLING)



CASE 2: NO HOT MIX ASPHALT SURFACE REMOVAL (COLD MILLING)

All dimensions are in inches (millimeters) unless otherwise noted.

01-01-97	RENUM. C-23.03, NEW REVISION BOX	T.P.
10-16-06	REVISED TO 2007 SPEC.	M.A.

STATE OF ILLINOIS
DEPARTMENT OF TRANSPORTATION

PAVEMENT OVERLAY UNDER STRUCTURES
SPECIAL TREATMENT

NOT TO SCALE

CADD STD. 406001-D4

F.A.I. RTE.	SECTION	COUNTY	TOTAL SHEETS	SHEET NO.
74	48(27RS-3; (27HB-5)I, I-1)	KNOX	104	91
FED. ROAD DIST. NO. ILLINOIS FED. AID PROJECT			CONTRACT NO. 68062	