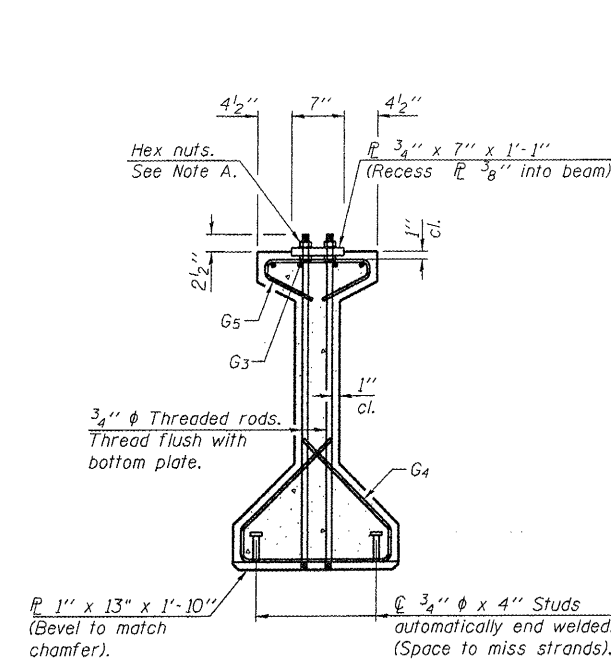
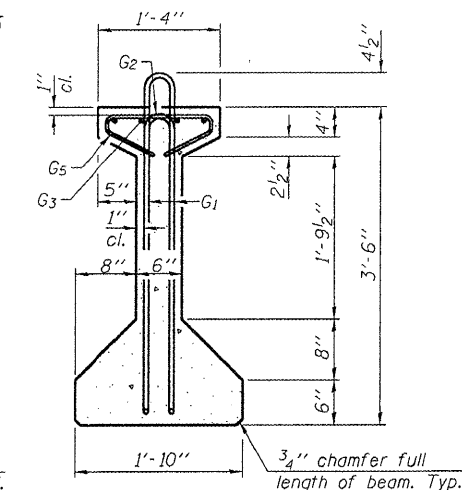


ELEVATION OF BEAM
(Showing reinforcement & dimensions)

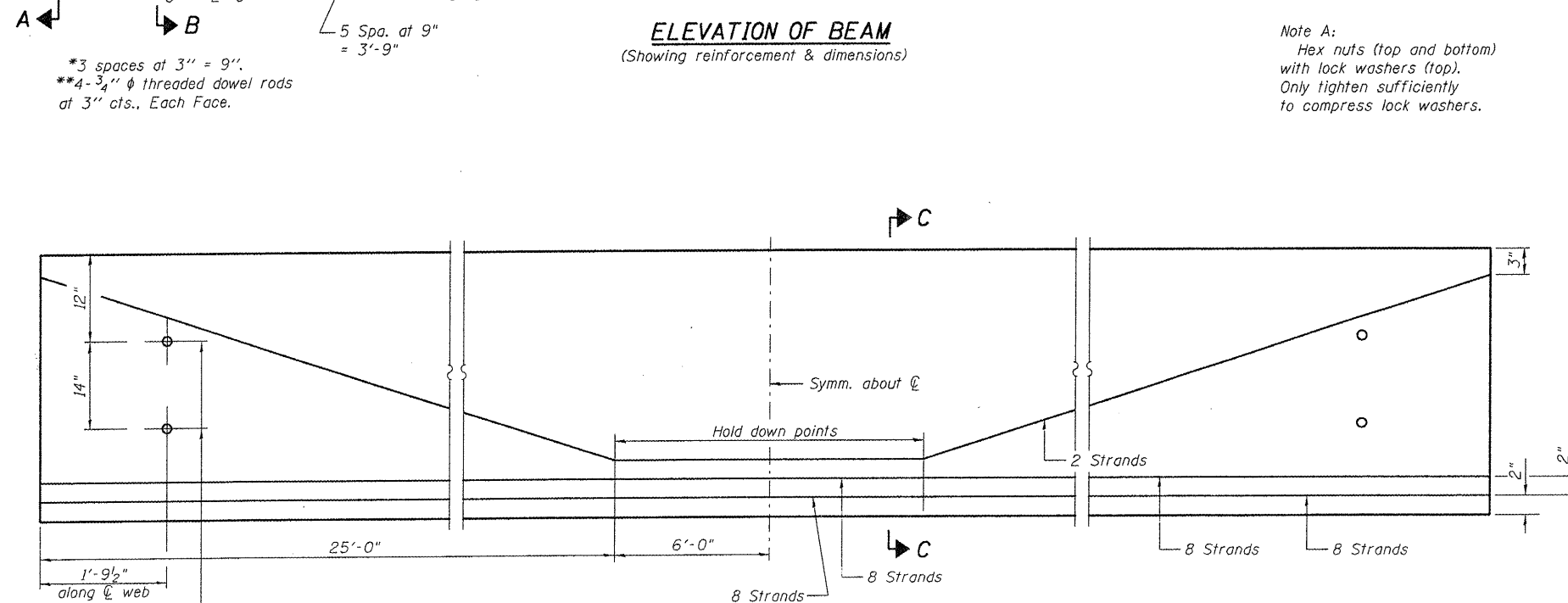
Note A:
Hex nuts (top and bottom) with lock washers (top). Only tighten sufficiently to compress lock washers.



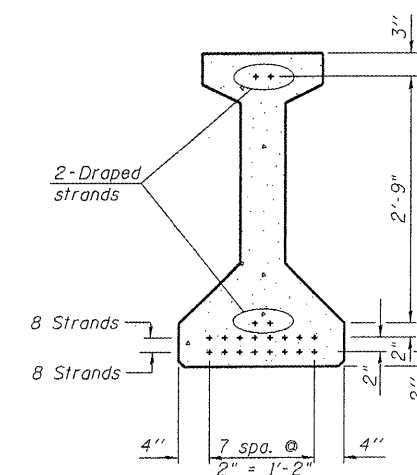
SECTION A-A



SECTION B-B



ELEVATION OF BEAM
(Showing prestressing steel)



SECTION C-C

*****BAR LIST
ONE BEAM ONLY**

Bar	No.	Size	Length	Shape
G ₁	45	#4	8'-5"	⌈⌋
G ₂	10	#4	6'-8"	⌈⌋
G ₃	8	#6	32'-2"	⌈⌋
G ₄	38	#3	4'-11"	⌈⌋
G ₅	62	#3	2'-6"	⌈⌋

***For information only

Notes:
See sheet 13 of 24 for additional details and Bill of Material.
Required release strength, f'ci, shall be 5000 psi.

ILLINOIS DEPARTMENT OF TRANSPORTATION
PPC I-BEAM DETAILS - 1
U.S. 150 OVER LITTLE FARM CREEK
F.A.U. ROUTE 6757 SECTION (105B)BR-3
TAZEWELL COUNTY
STA. 89+80.58
S.N. 090-0176

REVISIONS

NAME	DATE

Lin Engineering, Ltd.
Consulting Engineers
Chattanooga, Illinois

Designed By: RKW Checked By: DLS Drawn By: AIF
Date: 10/07 File: 090-0176.DWG

FILE ABBREVS

TIME\$

DATES