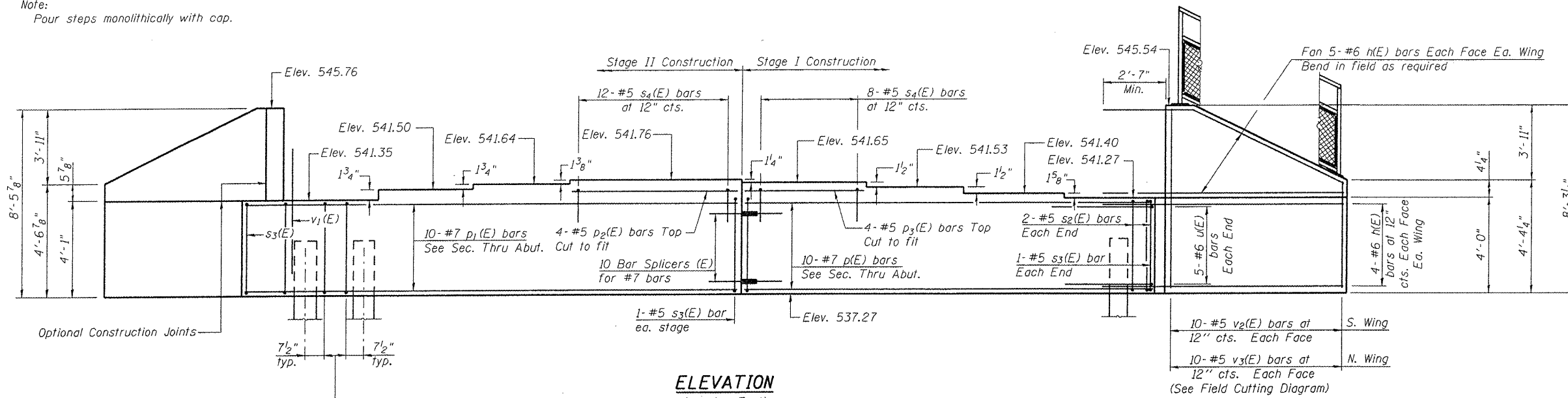


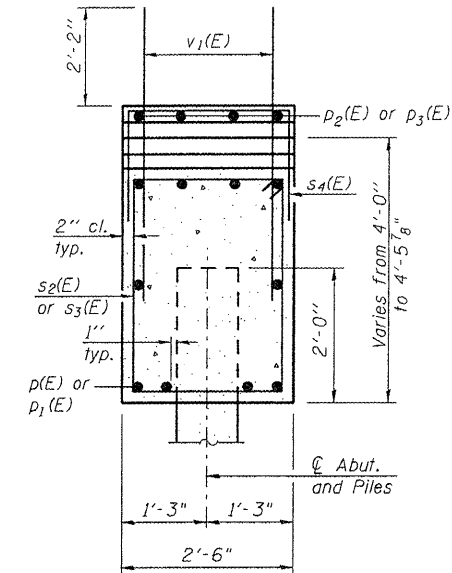
Note:
Pour steps monolithically with cap.

ROUTE NO.	SECTION	COUNTY	TOTAL SHEETS	SHEET NO.	SHEET NO. 15 24 SHEETS
FAU 6757 (US 150)	(105B) BR-3	Tazewell	133	83	
FED. ROAD DIST. NO. 7	ILLINOIS	FED. AID PROJECT			

Contract #68086



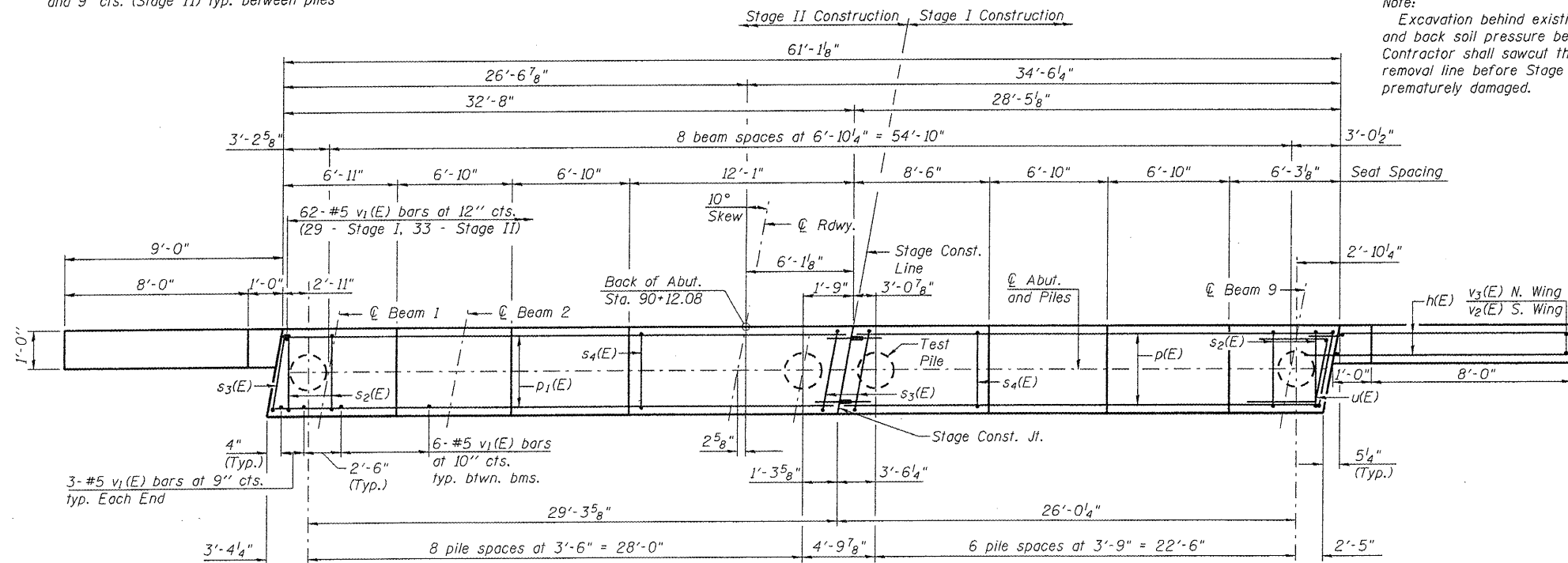
ELEVATION
(Looking East)



SEC. THRU ABUT.
(Dimensions at Rt. L's)

Note:
Excavation behind existing abutment walls shall be performed to balance front and back soil pressure before removing the existing superstructure. The Contractor shall sawcut the upper portion of the existing abutment at the stage removal line before Stage I removal to ensure the remaining portion will not be prematurely damaged.

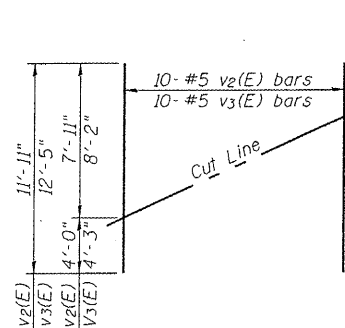
4-#5 s₂(E) bars at 10" cts. (Stage I) and 9" cts. (Stage II) typ. between piles



PLAN

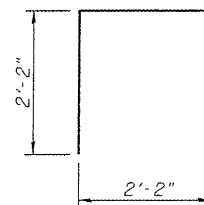
PILE DATA

Type: Metal Shell - 12" φ x .25 in. Walls
Nominal Required Bearing: 270 kips
Allowable Resistance Available: 90 kips
Est. Length: 41 ft.
No. Production Piles: 15
No. Test Piles: 1

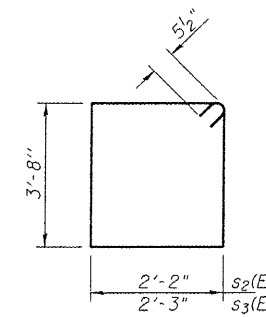


FIELD CUTTING DIAGRAM

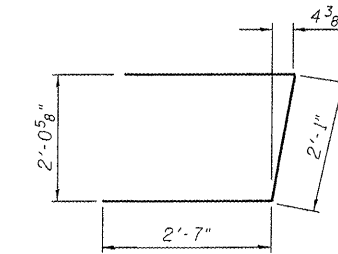
Order v₂(E) and v₃(E) full length. Cut as shown and use remainder of bars in opposite face.



BAR s₄(E)



BARS s₂(E) & s₃(E)



BAR u(E)

BILL OF MATERIAL
(East Abutment)

Bar	No.	Size	Length	Shape
h(E)	36	#6	11'-7"	—
p(E)	10	#7	28'-1"	—
p ₁ (E)	10	#7	32'-4"	—
p ₂ (E)	4	#5	12'-0"	—
p ₃ (E)	4	#5	8'-6"	—
s ₂ (E)	68	#5	12'-7"	□
s ₃ (E)	4	#5	12'-9"	□
s ₄ (E)	20	#5	6'-6"	□
u(E)	10	#6	7'-3"	∟
v ₁ (E)	116	#5	4'-4"	—
v ₂ (E)	10	#5	11'-11"	—
v ₃ (E)	10	#5	12'-5"	—
Structure Excavation	Cu. Yd.		227	
Concrete Structures	Cu. Yd.		28.6	
Reinforcement Bars, Epoxy Coated	Pound		3920	
Furnishing Metal Shell Piles, 12" x .25 in.	Foot		615	
Driving Piles	Foot		615	
Test Pile, Metal Shells	Each		1	

For details of Bar Splicers, see sheet 18 of 24.
For details of piles see sheet 19 of 24.
For drainage details, see sheet 2 of 24.

ILLINOIS DEPARTMENT OF TRANSPORTATION
EAST ABUTMENT
U.S. 150 OVER LITTLE FARM CREEK
F.A.U. ROUTE 6757 SECTION (105B)BR-3
TAZEWELL COUNTY
STA. 89+80.58
S.N. 090-0176

REVISIONS	
NAME	DATE

LIN ENGINEERING, LTD.
Consulting Engineers
Chatham, Illinois
 Designed By: RMW Checked By: DLS Drawn By: AIF
 Date: 10/07 File: 090-0176.DWG