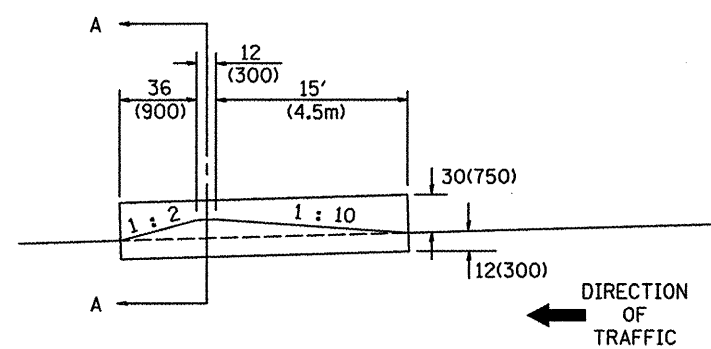
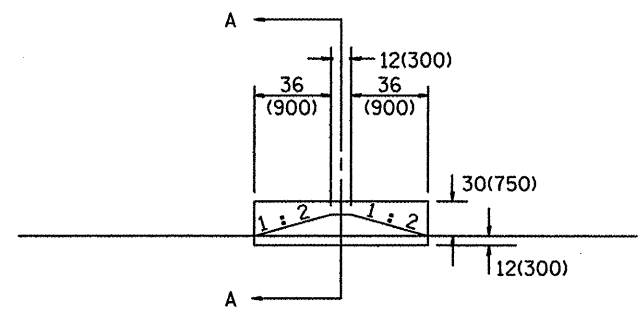


SECTION A - A

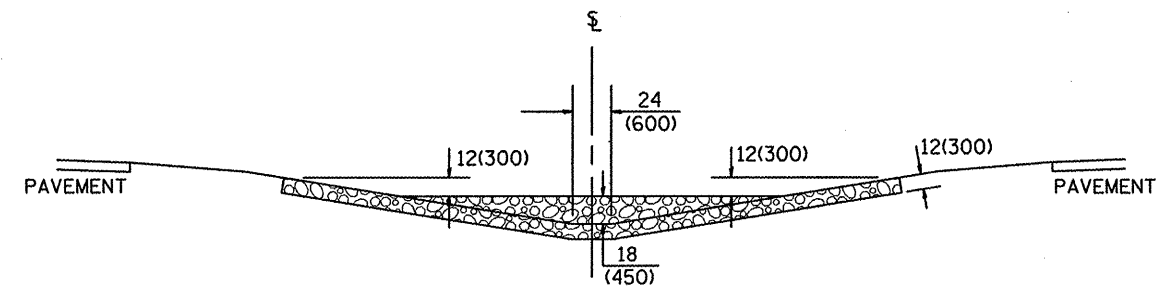


SIDE VIEW
(WITHIN CLEAR ZONE)

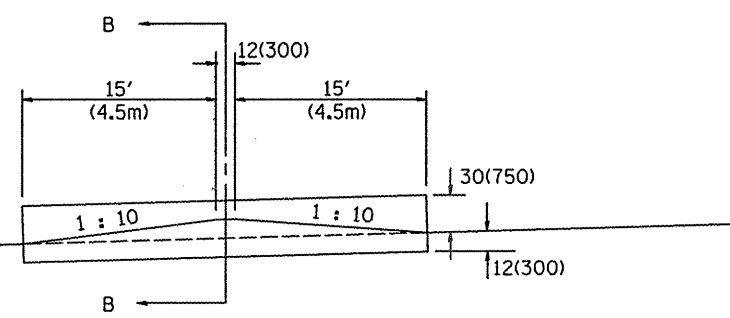


SIDE VIEW
(OUTSIDE OF CLEAR ZONE)

SIDE DITCH AGGREGATE DITCH CHECK



SECTION B - B



SIDE VIEW
MEDIAN AGGREGATE DITCH CHECK

ESTIMATE QUANTITIES

	FORE SLOPE	DITCH BOTTOM	BACK SLOPE	BERM SLOPE	AGGREGATE DITCH CHECK EROSION CONTROL METRIC (TON/TON)
MEDIAN DITCH	1 : 6	24(600)	—	1 : 10	95(86)
SIDE DITCH	1 : 6	24(600)	1 : 4	1 : 10 & 1 : 2	50(45)
SIDE DITCH	1 : 6	24(600)	1 : 4	1 : 2 & 1 : 2	19(17)
SIDE DITCH	1 : 4	24(600)	1 : 3	1 : 10 & 1 : 2	18(16)
SIDE DITCH	1 : 4	24(600)	1 : 3	1 : 2 & 1 : 2	14(13)

NOTES:

- FOR DITCH BOTTOM PROTECTED BY EXCELSIOR BLANKET, USE 400'(120m) SPACING. FOR SEEDED DITCH BOTTOM, USE 200'(60m) SPACING.
- THIS WORK CONSISTS OF THE COMPLETE INSTALLTION OF AGGREGATE DITCH CHECK AT LOCATIONS AS SHOWN ON THE PLANS, OR AS DIRECTED BY THE ENGINEER. THE AGGREGATE GRADATION SHALL BE RR3 WITH A MINIMUM QUALITY OF CLASS B.

All slope ratios are expressed as units of vertical displacement to units of horizontal displacement (V:H).
All dimensions are in Inches (millimeters) unless otherwise noted.

DESIGNER NOTES:
 1. Designer to modify this detail Special Detail Sheet, as needed, for inclusion in plans.
 2. Determine the required clear zone in order to select the berm slopes.
 3. Include State Standard 280001.

QUANTITIES	
CALC. BY: _____	DATE: _____
CHECKED BY: _____	DATE: _____
QUANTITY CALCULATIONS ARE ON FILE AT THE DISTRICT 4 OFFICE, BUREAU OF PROJECT IMPLEMENTATION, DOCUMENTATION SECTION	

FILE NAME = ...District Standards 200.dgn	USER NAME = Plotted by new6	DESIGNED -	REVISED -
PLOT SCALE = 100.0000 "/ IN.	DRAWN -	REVISIED -	REVISIED -
PLOT DATE = 7/29/2008	CHECKED -	REVISIED -	REVISIED -
	DATE -	REVISIED -	REVISIED -

STATE OF ILLINOIS
DEPARTMENT OF TRANSPORTATION

DISTRICT STANDARDS
US 150 OVER LITTLE FARM CREEK

SCALE: N.T.S. SHEET NO. OF SHEETS STA. TO STA.

DATE	REVISIONS	BY
1-1-97	RENUM. A-12.04, NEW REVISION BOX, REVISIED TITLE BOX, ADDED QUANTITY CALCULATION BOX	T.P.
9-15-05	REVISIED DESIGNER NOTE	M.M.A.
10-16-06	REVISIED RR3 QUALITY & TO 2007 SPEC.	M.A.

F.A.U. RTE.	SECTION	COUNTY	TOTAL SHEETS	SHEET NO.
6757	(105B) BR-2, (105B) BR-3	TAZEWELL	99	133
CONTRACT NO. 68086				

FED. ROAD DIST. NO. ILLINOIS FED. AID PROJECT

EROSION CONTROL AGGREGATE DITCH CHECK