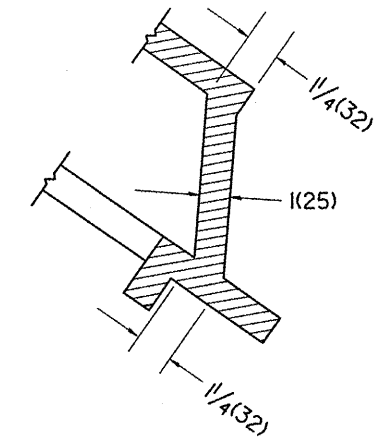
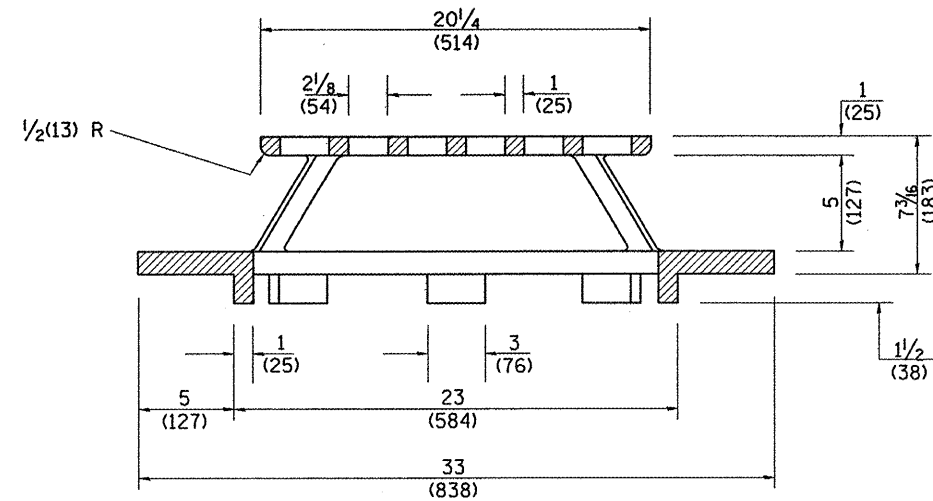


PLAN



SECTION B - B



SECTION A - A

**TYPE 37 GRATE**

**GENERAL NOTES**

- 1. MATERIAL - Cast Gray Iron  
Weight 209 lbs (95 kg)

All dimensions are in inches (millimeters) unless otherwise noted.

DATE	REVISIONS	BY
1-1-97	RENUM. B-10.02, NEW REVISION BOX	T.P.
10-16-06	REVISED TO 2007 SPEC.	M.A.

DESIGNER NOTE: 1. INCLUDE DISTRICT SPECIAL PROVISION.

FILE NAME = ...District Standards 604-611.dgn  
USER NAME = Plotted by new6  
PLOT SCALE = 100.0000 "/ IN.  
PLOT DATE = 7/29/2008

DESIGNED -  
DRAWN -  
CHECKED -  
DATE -  
REVISED -  
REVISED -  
REVISED -  
REVISED -

**STATE OF ILLINOIS  
DEPARTMENT OF TRANSPORTATION**

**DISTRICT STANDARDS  
US 150 OVER LITTLE FARM CREEK**

SCALE: N.T.S. SHEET NO. OF SHEETS STA. TO STA.

F.A.U. RTE. 6757 SECTION (105B) BR-2, (105B) BR-3 COUNTY TAZEWELL TOTAL SHEETS 112 SHEET NO. 133 CONTRACT NO. 68086  
FED. ROAD DIST. NO. [ILLINOIS] FED. AID PROJECT