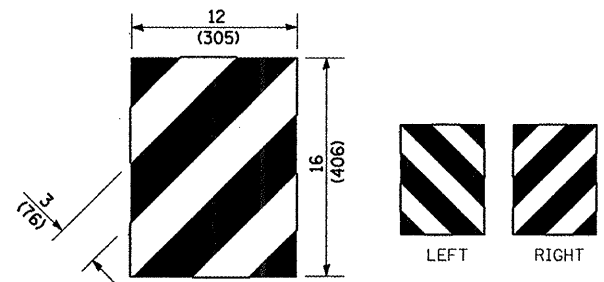


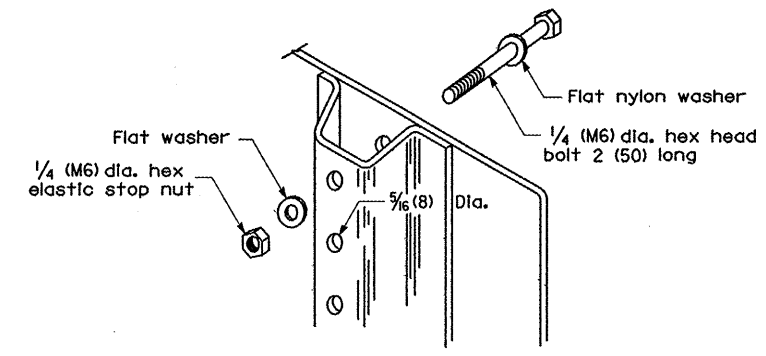
For Traffic Barrier Terminal Type 1 (Special)



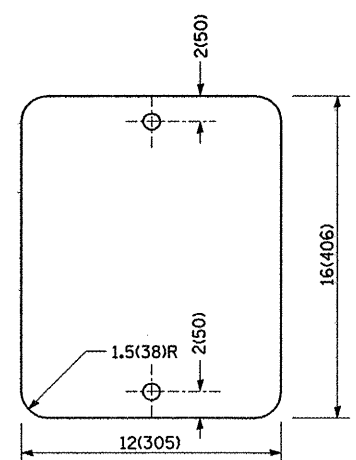
For Traffic Barrier Terminal Type (*) and Post Mount
* See Plans for Type

TERMINAL MARKER DETAILS

- Color: Black / Yellow reflectorized
- OM - I100 (L or R) Direct applied reflective sheeting
- OM - I200 (L or R) Post mounted

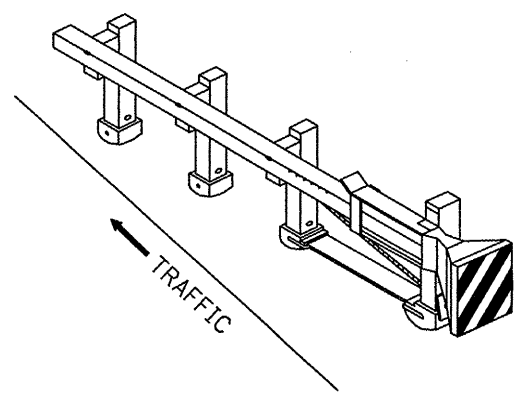


DETAIL OF MOUNTING TERMINAL MARKER TO POST

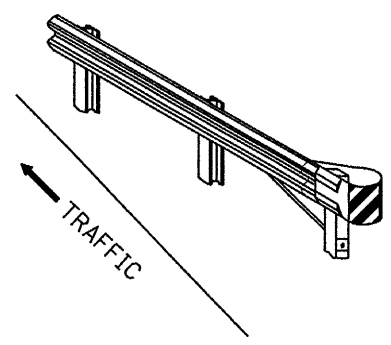


STANDARD TERMINAL MARKER

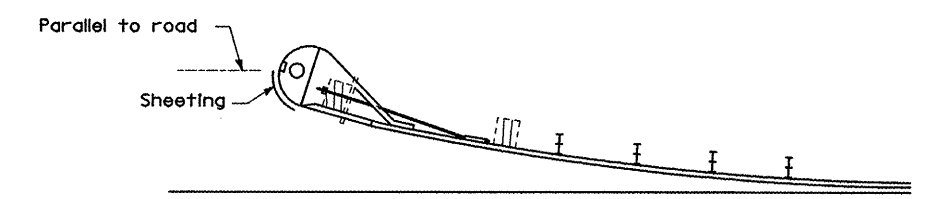
POST MOUNTED TERMINAL MARKER ASSEMBLY



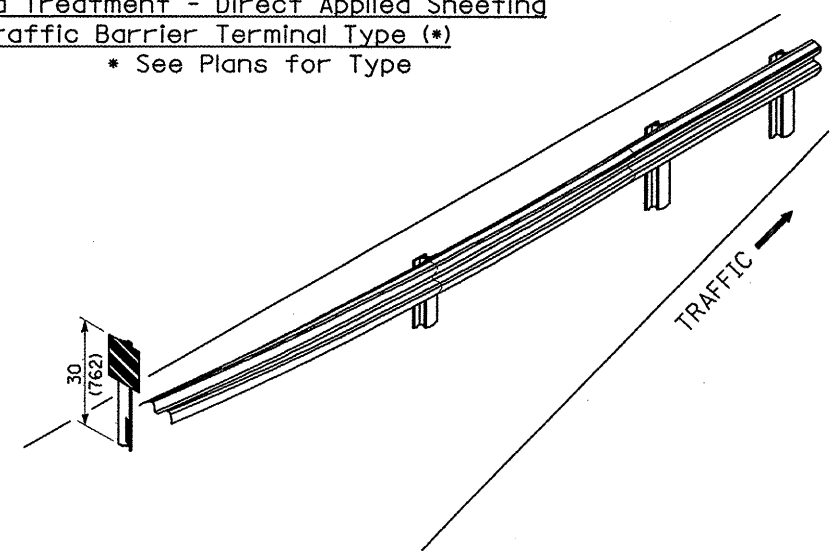
Standard Treatment - Direct Applied Sheeting
Traffic Barrier Terminal Type 1 (Special)



Standard Treatment - Direct Applied Sheeting
Traffic Barrier Terminal Type (*)
* See Plans for Type



Sheeting Position for
Traffic Barrier Terminal Type (*)
* See Plans for Type



ALTERNATE TREATMENT - POST MOUNTED
(For turned-down terminal where sheeting cannot be direct applied)

TERMINAL MARKER TREATMENTS

GENERAL NOTES

All dimensions are in inches (millimeters) unless otherwise noted.

GUARDRAIL & BARRIER WALL DELINEATION

| | | | | | | | | | | | |
|--|------------------------------|------------|-----------|---|---|--|--------------------|--------------------------|--------------|---------------------|---------------------------|
| FILE NAME = ...District Standards 638-667.dgn | USER NAME = Plotted by new6 | DESIGNED - | REVISED - | STATE OF ILLINOIS DEPARTMENT OF TRANSPORTATION | DISTRICT STANDARDS US 150 OVER LITTLE FARM CREEK | | F.A.U. RTE. | SECTION | COUNTY | TOTAL SHEETS | SHEET NO. |
| | PLOT SCALE = 100.0000' / IN. | DRAWN - | REVISED - | | | | 6757 | (105B) BR-2, (105B) BR-3 | TAZEWELL | 117 | 133 |
| | PLOT DATE = 7/29/2008 | CHECKED - | REVISED - | | | | CONTRACT NO. 68086 | | | | |
| | | DATE - | REVISED - | | | | SCALE: N.T.S. | SHEET NO. OF SHEETS | STA. TO STA. | FED. ROAD DIST. NO. | ILLINOIS FED. AID PROJECT |