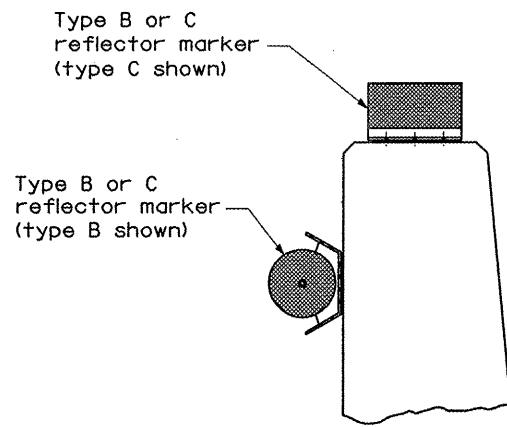
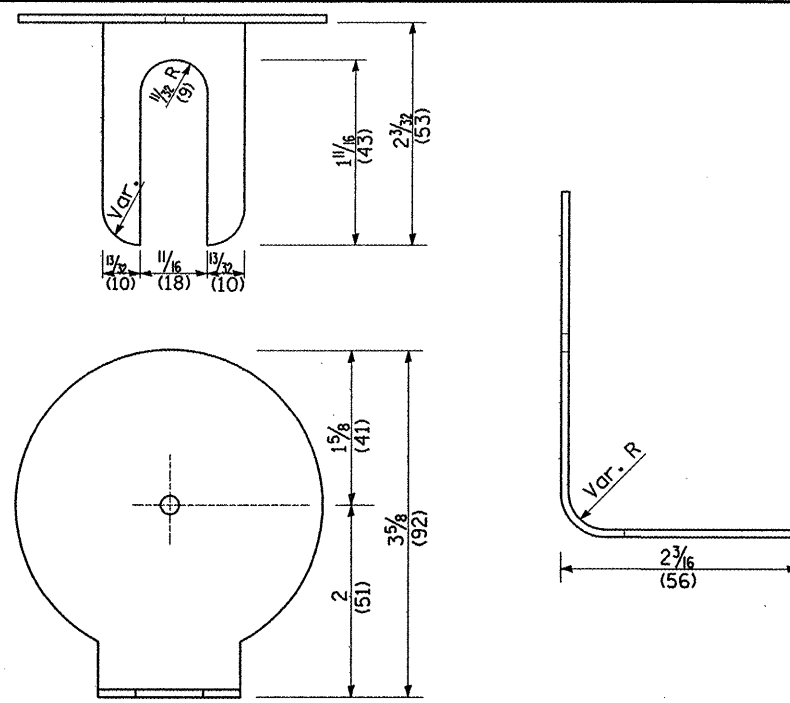


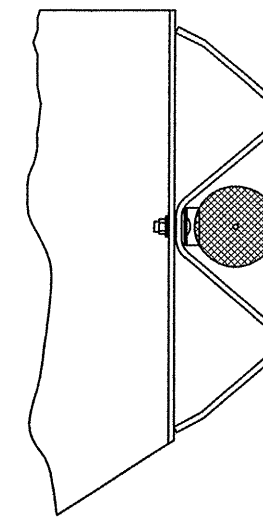
TYPICAL MOUNTING DETAIL FOR BRIDGE RAIL REFLECTOR



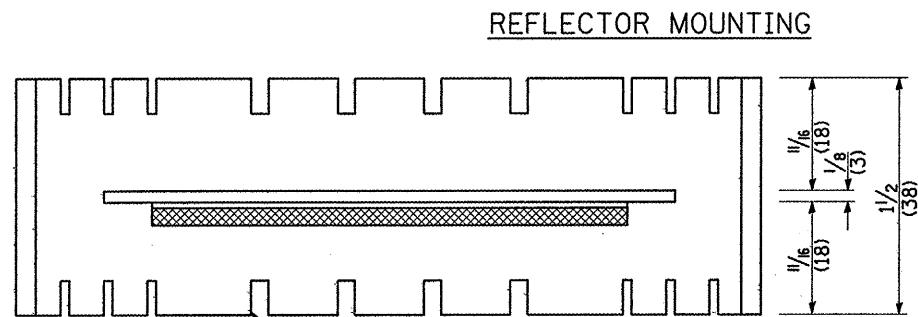
TYPICAL MOUNTING DETAIL FOR BARRIER WALL REFLECTOR



REFLECTOR MARKER TYPE A

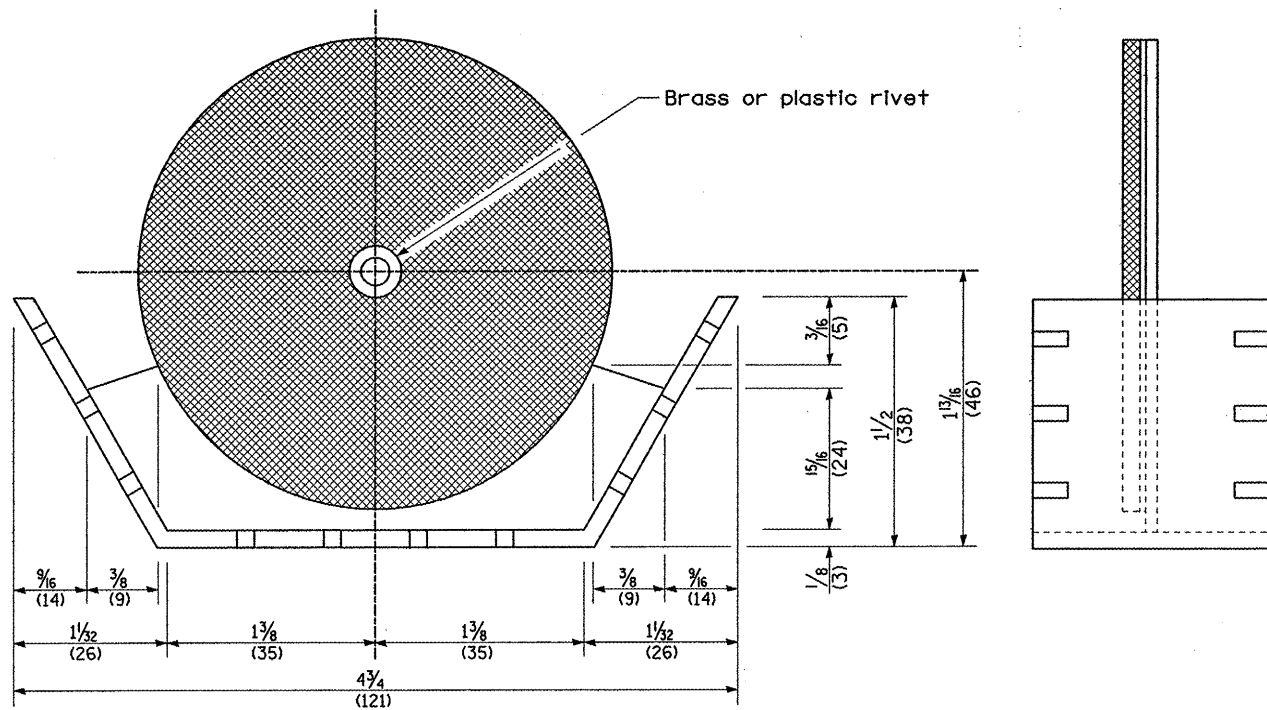


TYPICAL GUARDRAIL MOUNTING WITH REFLECTOR MARKER TYPE A



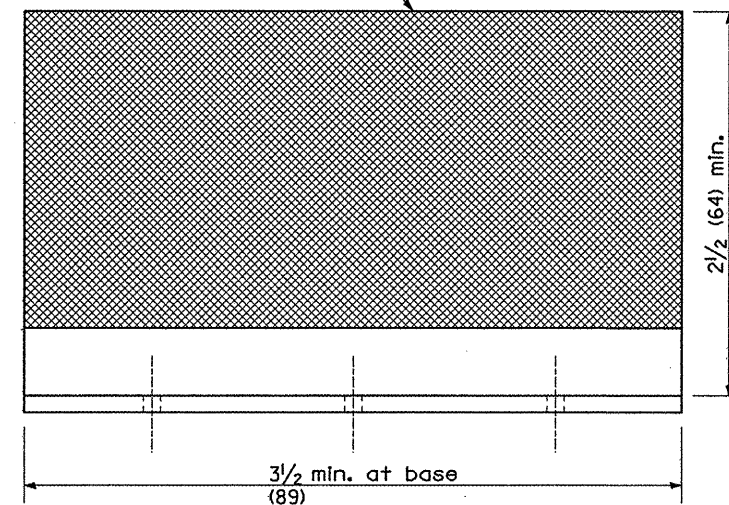
REFLECTOR MOUNTING

Adhesive weep slots or holes equally spaced on both sides



REFLECTOR MARKER TYPE B

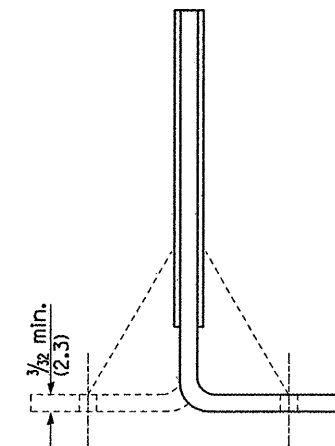
Min. reflective area 6 1/2 sq. in. (4,194 mm<sup>2</sup>) each side. May be rectangular or slight trapezoid.



REFLECTOR MARKER TYPE C

3 min. adhesive weep holes or slots each side, variable spacing.

Minimum total area of base 7.0 Sq. In. (4,516 mm<sup>2</sup>)



Cross section may be "T" or "L" shaped and may have side supports at ends.

REFLECTORS

**GUARDRAIL & BARRIER WALL DELINEATION**

All dimensions are in inches (millimeters) unless otherwise noted.

FILE NAME \*  
...District Standards 638-667.dgn

USER NAME * Plotted by new6	DESIGNED -	REVISED -
PLOT SCALE = 100.0000' / IN.	DRAWN -	REVISED -
PLOT DATE = 7/29/2008	CHECKED -	REVISED -
	DATE -	REVISED -

STATE OF ILLINOIS  
DEPARTMENT OF TRANSPORTATION

DISTRICT STANDARDS  
US 150 OVER LITTLE FARM CREEK

SCALE: N.T.S. SHEET NO. OF SHEETS STA. TO STA.

F.A.I. RTE.	SECTION	COUNTY	TOTAL SHEETS	SHEET NO.
6757	(105B) BR-2, (105B) BR-3	TAZEWELL	118	133
FED. ROAD DIST. NO. [ILLINOIS] FED. AID PROJECT			CONTRACT NO. 68086	