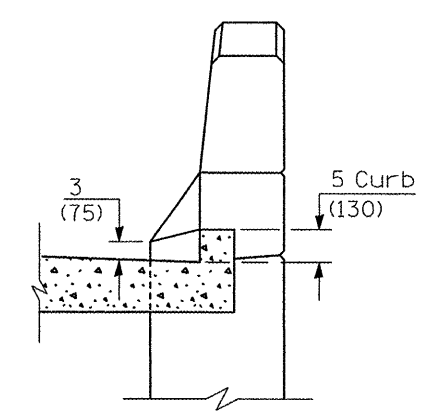
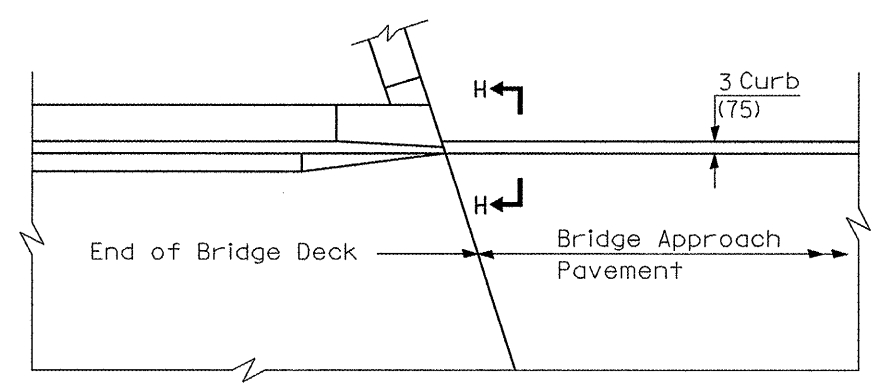


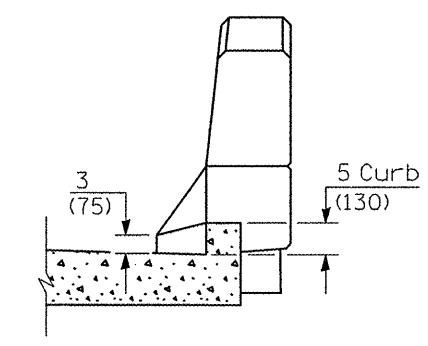
PARAPET TO CURB TRANSITION
PILE BENT ABUTMENT



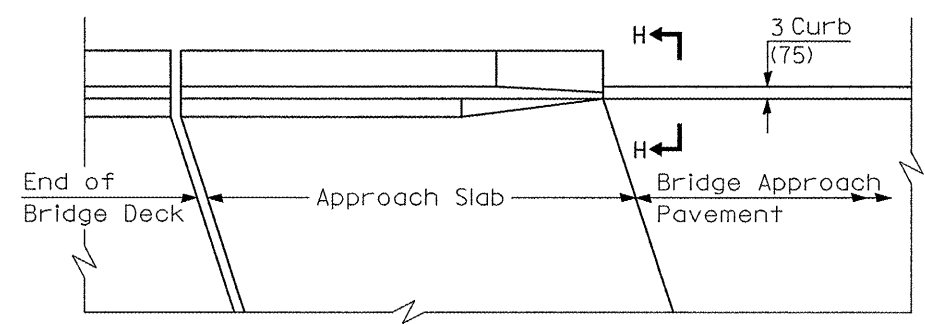
SECTION I - I



PARAPET TO CURB TRANSITION
INTEGRAL ABUTMENT



SECTION H - H



PARAPET TO CURB TRANSITION
VAULTED ABUTMENT

FILE NAME = ...approach detail.dgn	USER NAME = Plotted by flin	DESIGNED -	REVISED -
		DRAWN -	REVISED -
		CHECKED -	REVISED -
		DATE -	REVISED -

STATE OF ILLINOIS
DEPARTMENT OF TRANSPORTATION

BRIDGE APPROACH PAVEMENT DETAIL
US 150 OVER LITTLE FARM CREEK

NOT TO SCALE SHEET NO. 4 OF 4 SHEETS

F.A.U. RTE.	SECTION	COUNTY	TOTAL SHEETS	SHEET NO.
6757	(105B) BR-2, (105B) BR-3	TAZEWELL	1330	133
FED. ROAD DIST. NO. ILLINOIS FED. AID PROJECT			CONTRACT NO. 68086	