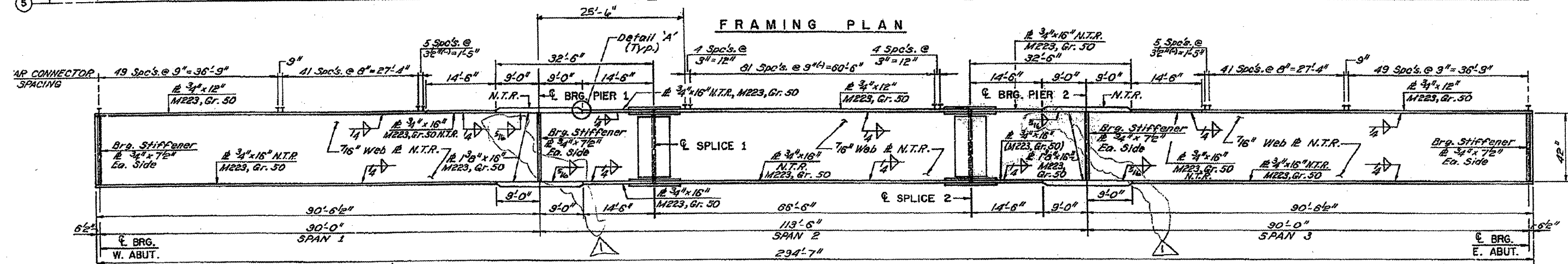
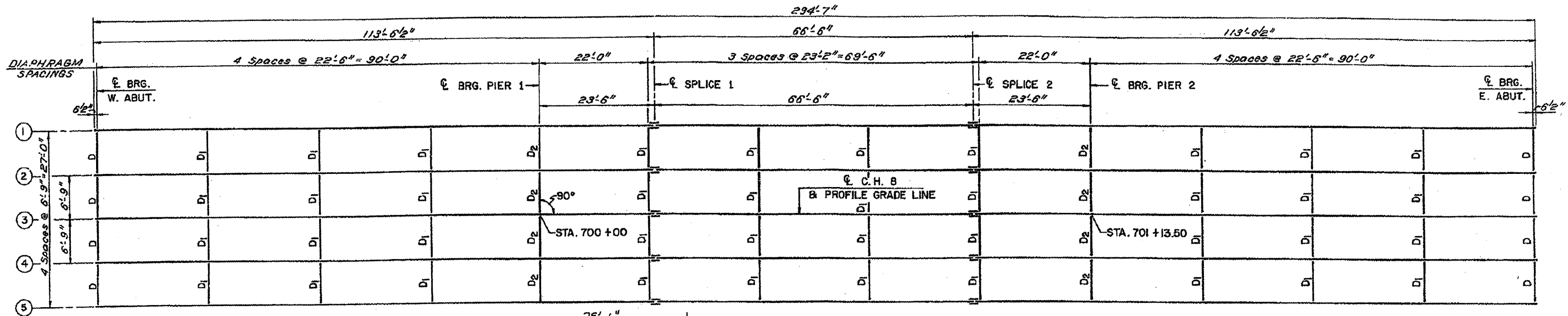
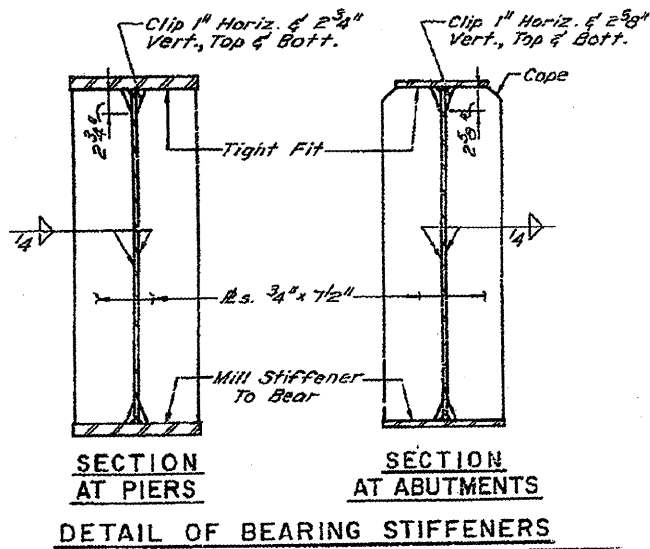


42" PLATE GIRDER INFORMATION ONLY

ROUTE	SECTION	COUNTY	TOTAL SHEETS	SHEET NO.
I-155	D4 BRG PNTG MTLZG 08	TAZEWELL	9	11



GIRDER ELEVATION



090-0139

**FRAMING
PLAN**