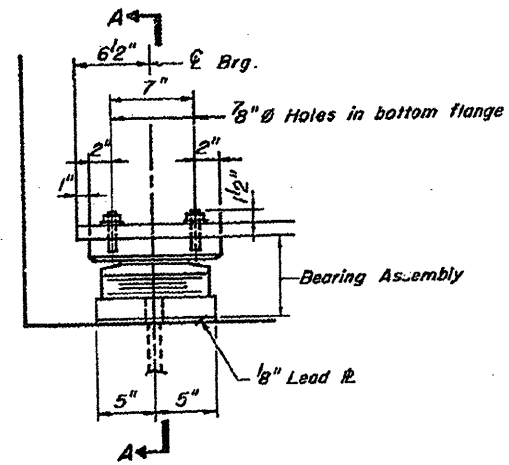


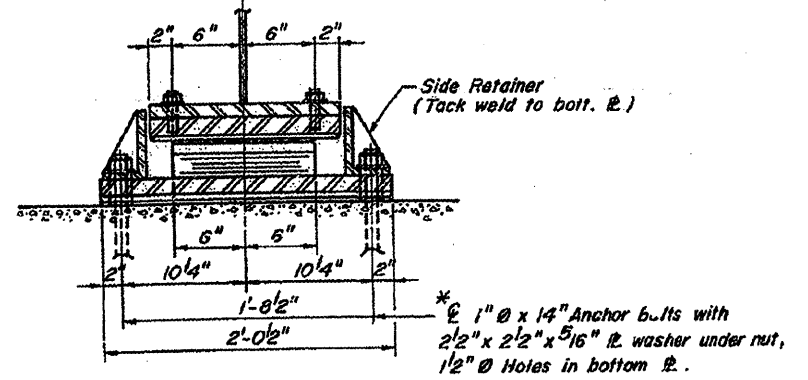
INFORMATION ONLY

ROUTE	SECTION	COUNTY	TOTAL SHEETS	SHEET NO.
I-155	D4 BRG PNTG MTLZG 08	TAZEWELL	11	11



ELEVATION AT ABUT.

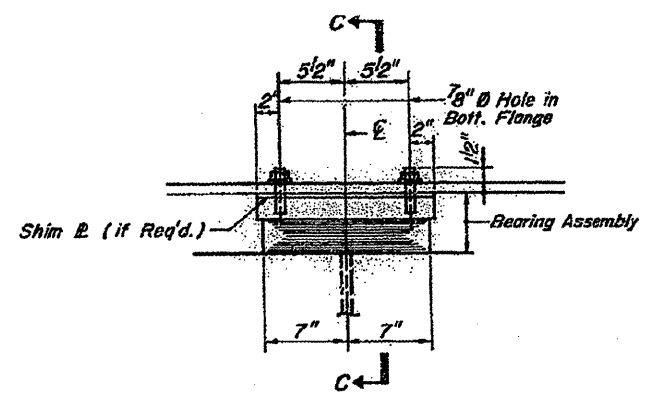
TYPE II TFE ELASTOMERIC EXP. BRG.



SECTION A-A

BILL OF MATERIAL

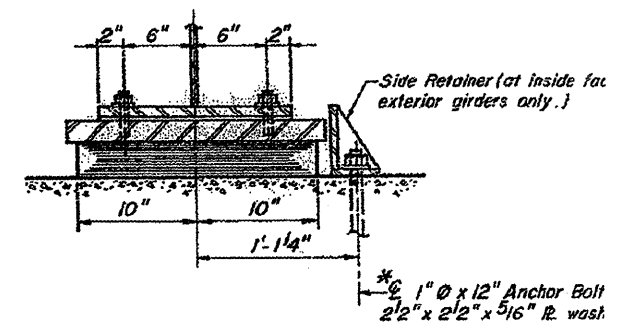
Item	Unit	Total
Elastomeric Bearing Assembly Type II	Each	10



ELEVATION AT PIER 1

TYPE I ELASTOMERIC EXP. BRG.

(5 Required)

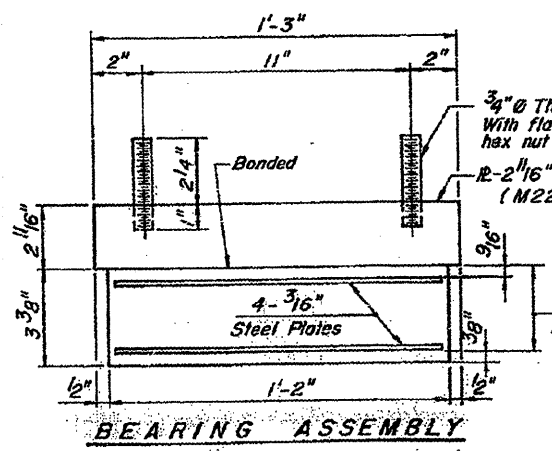


SECTION C-C

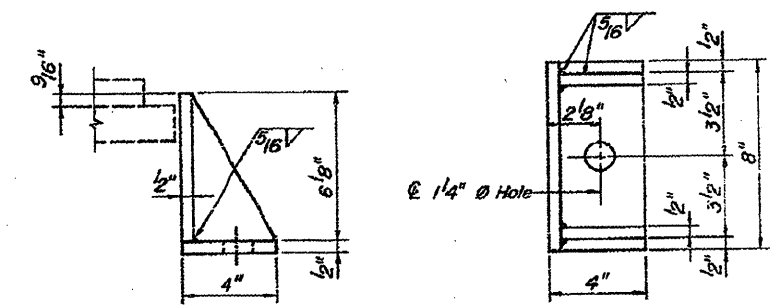
*NOTES:
Anchor Bolts at bearings may be built into the masonry.
See Sht. 511 for Anchor Bolt install.

BILL OF MATERIAL

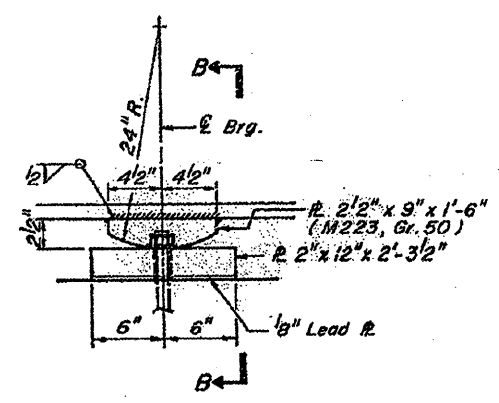
Item	Unit	Total
Elastomeric Bearing Assembly Type I	Each	5



BEARING ASSEMBLY



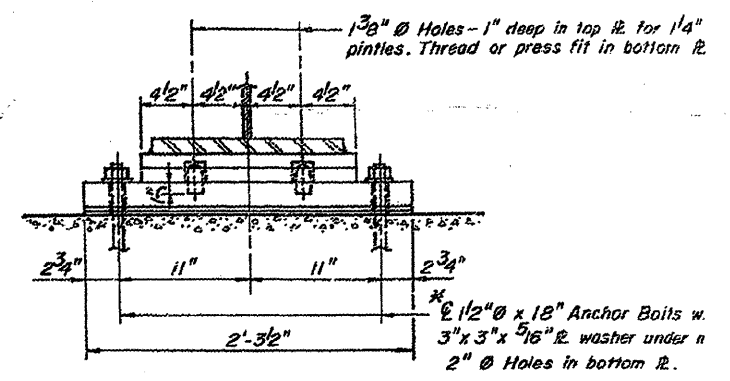
SIDE RETAINER
Equivalent rolled angle with stiffeners will be allowed in lieu of welded plates.



ELEVATION AT PIER 2

FIXED BEARING

(5 Required)



SECTION B-B

*NOTES:
Anchor Bolts at fixed bearings may be built into the masonry.
See Sht. 511 for Anchor Bolt install.

090-0139

BEARING
DETAIL