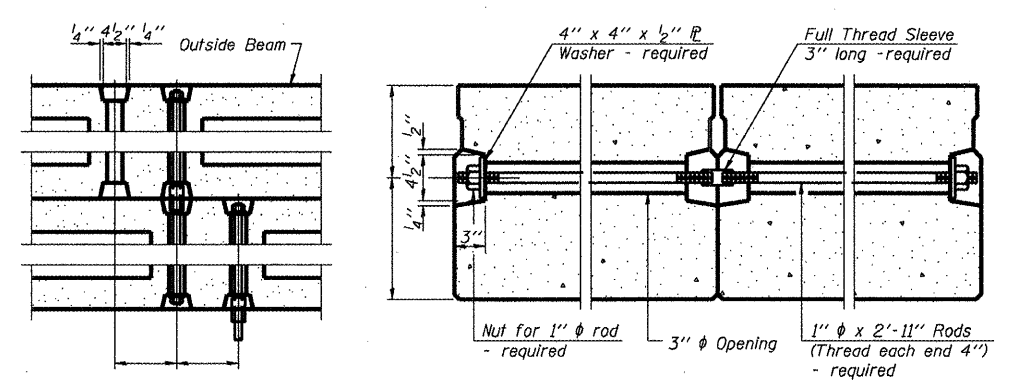
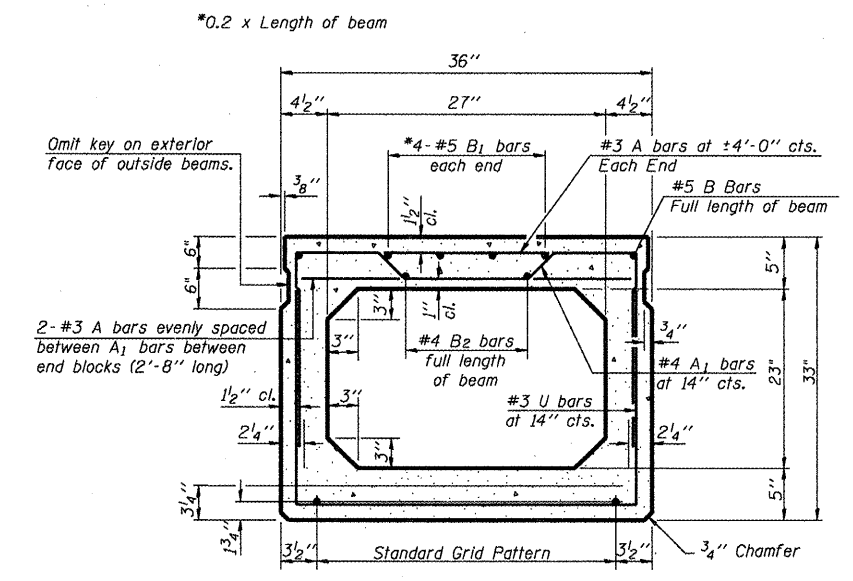


**ELEVATION**  
(Looking North)



**TYPICAL TRANSVERSE TIE ASSEMBLY**



**TYPICAL SECTION**

1/2" ⌀ Strands, Each Strand Stressed to 30,900 Lbs.  
- Strands 1 3/4" up. - Strands 3 1/4" up

Note:  
Place strands symmetrically about ⊕ of beam.

SN.048-0075 IL.97  
over Spoon River

|                                 |                     |                |               |
|---------------------------------|---------------------|----------------|---------------|
| FILE NAME =                     | USER NAME = jonesce | DESIGNED - CEJ | REVISED - --- |
| SN048-0075 IL.97ovrSpoonRiv.dgn |                     | DRAWN - CEJ    | REVISED - --- |
| PLOT SCALE = 1/82.0149' / IN.   |                     | CHECKED - ---  | REVISED - --- |
| PLOT DATE = 12/9/2008           |                     | DATE - ---     | REVISED - --- |

STATE OF ILLINOIS  
DEPARTMENT OF TRANSPORTATION

|                                |  |
|--------------------------------|--|
| <b>EXISTING CROSS SECTIONS</b> |  |
| SCALE: _____                   | SHEET NO. ___ OF ___ SHEETS STA. _____ TO STA. _____ |

| F.A.P. RTE.                                     | SECTION   | COUNTY | TOTAL SHEETS       | SHEET NO. |
|---|-----------|--------|--------------------|-----------|
| 626   | (44-B-11) | KNOX   | 13                 | 4         |
| PPC BEAM REPLACEMENT                            |           |        | CONTRACT NO. 68855 |           |
| FED. ROAD DIST. NO. 4 ILLINOIS FED. AID PROJECT |           |        |                    |           |