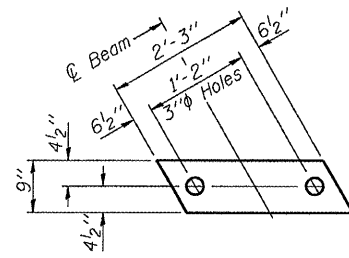
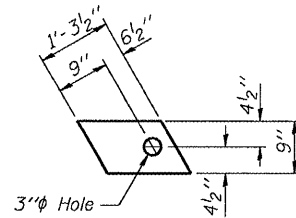


STATE OF ILLINOIS  
DEPARTMENT OF TRANSPORTATION



**FABRIC BEARING PAD**

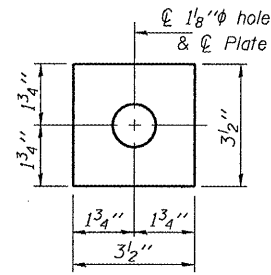


**FABRIC ADJUSTING SHIM**

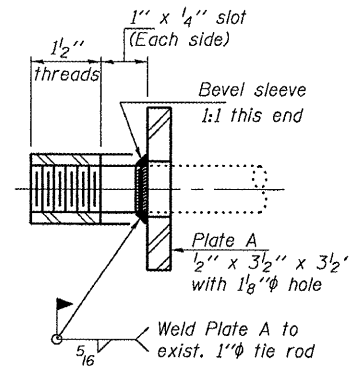
**FIXED**

Note: Omit holes when using expansion bearings.

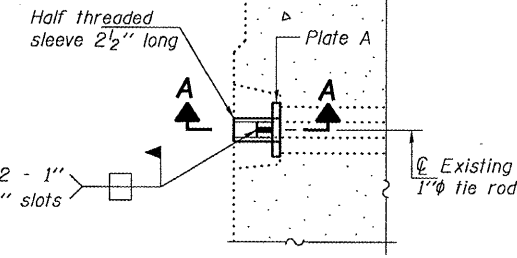
1/2" x 6" x Full width of beam cast into beam. (Expansion end only) Cost included with PPC Deck Beams.



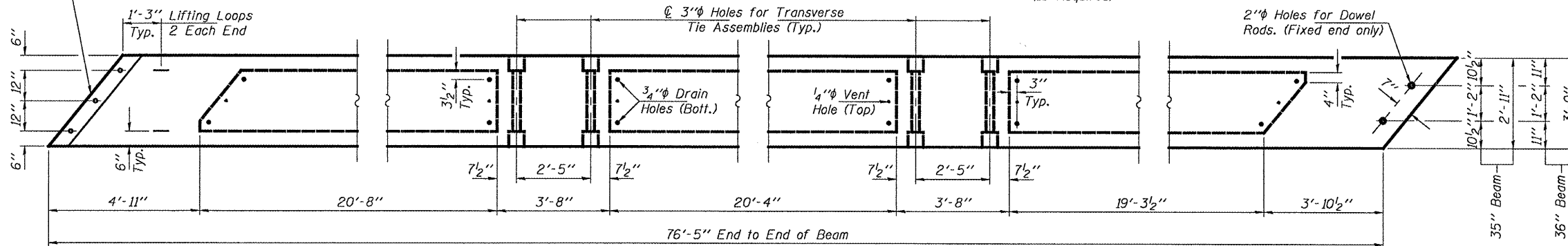
**PLATE A**  
(10 Required)



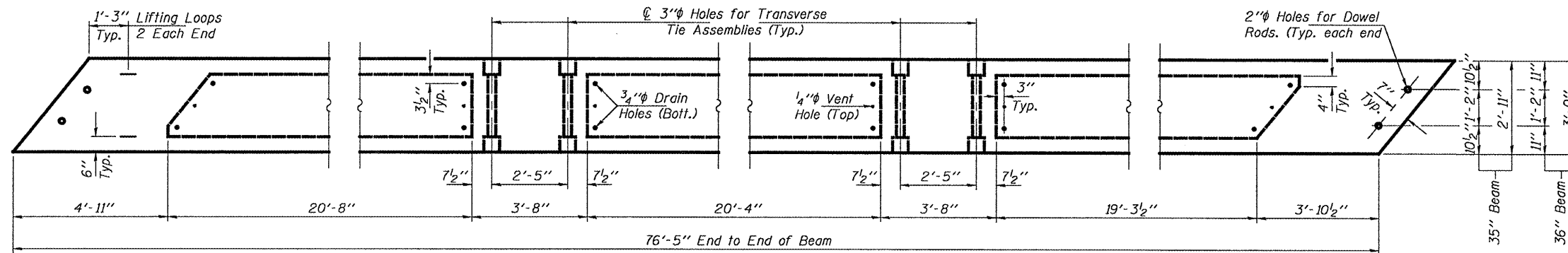
**SECTION A-A**  
(10 Required)



**DETAIL A**



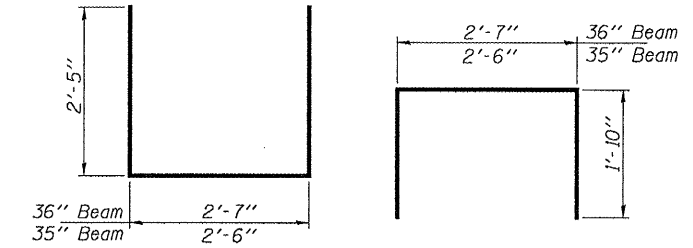
**BEAM PLAN - SPAN 13**



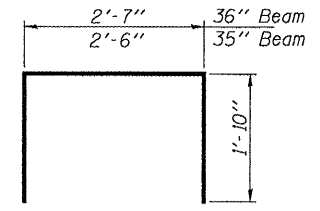
**BEAM PLAN - SPAN 14**

**NOTES**

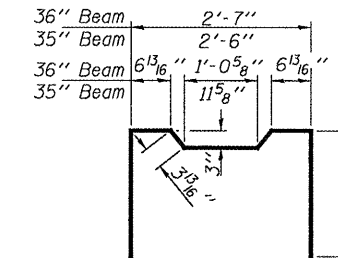
Prestressing steel shall be uncoated high strength, low relaxation 7-wire strand, Grade 270. The nominal diameter shall be 1/2" and the nominal cross-sectional area shall be 0.153 sq. in. The 1" rods in the transverse tie assembly shall be tightened to a snug fit and the threads set. Pockets on exterior faces of bridge shall be filled with grout after transverse tie assembly is in place. Reinforcement bars shall conform to ASTM A 706, Grade 60. (See Special Provisions). Two 1/2" fabric adjusting shims of the dimensions shown shall be provided for each bearing pad location. A minimum 2 1/2" diameter lifting pin shall be used to engage the lifting loops during handling. Corrosion inhibitor, per Article 1020.05(b)(12) and 1021.06 of the Standard Specifications, shall be used in the concrete for precast prestressed concrete deck beams. Compressive strength of prestressed concrete, f'c, shall be 6000 psi. Compressive strength of prestressed concrete at release, f'ci, shall be 5000 psi.



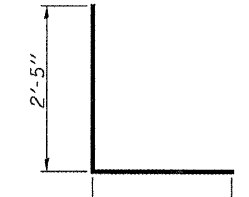
**BAR S(E)**



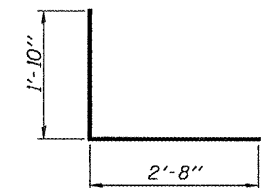
**BAR S1(E)**



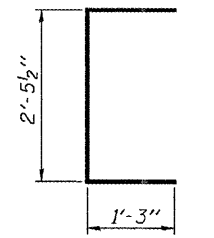
**BAR S2(E)**



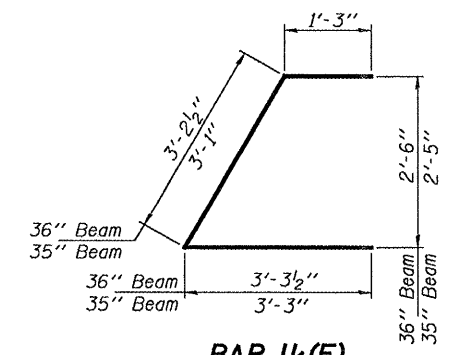
**BAR S3(E)**



**BAR S4(E)**



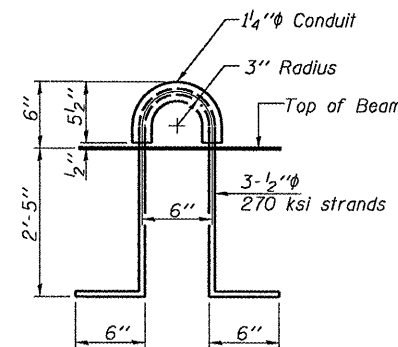
**BAR U(E)**



**BAR U1(E)**

**BILL OF MATERIAL**

Precast Prestressed Conc. Deck Bms. (33" depth)	Sq. Ft.	1586
---	---------	------



**LIFTING LOOP DETAIL**

**BEAM DETAILS  
IL ROUTE 97 OVER SPOON RIVER  
SN 048-0075**

DESIGNED	AJB
CHECKED	ATH
DRAWN	Kyle M. Steffen
CHECKED	AJB ATH

JANUARY 8, 2009  
EXAMINED *Carl Proyer*  
PASSED *Ralph E. Anderson*  
ENGINEER OF STRUCTURAL SERVICES  
ENGINEER OF BRIDGES AND STRUCTURES

SHEET NO. 3 4 SHEETS	F.A.P. RTE.	SECTION	COUNTY	TOTAL SHEETS	SHEET NO.
	626	(44-B-1)I	KNOX	13	12
FED. ROAD DIST. NO.			ILLINOIS	FED. AID PROJECT	
CONTRACT NO. 68855					