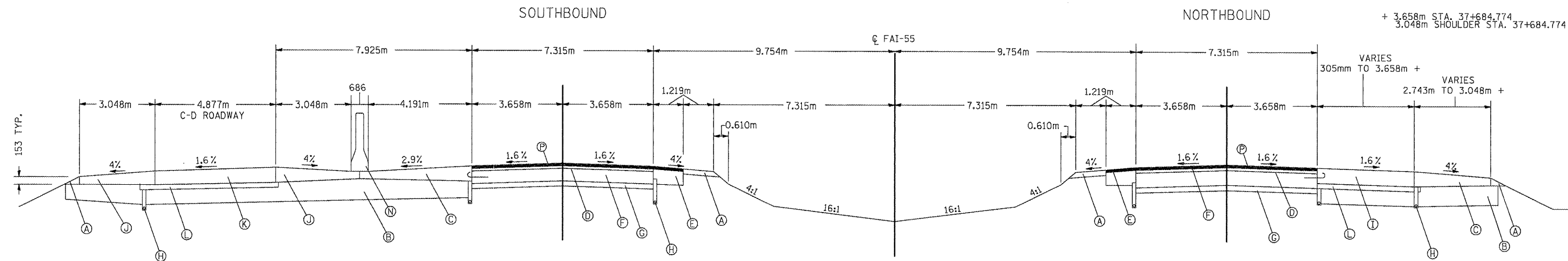
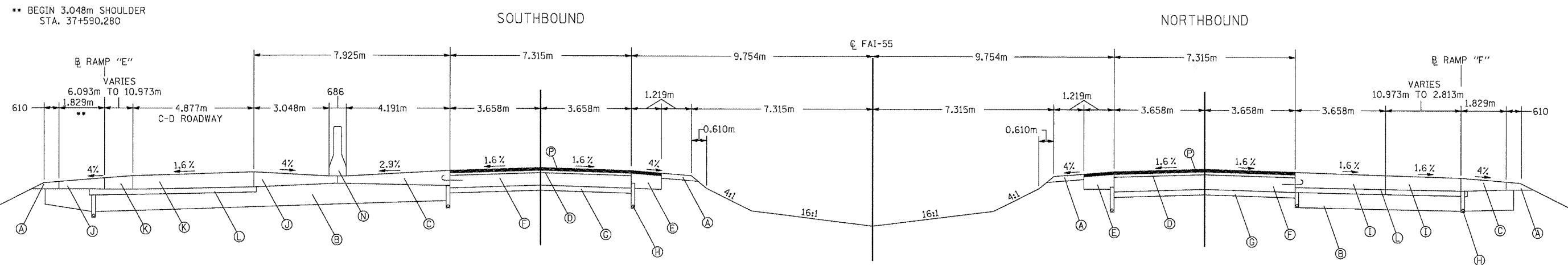


F.A. RTE.	SECTION	COUNTY	TOTAL SHEETS	SHEET NO.
55	*	McCLEAN	70	8
STA.		TO STA.		
FED. ROAD DIST. NO.		ILLINOIS FED. AID PROJECT		
* [(57-4)HBR-5&VBR-1] & 57-2HB-1				
CONTRACT NO. 70661				



TYPICAL SECTION
 STA. 37+643.215 TO STA. 37+852.415 N.B.
 STA. 37+618.172 TO STA. 37+855.100 S.B.



TYPICAL SECTION
 STA. 37+537.555 TO STA. 37+643.215 N.B.
 STA. 37+535.440 TO STA. 37+618.172 S.B.

- (A) AGGREGATE SHOULDER, TYPE B
- (B) LIME MODIFIED SOIL, 305 mm
- (C) P.C.C. SHOULDERS, 305 mm
- (D) HOT MIX ASPHALT OVERLAY, 108 mm & VARIES
- (E) HOT MIX ASPHALT SHOULDERS
- (F) P.C.C. PAVEMENT, 254 mm
- (G) SUB GRANULAR MATERIAL, 153 mm
- (H) SUB-SURFACE DRAINAGE SYSTEM
- (I) P.C.C. PAVEMENT, 305 mm
- (J) P.C.C. SHOULDER, 273 mm
- (K) P.C.C. PAVEMENT, 273 mm
- (L) STABILIZED SUB-BASE, 102 mm
- (M) P.C.C. APPROACH SLAB, 305 mm
- (N) DOUBLE FACED CONCRETE BARRIER
- (O) POROUS GRANULAR EMBANKMENT, SUBGRADE 300 mm
- (P) POLYMERIZED HMA SURFACE CSE, 38 mm

EXISTING TYPICAL SECTIONS
 FAI 55 (I-55)
 McCLEAN COUNTY