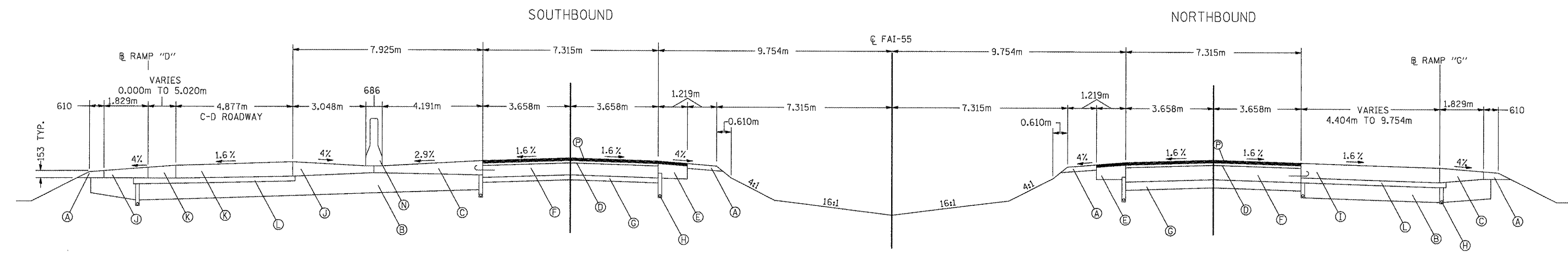
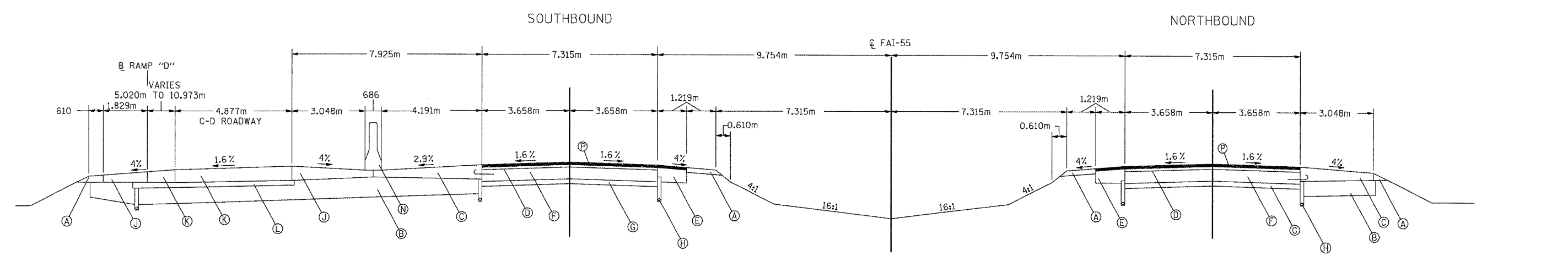


| F.A. RTE. | SECTION | COUNTY | TOTAL SHEETS | SHEET NO. |
|--------------------------------|---------|---------------------------|--------------|-----------|
| 55 | * | McCLEAN | 70 | 9 |
| STA. | | TO STA. | | |
| FED. ROAD DIST. NO. | | ILLINOIS FED. AID PROJECT | | |
| * I(57-4)HBR-5&VBR-13&57-2HB-1 | | | | |
| CONTRACT NO. 70661 | | | | |



TYPICAL SECTION
STA. 37+966.007 TO 38+116.652 N.B & S.B.



TYPICAL SECTION
STA. 37+852.415 TO STA. 37+966.007 N.B.
STA. 37+855.100 TO STA. 37+966.007 S.B.

- (A) AGGREGATE SHOULDER, TYPE B
- (B) LIME MODIFIED SOIL, 305 mm
- (C) P.C.C. SHOULDERS, 305 mm
- (D) HOT MIX ASPHALT OVERLAY, 108 mm & VARIES
- (E) HOT MIX ASPHALT SHOULDERS
- (F) P.C.C. PAVEMENT, 254 mm
- (G) SUB GRANULAR MATERIAL, 153 mm
- (H) SUB-SURFACE DRAINAGE SYSTEM
- (I) P.C.C. PAVEMENT, 305 mm
- (J) P.C.C. SHOULDER, 273 mm
- (K) P.C.C. PAVEMENT, 273 mm
- (L) STABILIZED SUB-BASE, 102 mm
- (M) P.C.C. APPROACH SLAB, 305 mm
- (N) DOUBLE FACED CONCRETE BARRIER
- (O) POROUS GRANULAR EMBANKMENT, SUBGRADE 300 mm
- (P) POLYMERIZED HMA SURFACE CSE, 38 mm

EXISTING TYPICAL SECTIONS
FAI 55 (I-55)
McCLEAN COUNTY