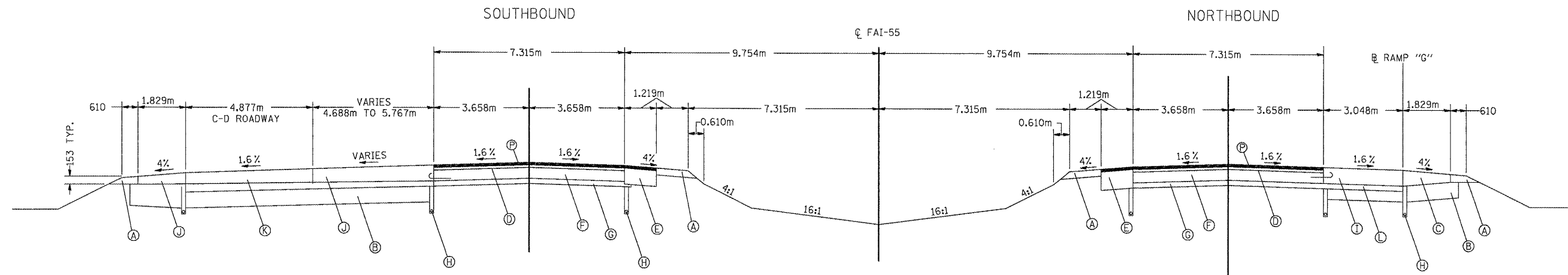
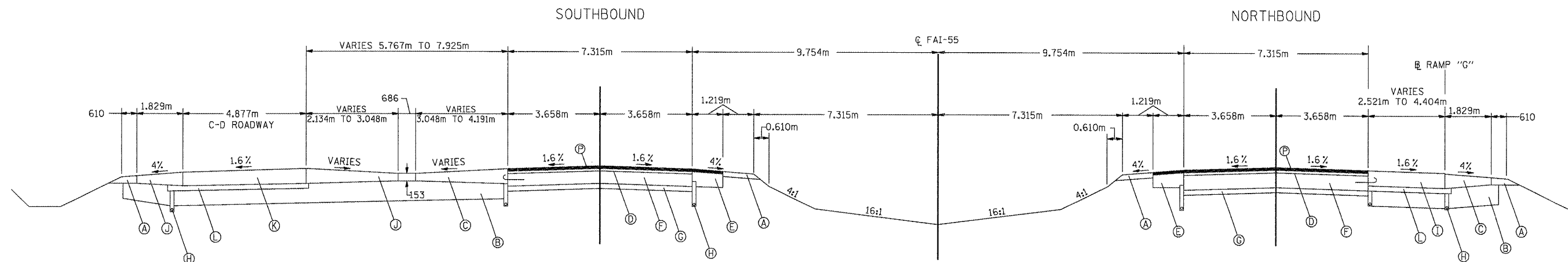


F.A. RTE.	SECTION	COUNTY	TOTAL SHEETS	SHEET NO.
55	*	McCLEAN	70	10
STA.		TO STA.		
FED. ROAD DIST. NO.		ILLINOIS FED. AID PROJECT		
• [(57-4)HBR-5&VBR-1J&57-2HB-1				
CONTRACT NO. 70661				



TYPICAL SECTION
 STA. 38+177.850 TO STA. 38+210.808 N.B.
 STA. 38+177.850 TO STA. 38+208.330 S.B.



TYPICAL SECTION
 STA. 38+116.652 TO STA. 38+177.850 N.B. & S.B.

- (A) AGGREGATE SHOULDER, TYPE B
- (B) LIME MODIFIED SOIL, 305 mm
- (C) P.C.C. SHOULDERS, 305 mm
- (D) HOT MIX ASPHALT OVERLAY, 108 mm & VARIES
- (E) HOT MIX ASPHALT SHOULDERS
- (F) P.C.C. PAVEMENT, 254 mm
- (G) SUB GRANULAR MATERIAL, 153 mm
- (H) SUB-SURFACE DRAINAGE SYSTEM
- (I) P.C.C. PAVEMENT, 305 mm
- (J) P.C.C. SHOULDER, 273 mm
- (K) P.C.C. PAVEMENT, 273 mm
- (L) STABILIZED SUB-BASE, 102 mm
- (M) P.C.C. APPROACH SLAB, 305 mm
- (N) DOUBLE FACED CONCRETE BARRIER
- (O) POROUS GRANULAR EMBANKMENT, SUBGRADE 300 mm
- (P) POLYMERIZED HMA SURFACE CSE, 38 mm

EXISTING TYPICAL SECTIONS
 FAI 55 (I-55)
 McCLEAN COUNTY