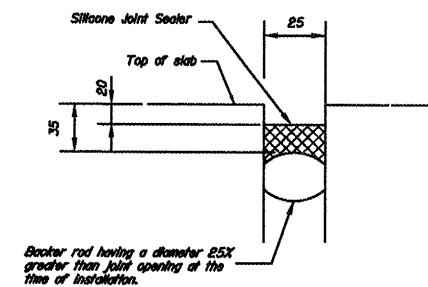
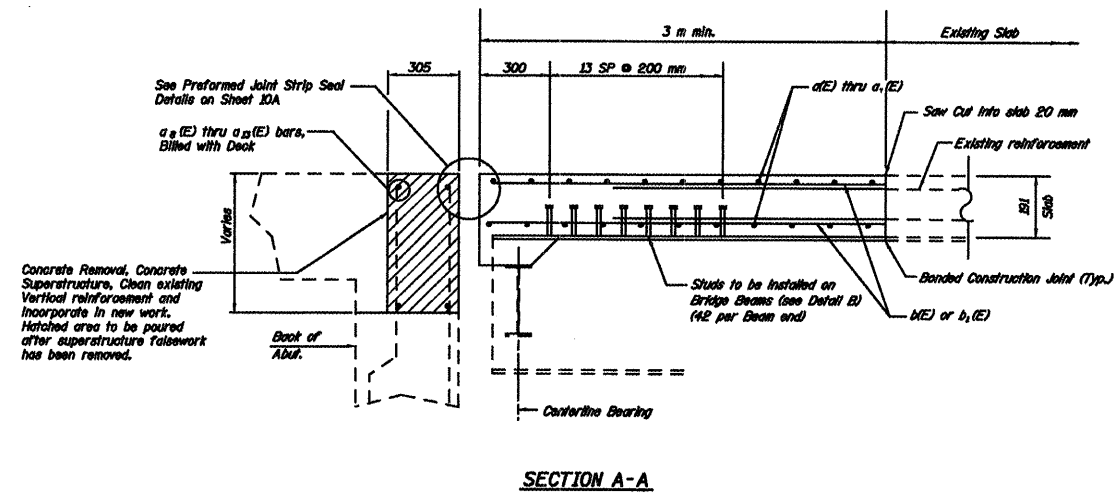
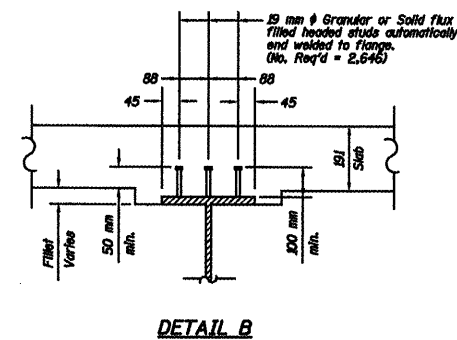


ROUTE NO.	DISTRICT	COUNTY	SECTION	SHEET NO.
FAI 55	•	McLEAN	70	42
FED. ROAD DIST. NO. 7		SLAB NO.	FED. ROAD PROJECT	
• (157-1)HBR-5&VBR-11&57-2HB-1				

SHEET NO. 5
10A SHEETS



SILICONE JOINT SEALER DETAIL
LONGITUDINAL OPEN JOINT
(SB ROADWAY ONLY)



All dimensions are in millimeters (mm) except as noted.

DESIGNED	GAE
CHECKED	JDA
DRAWN	NQ
CHECKED	GAE

SUPERSTRUCTURE DETAILS
F.A.I. 55 OVER BUSINESS U.S. 51
McLEAN COUNTY
SN 057-0024 (NB)
SN 057-0025 (SB)
STA. 37+474.206