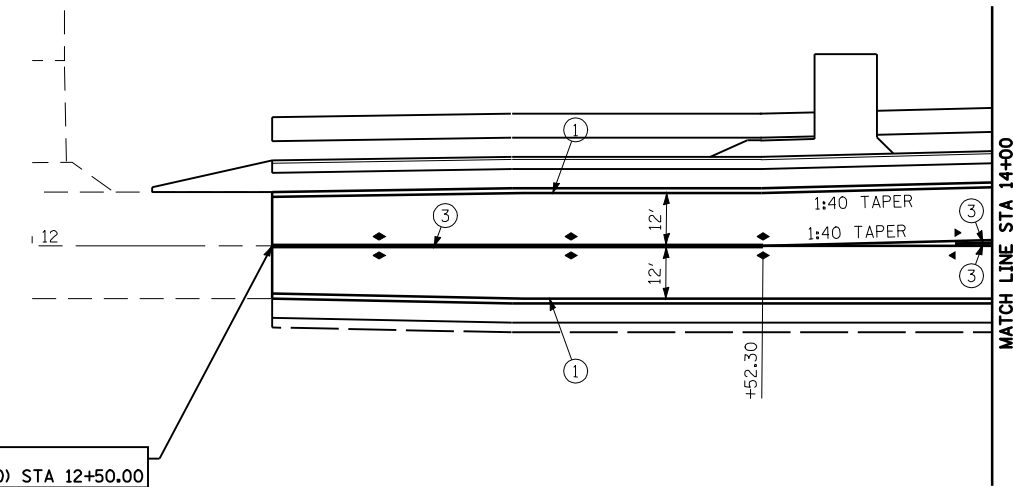
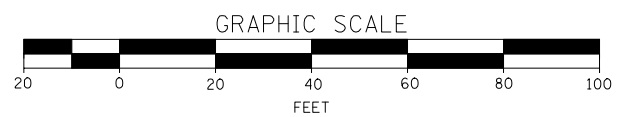


FAU 7817 (CH 34 / PAYSON RD) POT STA 16+76.40 =  
35TH STREET POT STA 10+00.00



BEGIN IMPROVEMENT  
FAU 7817 (PAYSON RD) STA 12+50.00

- LEGEND:
- ▷ ONE-WAY CRYSTAL RAISED REFLECTIVE PAVEMENT MARKER
  - ◆ TWO-WAY AMBER RAISED REFLECTIVE PAVEMENT MARKER
  - ▶ ONE-WAY AMBER RAISED REFLECTIVE PAVEMENT MARKER
  - ① URETHANE PAVEMENT MARKING, 5" WHITE-SOLID
  - ② URETHANE PAVEMENT MARKING, 5" WHITE-SKIP DASH
  - ③ URETHANE PAVEMENT MARKING, 5" YELLOW-DUAL SOLID
  - ④ URETHANE PAVEMENT MARKING, 6" WHITE-SOLID
  - ⑤ URETHANE PAVEMENT MARKING, 6" WHITE-SKIP DASH
  - ⑥ PREFORMED PLASTIC, TYPE B-INLAID, 8" WHITE-SOLID
  - ⑦ PREFORMED PLASTIC, TYPE B-INLAID, 12" WHITE-SOLID
  - ⑧ PREFORMED PLASTIC, TYPE B-INLAID, 12" YELLOW-SOLID
  - ⑨ PREFORMED PLASTIC, TYPE B-INLAID, 24" WHITE-SOILD
  - ⑩ PREFORMED PLASTIC, TYPE B-INLAID, WHITE-LETTERS & SYMBOLS
  - ⑪ PREFORMED PLASTIC, TYPE B-INLAID, 6" WHITE-SOILD



FILE NAME =	USER NAME = laughlinr1	DESIGNED -	REVISED -
et:\pw\work\PWIDOT\LAUGHLINRL\0114681\0002\STRIPING05.dgn		DRAWN -	REVISED -
	PLOT SCALE = 40.0000' / IN.	CHECKED -	REVISED -
	PLOT DATE = Dec-12-2008 02:54:00PM	DATE -	REVISED -

**STATE OF ILLINOIS  
DEPARTMENT OF TRANSPORTATION**

**SIGNING AND PAVEMENT MARKING PLAN  
FAU 7817 (PAYSON ROAD)**

SCALE: 1"=20' SHEET NO. 5 OF 5 SHEETS STA. 12+00 TO STA. 19+00

F.A. RTE.	SECTION	COUNTY	TOTAL SHEETS	SHEET NO.
• - FAS 1597 & FAU 7830	(11)N	ADAMS	117	60
FED. ROAD DIST. NO.	ILLINOIS FED. AID PROJECT		CONTRACT NO. 72817	