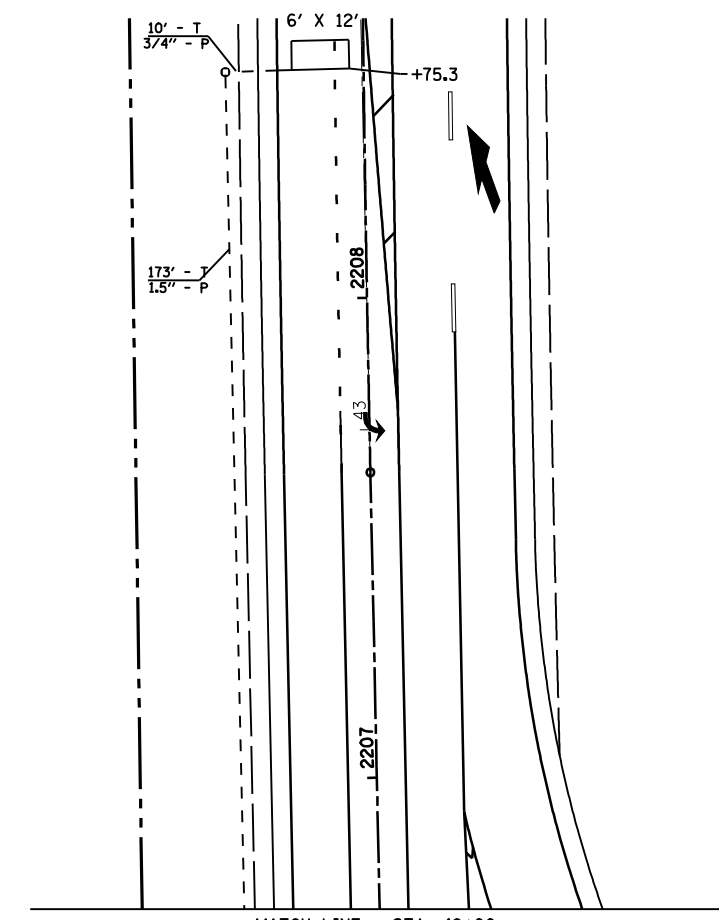
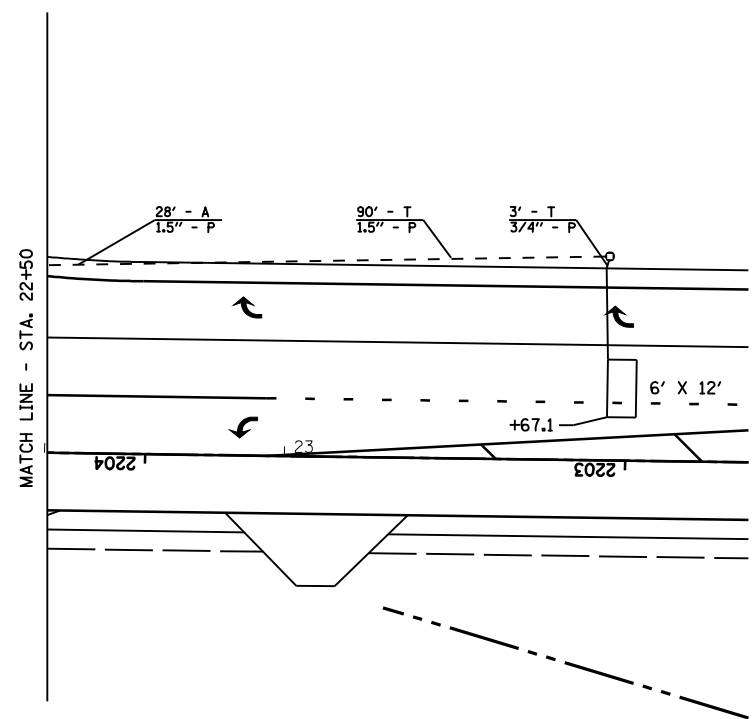


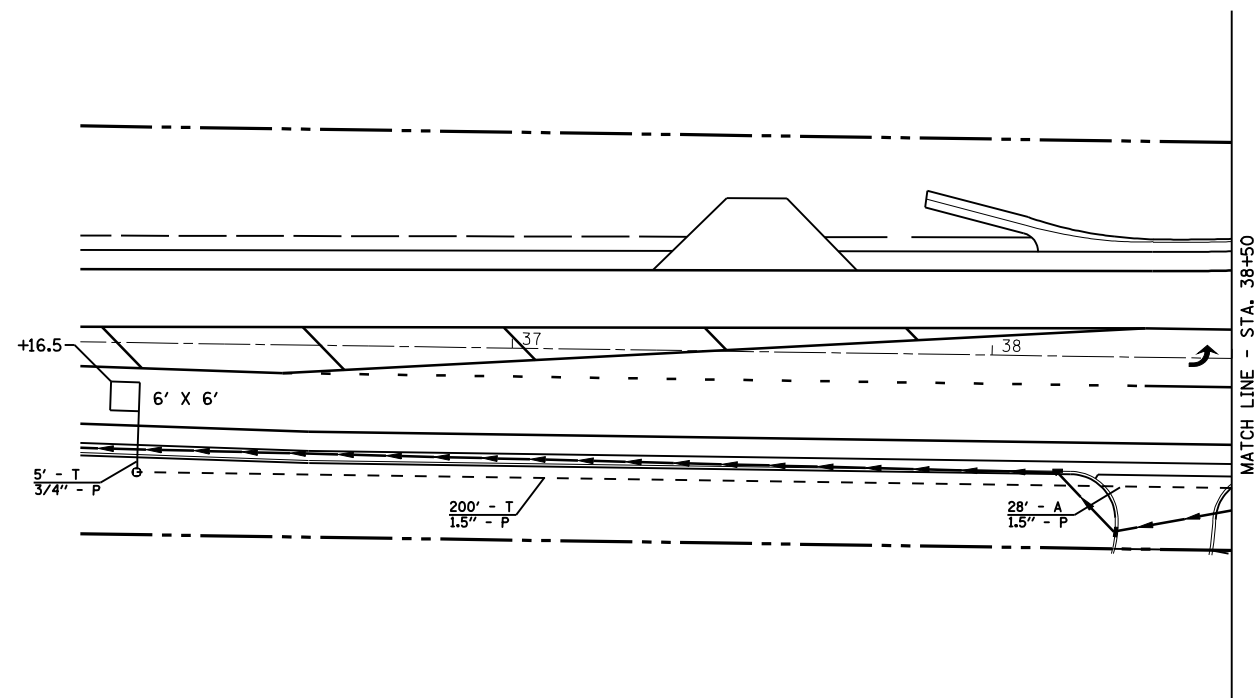
MATCH LINE - STA. 18+00



MATCH LINE - STA. 42+00



MATCH LINE - STA. 22+50



MATCH LINE - STA. 38+50

FILE NAME =	USER NAME = laughlinr1	DESIGNED - IDOT	REVISED -
et:\pwork\pwork\IDOT\LAUGHLINRL\0114681\083TS_Sheets03.dgn		DRAWN - IDOT	REVISED -
	PLOT SCALE = 40.0000 ' / IN.	CHECKED -	REVISED -
	PLOT DATE = Dec-12-2008 02:59:02PM	DATE -	REVISED -

**STATE OF ILLINOIS
DEPARTMENT OF TRANSPORTATION**

TRAFFIC SIGNAL PLANS & SIGNALS

SCALE: none SHEET NO. 3 OF 6 SHEETS STA. TO STA.

F.A. RTE.	SECTION	COUNTY	TOTAL SHEETS	SHEET NO.
•	(11)N	ADAMS	117	63
• - FAS 1597 & FAU 7830			CONTRACT NO. 72817	
FED. ROAD DIST. NO.	ILLINOIS FED. AID PROJECT			