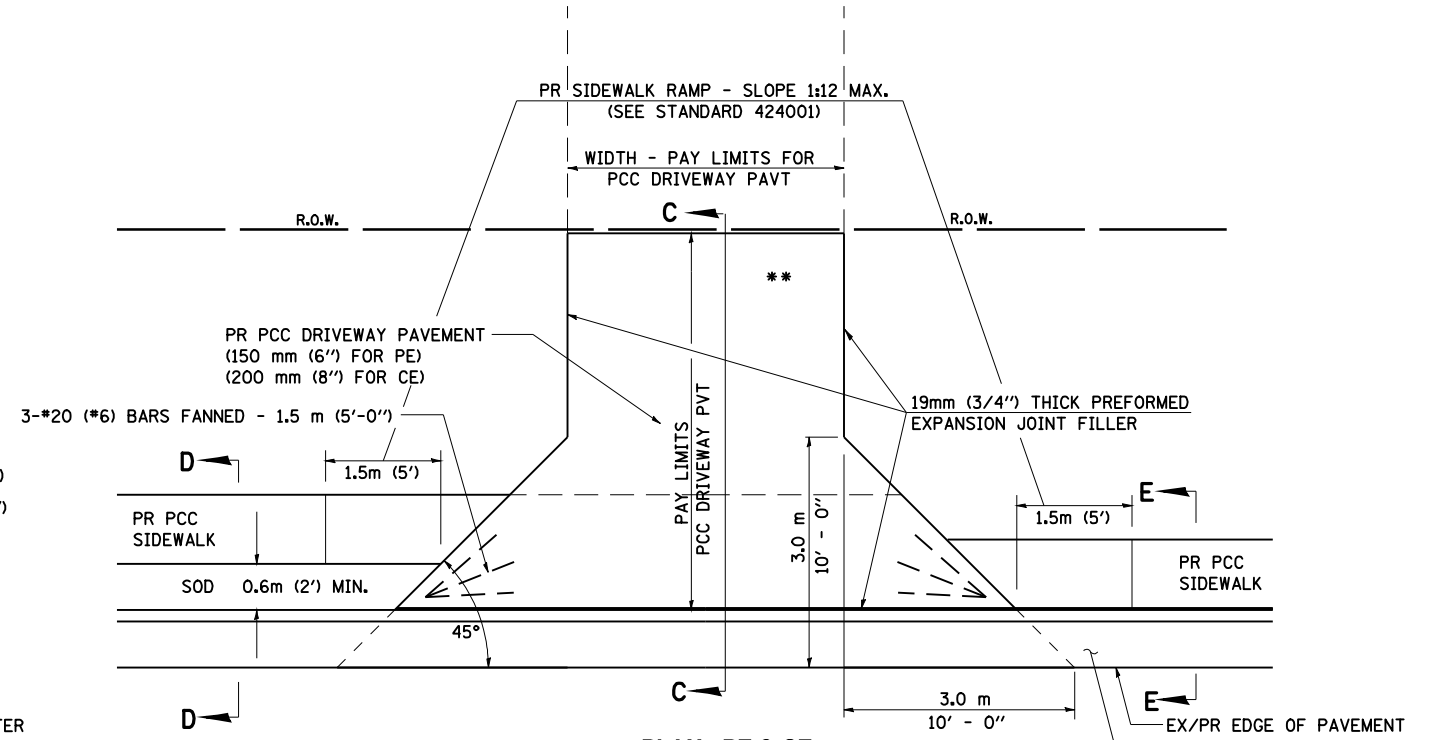
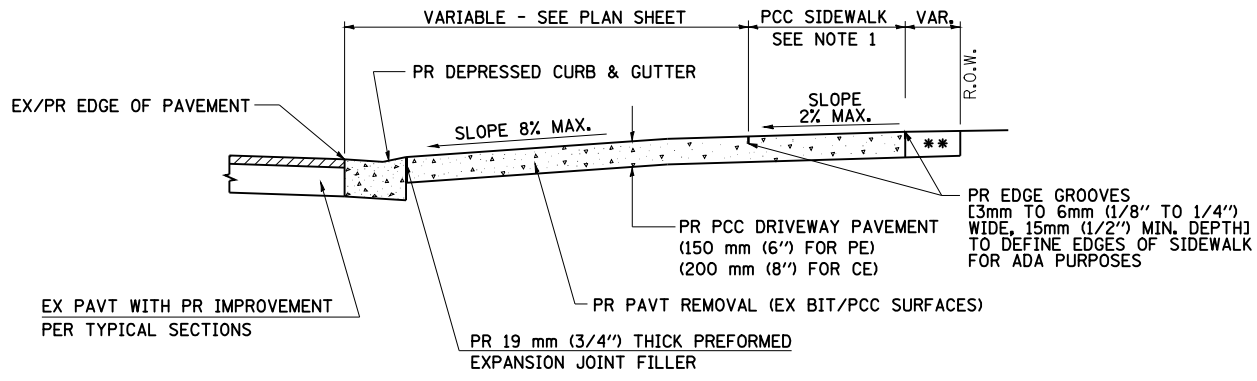


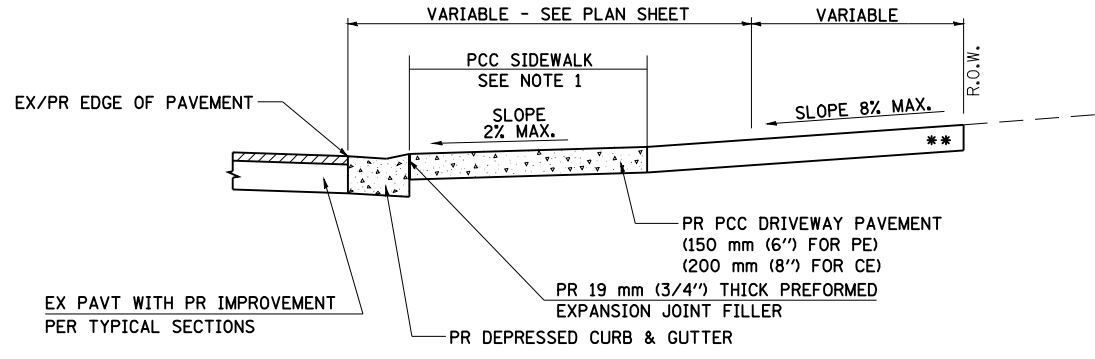
PLAN - PE & CE



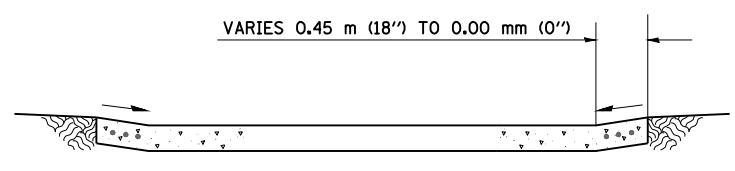
PLAN - PE & CE (SIDEWALK ADJACENT TO CURB)



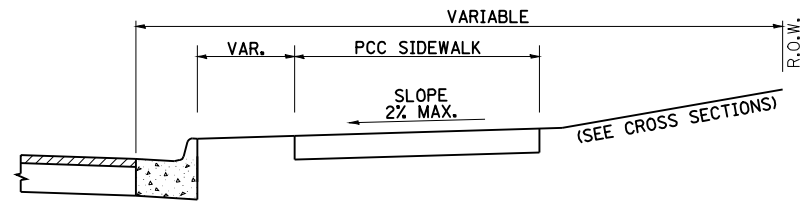
SECTION A - A



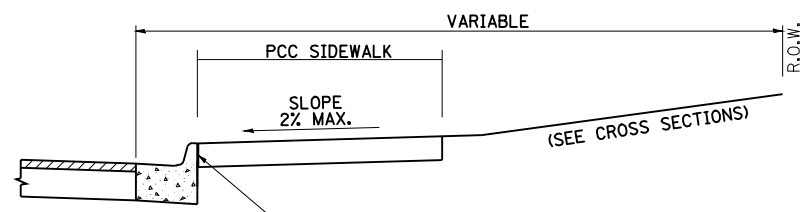
SECTION C - C



SECTION B - B



SECTION D - D



SECTION E - E

**** MATCH IN KIND BEHIND SIDEWALK FOR EX EARTH OR AGGREGATE SURFACES :**
 PR AGGREGATE BASE COURSE, TYPE B 150mm (6") - PE/FE
 PR PCC DRIVEWAY PAVT. 200mm (8") - CE

FOR EX BITUMINOUS CONC. SURFACES :
 PR BITUMINOUS CONCRETE 150mm (6") - PE
 PR BITUMINOUS CONCRETE 200mm (8") - CE

FOR EX PCC SURFACES :
 PR PCC DRIVEWAY PAVT. 150mm (6") - PE
 PR PCC DRIVEWAY PAVT. 200mm (8") - CE

NOTE : IN AREAS WITH NO SIDEWALK, MATCH IN KIND BEHIND 3.0 (10') FLARE

NOTES:

- SEE PLAN SHEET / ENTRANCE PROFILE FOR LOCATION OF SIDEWALK.
- THE COST OF FURNISHING AND INSTALLING THE 19 mm (3/4") PREFORMED EXPANSION JOINT FILLER AND REINFORCEMENT BARS SHALL BE INCLUDED IN THE COST OF P.C.C. DRIVEWAY PAVEMENT.

FILE NAME =	USER NAME = laughlinr1	DESIGNED -	REVISED -
et:\pw_work\PWIDOT\LAUGHLINRL\0114681\089MiscDet02.dgn		DRAWN -	REVISED -
PLOT SCALE = 40.0000 ' / IN.		CHECKED -	REVISED -
PLOT DATE = Dec-12-2008 02:59:16PM		DATE -	REVISED -

**STATE OF ILLINOIS
 DEPARTMENT OF TRANSPORTATION**

MISCELLANEOUS DETAILS - ENTRANCES WITH CURB & GUTTER	
SCALE: NONE	SHEET NO. 1 OF 2 SHEETS
STA.	TO STA.

F.A. RTE.	SECTION	COUNTY	TOTAL SHEETS	SHEET NO.
	(111N)	ADAMS	117	69
FAS 1597 & FAU 7830			CONTRACT NO. 72817	
FED. ROAD DIST. NO. ILLINOIS FED. AID PROJECT				