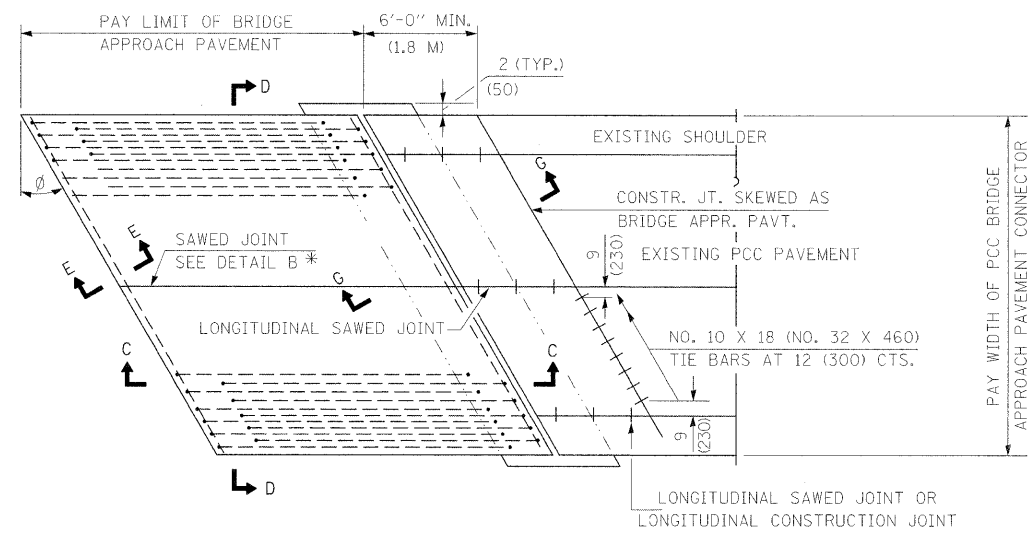
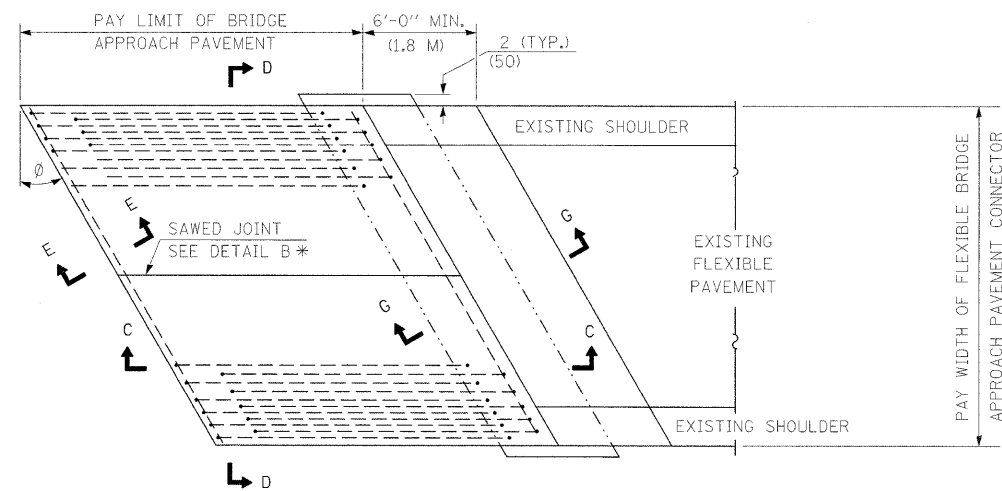


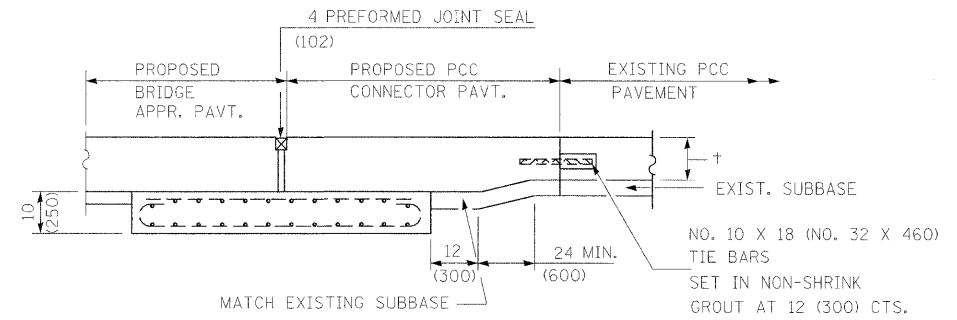
EXISTING CONSTRUCTION



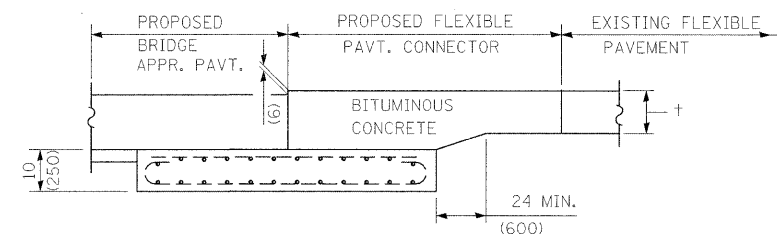
BRIDGE APPROACH PAVEMENT CONNECTOR (PCC)



BRIDGE APPROACH PAVEMENT CONNECTOR (FLEXIBLE)



SECTION G-G - RIGID PAVEMENT



SECTION G-G - FLEXIBLE PAVEMENT

GENERAL NOTES

- THICKNESS-"t"=THICKNESS OF PAVEMENT.
- SEE STANDARD 421001 FOR REINFORCEMENT DETAILS NOT SHOWN.
- SEE STANDARD 420001 FOR JOINT DETAILS NOT SHOWN.
- ALL DIMENSIONS ARE IN INCHES (MILLIMETERS) UNLESS OTHERWISE SHOWN.

FILE NAME = #FILEL#	USER NAME = #USER#	DESIGNED -	REVISED -	STATE OF ILLINOIS DEPARTMENT OF TRANSPORTATION	BRIDGE APPROACH PAVEMENT DETAIL	F.A.P. RTE. 304	SECTION 5A-BR	COUNTY CALHOUN	TOTAL SHEETS 60	SHEET NO. 19	
	PLOT SCALE = #SCALE#	DRAWN -	REVISED -			SCALE:	SHEET NO. 2 OF 4 SHEETS	STA.	TO STA.	FED. ROAD DIST. NO.	ILLINOIS FED. AID PROJECT
	PLOT DATE = #DATE#	CHECKED -	REVISED -								
		DATE	REVISED -								CONTRACT NO. 76886