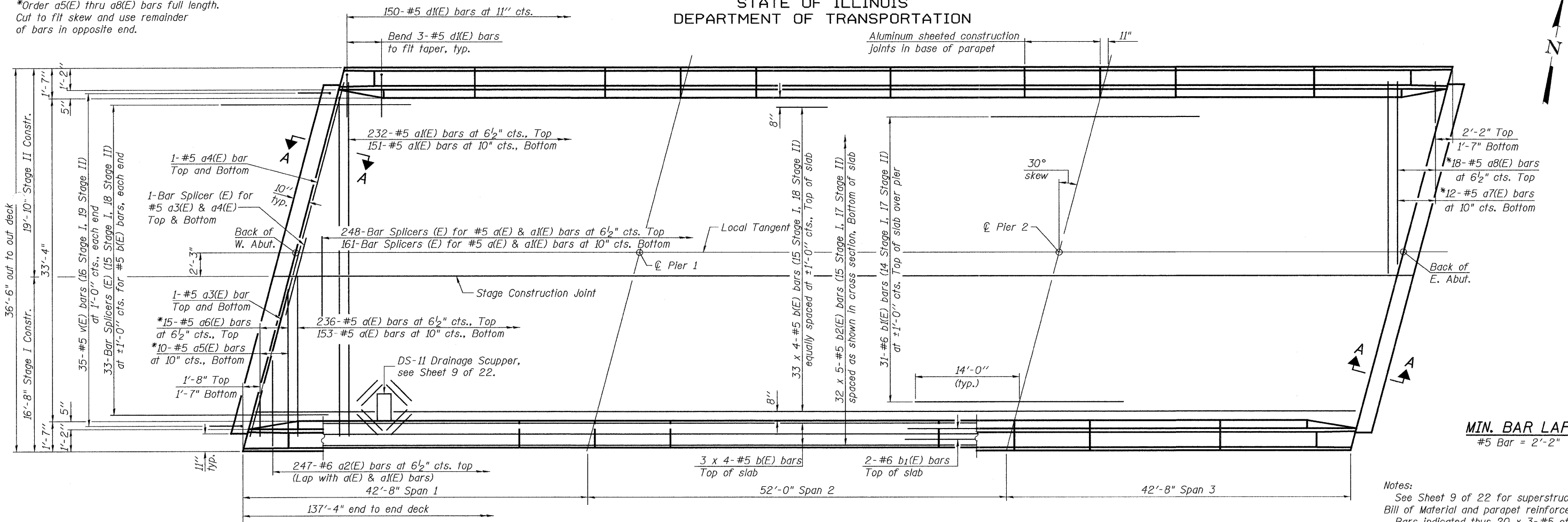


*Order a5(E) thru a8(E) bars full length.
Cut to fit skew and use remainder
of bars in opposite end.

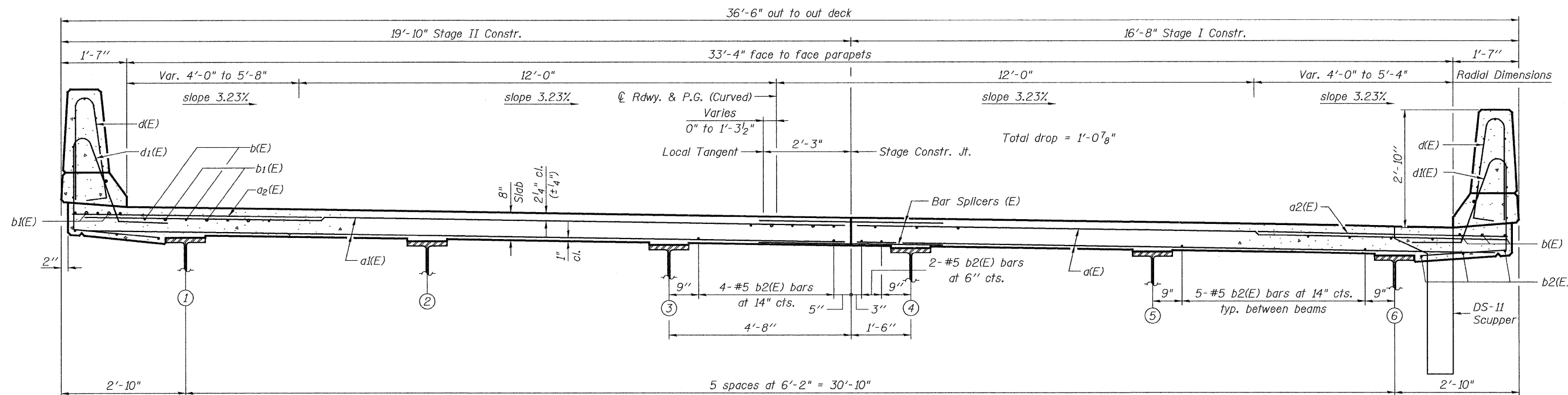
STATE OF ILLINOIS
DEPARTMENT OF TRANSPORTATION



MIN. BAR LAP
#5 Bar = 2'-2"

Notes:
See Sheet 9 of 22 for superstructure details,
Bill of Material and parapet reinforcement.
Bars indicated thus 20 x 3-#5 etc. indicates
20 lines of bars with 3 lengths per line.

PLAN



CROSS SECTION
(Looking East)

NEAR PIER

NEAR MIDSPAN

SUPERSTRUCTURE
ILLINOIS 96 OVER
FOX CREEK
STRUCTURE NO. 007-0028

Johnson, Depp & Quisenberry
CONSULTING ENGINEERS
Springfield, Illinois

DESIGNED: JDQ	DRAWN: PTR
CHECKED: DCD	CHECKED: DCD

SI-2-L 5-16-08

SHEET 7 OF 22	F.A.P. RTE. 304	SECTION 5A-BR	COUNTY CALHOUN	TOTAL SHEETS 60	SHEET NO. 30
	STA. 475+19.62		CONTRACT NO. 76886		
FED. ROAD DIST. NO.		ILLINOIS FED. AID PROJECT			

FILE: J:\JDD\10164 IL-96 Fox Creek-FINAL\FoxCreek\07superstr1.dgn

USER: DCD

DATE: 11/26/2008 10:40:35