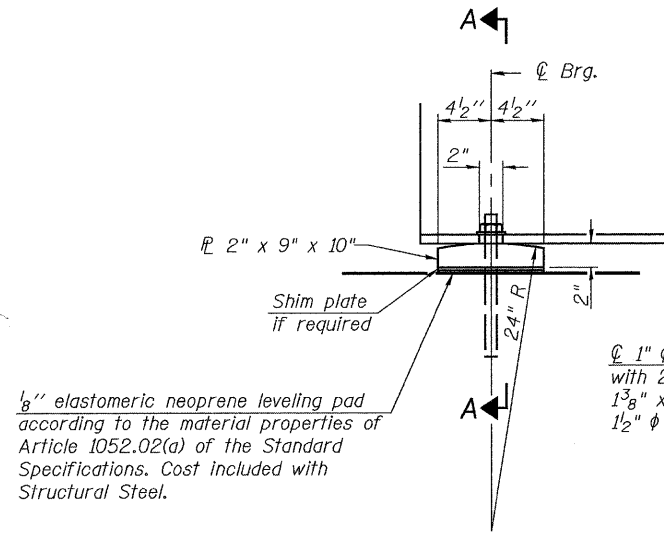


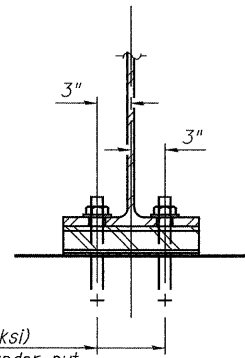
STATE OF ILLINOIS
DEPARTMENT OF TRANSPORTATION



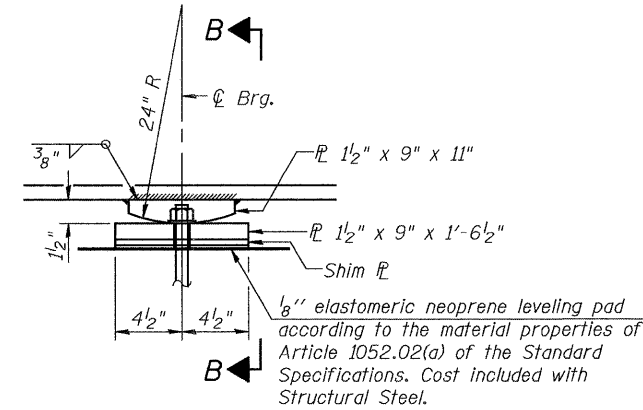
ELEVATION AT ABUTMENT

FIXED BEARING

1" ϕ x 12" anchor bolts (Gr. 36 ksi)
with 2 1/4" x 2 1/4" x 5/16" \mathbb{E} washer under nut.
1 3/8" x 2" slotted hole in flange.
1/2" ϕ holes in bearing plate.

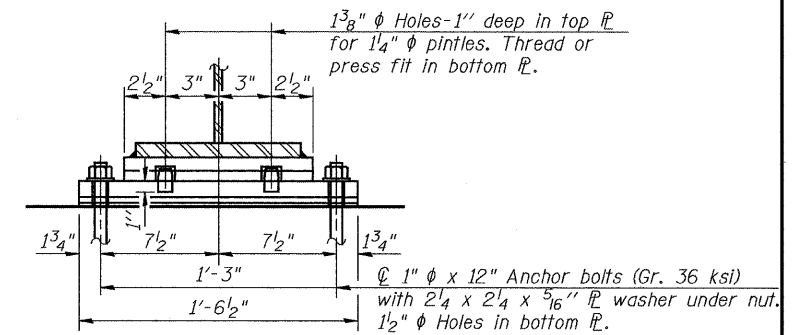


SECTION A-A

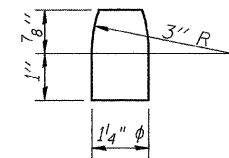


ELEVATION AT PIER

FIXED BEARING



SECTION B-B



PINTLE

Notes:

Anchor bolts shall be ASTM F1554 all-thread (or an Engineer-approved alternate material) of the grade(s) and diameter(s) specified. ASTM A307 Grade C anchor bolts may be used in lieu of ASTM F1554 Grade 36 (Fy=36ksi). The corresponding specified grade of AASHTO M314 anchor bolts may be used in lieu of ASTM F1554.

Anchor bolts at fixed bearings may be either cast in place or installed in holes drilled after the supported member is in place.

Drilled and set anchor bolts shall be installed according to Article 521.06 of the Standard Specifications.

Structural Steel for bearings shall be AASHTO M270 Gr. 50W.

Two 1/8 in. adjusting shims shall be provided for each bearing in addition to all other plates or shims and placed as shown on bearing details.

BILL OF MATERIAL

Item	Unit	Total
Anchor Bolts, 1"	Each	48

BEARING DETAILS
ILLINOIS 96 OVER
FOX CREEK
STRUCTURE NO. 007-0028

SHEET 13 OF 22	F.A.P. RTE.	SECTION	COUNTY	TOTAL SHEETS	SHEET NO.
	304	5A-BR	CALHOUN	60	36
STA. 475+19.62			CONTRACT NO. 76886		
FED. ROAD DIST. NO. ILLINOIS FED. AID PROJECT					

JD Johnson, Depp & Quisenberry
CONSULTING ENGINEERS
Springfield, Illinois

DESIGNED: JDQ	DRAWN: SJS
CHECKED: DCD	CHECKED: DCD