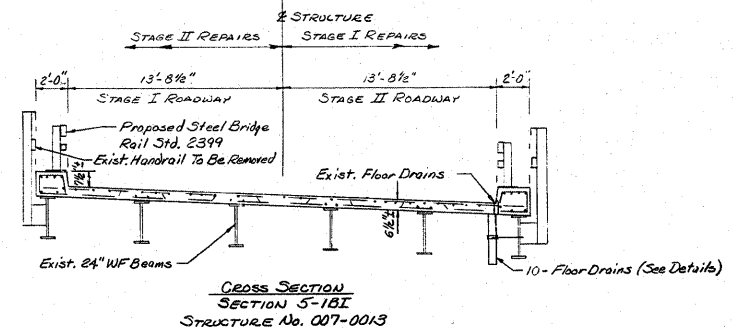
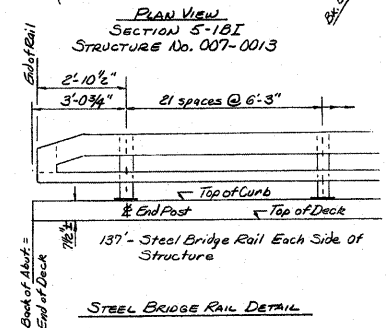
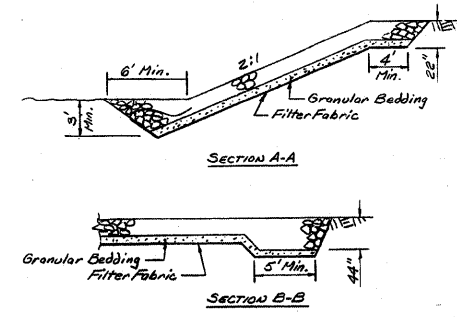
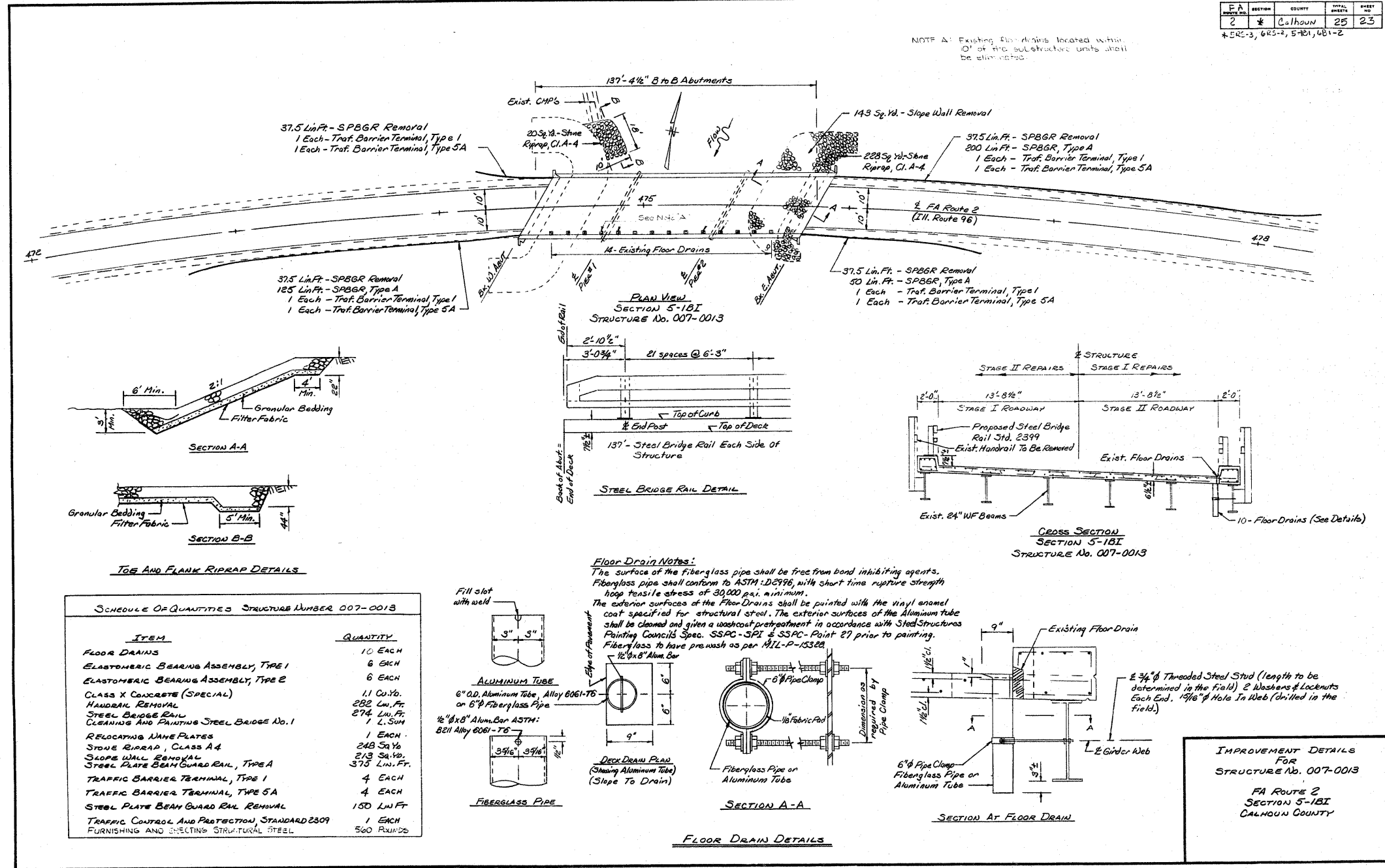


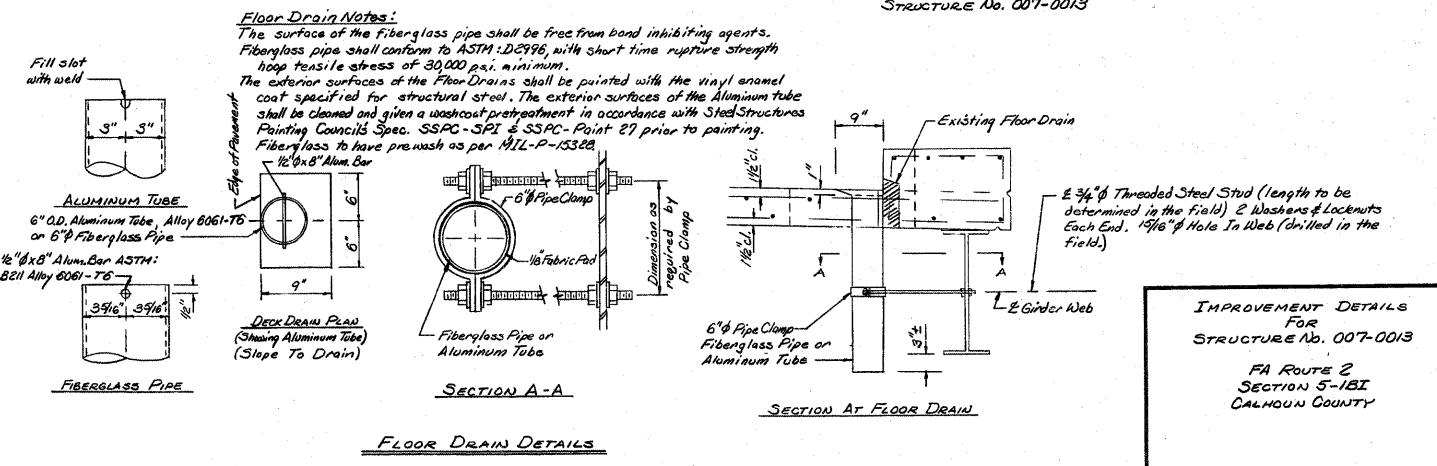
FA ROUTE NO.	SECTION	COUNTY	TOTAL SHEETS	SHEET NO.
2	5A-BR	Calhoun	25	23

NOTE A: Existing floor drains located within 0' of the substructure units shall be eliminated.



TOE AND FLANK RIPRAP DETAILS

SCHEDULE OF QUANTITIES STRUCTURE NUMBER 007-0013	
ITEM	QUANTITY
FLOOR DRAINS	10 EACH
ELASTOMERIC BEARING ASSEMBLY, TYPE I	6 EACH
ELASTOMERIC BEARING ASSEMBLY, TYPE E	6 EACH
CLASS X CONCRETE (SPECIAL)	11 CU. Yd.
HANDRAIL REMOVAL	282 Lin. Ft.
STEEL BRIDGE RAIL	274 Lin. Ft.
CLEANING AND PAINTING STEEL BRIDGE No. 1	1 L. SUM
RELOCATING WANE PLATES	1 EACH
STONE RIPRAP, CLASS A	248 Sq. Yd.
SLOPE WALL REMOVAL	213 Sq. Yd.
STEEL PLATE BEAM GUARD RAIL, TYPE A	375 Lin. Ft.
TRAFFIC BARRIER TERMINAL, TYPE I	4 EACH
TRAFFIC BARRIER TERMINAL, TYPE 5A	4 EACH
STEEL PLATE BEAM GUARD RAIL REMOVAL	150 Lin. Ft.
TRAFFIC CONTROL AND PROTECTION, STANDARD 2309	1 EACH
FURNISHING AND ERECTING STRUCTURAL STEEL	500 POUNDS



IMPROVEMENT DETAILS FOR STRUCTURE No. 007-0013

FA ROUTE 2 SECTION 5-1BI CALHOUN COUNTY

FOR INFORMATION ONLY