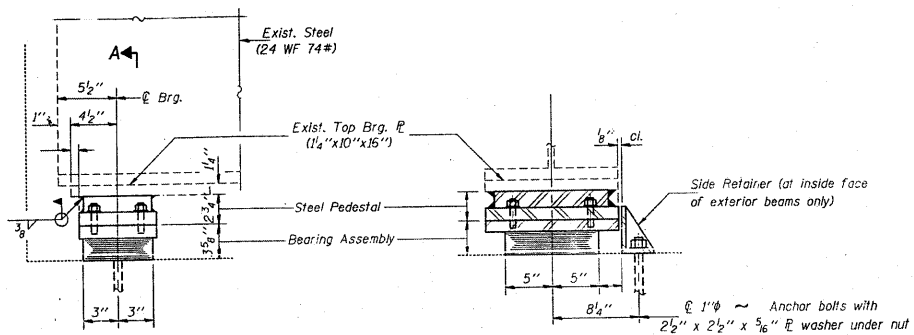


STATE OF ILLINOIS
DEPARTMENT OF TRANSPORTATION

ROUTE NO.	SECTION	COUNTY	SHEET	TOTAL SHEETS
304	5A-BR	CALHOUN	60	52
CONTRACT NO. 76886				

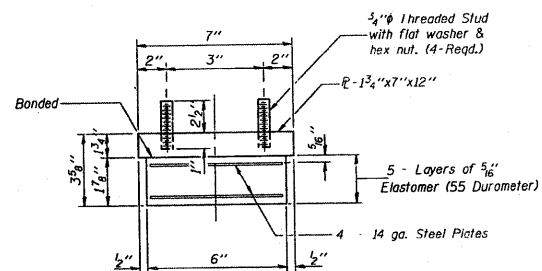


ELEVATION AT ABUT.

SECTION A-A

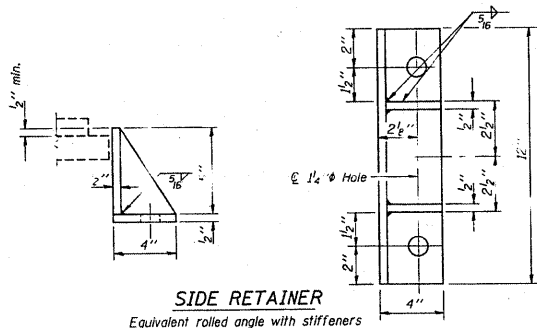
TYPE I ELASTOMERIC EXP. BRG.

Note: Burn off exist. anchor bolts flush with exist. concrete surface. Grind smooth and seal with epoxy.



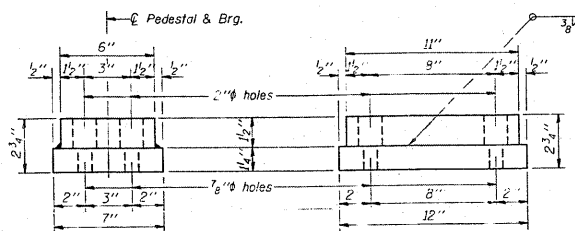
BEARING ASSEMBLY

Note: Shim plates shall not be placed under Bearing Assembly.



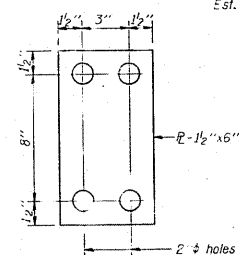
SIDE RETAINER

Equivalent rolled angle with stiffeners will be allowed in lieu of welded plates.

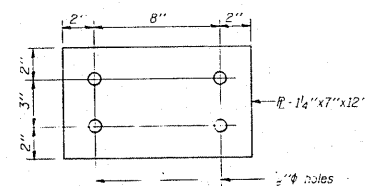


PEDESTAL ELEVATION

(No. Steel Pedestals Req. 3 = 6)
Est. Wt. = 60 Lbs. (each)



PLAN - 1/2" PLATE



PLAN - 1/4" PLATE

Note: New Steel Pedestals, Side Retainers and 1" Anchor Bolts shall be paid for as 'Furn. & Erect. Structural Steel'.

BEAM REACTIONS

Live Load	28.4 kips
Dead Load	12.5 kips
Impact	8.5 kips

BILL OF MATERIAL

Item	Unit	Total
Elastomeric Bearing Assembly Type I	Each	6
Furnishing and Erecting Structural Steel	Lbs.	410

EAST ABUTMENT
ELASTOMERIC BRGS. & PEDESTAL DETAILS
F.A. RT. 2 OVER FOX CREEK
F.A. RT. 2 SEC. 5-1B1
CALHOUN COUNTY
STA. 475 + 15.5

(S.M. 007-001)

DESIGNED <i>R. Brunette</i>	EXAMINED
CHECKED <i>Monette P. Stutte</i>	PASSED
DRAWN <i>r. b. carbonell</i>	APPROVED
CHECKED <i>R. Brunette KM</i>	

I-2-E1 12-1-83

FOR INFORMATION ONLY

FILE NAME = c:\projects\ed02305\plan\pln02305a.dgn	USER NAME = owerbj	DESIGNED -	REVISED -	STATE OF ILLINOIS DEPARTMENT OF TRANSPORTATION	EXISTING STRUCTURE PLAN	F.A.P. RTE. 304	SECTION 5A-BR	COUNTY CALHOUN	TOTAL SHEETS 60	SHEET NO. 52
PLOT SCALE = 50.0000' / IN.	DESIGNED -	REVISED -	CONTRACT NO. 76886							
PLOT DATE = 9/11/2008	DRAWN -	REVISED -	ILLINOIS FED. AID PROJECT							
	CHECKED -	REVISED -								