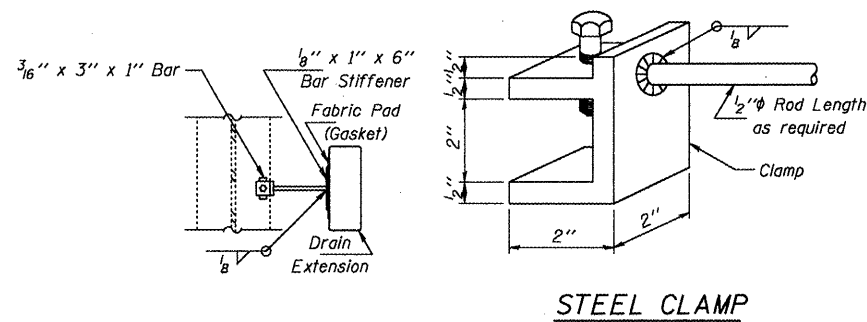
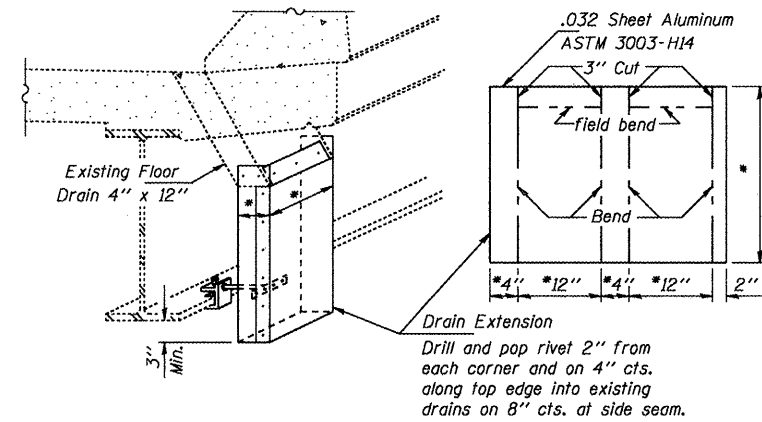
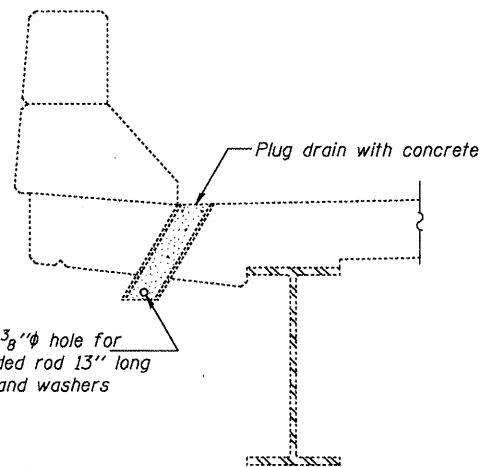


STATE OF ILLINOIS
DEPARTMENT OF TRANSPORTATION

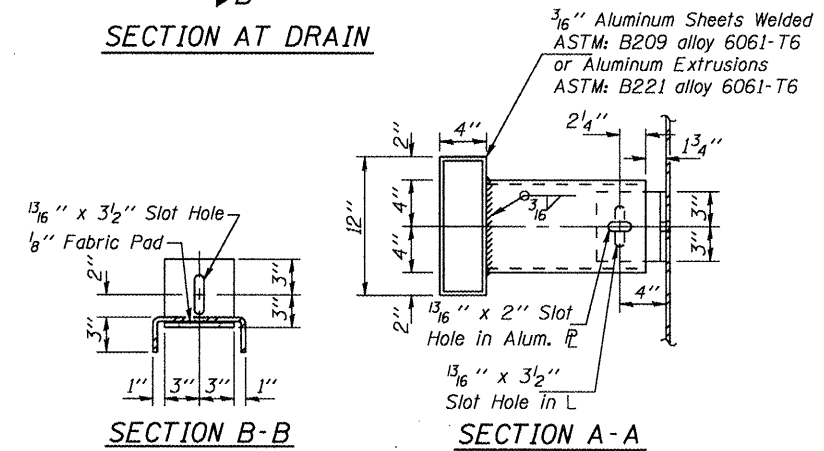
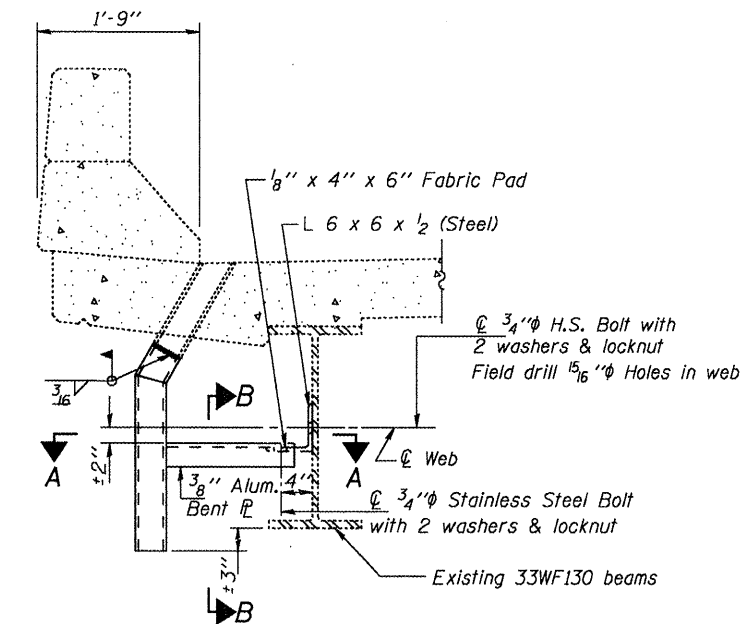


Notes: Pop rivet the 1/8" x 1" bar to Drain Extension. Weld or securely attach rod to both the clamp and bar stiffener. Use 3/16" stainless steel pop rivets of sufficient length. Clamp shown in approximate dimensions. Similar commercially available may be substituted. * Field measure cut to fit existing drain. An aluminum extrusion drain extension of similar dimensions may be substituted.

DRAIN EXTENSION DETAILS



PLUG DRAIN DETAIL



ALTERNATE DRAIN EXTENSION DETAILS

DESIGNED J. Uehle	2008
CHECKED B. Williams	EXAMINED
DRAWN J. Uehle	ENGINEER OF BRIDGE DESIGN
CHECKED B. Williams	PASSED
	ENGINEER OF BRIDGES AND STRUCTURES

DRAIN DETAILS
IL 111/140 OVER WOOD RIVER CREEK

SHEET NO. 6	F.A.P. RTE.	SECTION	COUNTY	TOTAL SHEETS	SHEET NO.
	785	132-4RS	MADISON	12	9
SHEETS 9	SN 060-0187 & 0190		CONTRACT NO. 76B89		
	FED. ROAD DIST. NO. - ILLINOIS FED. AID PROJECT				