

STATE OF ILLINOIS
 DEPARTMENT OF TRANSPORTATION
 DIVISION OF HIGHWAYS

**PROPOSED
 HIGHWAY PLANS**

FAP ROUTE 817 (IL ROUTE 4 / 15)
 SECTION 421R-1

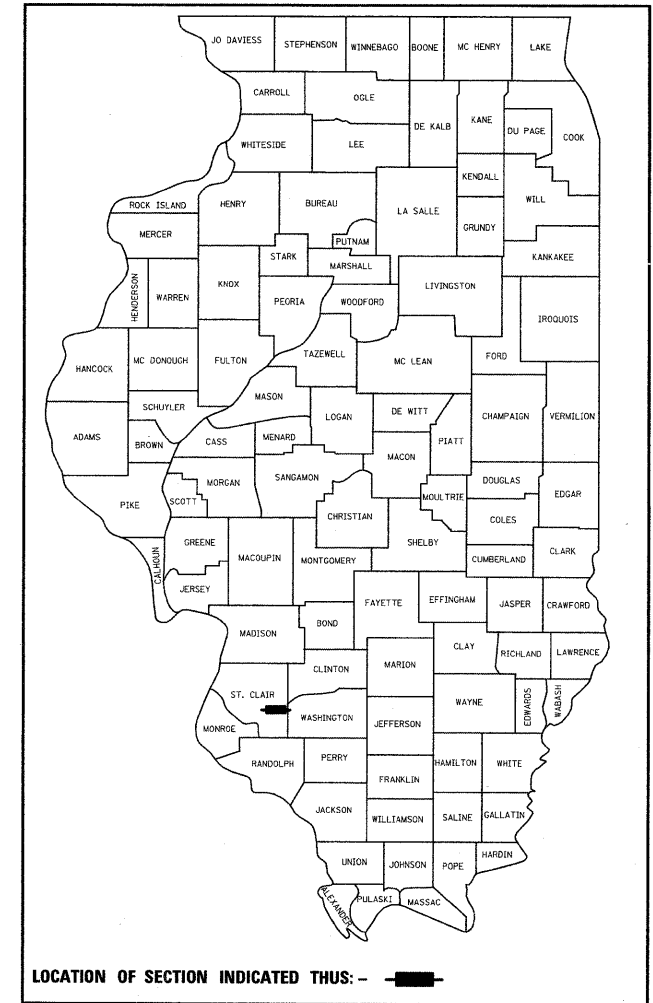
**RUNAROUND CONSTRUCTION
 ST. CLAIR COUNTY**

C-98-014-09

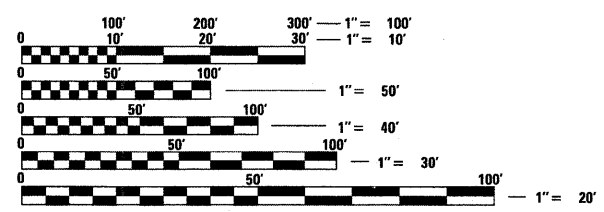
F.A.P. RTE.	SECTION	COUNTY	TOTAL SHEETS	SHEET NO.
817	421R-1	ST. CLAIR	29	1
FED. ROAD DIST. NO.	ILLINOIS	CONTRACT NO. 76C74		

29+1=30

D-98-019-09

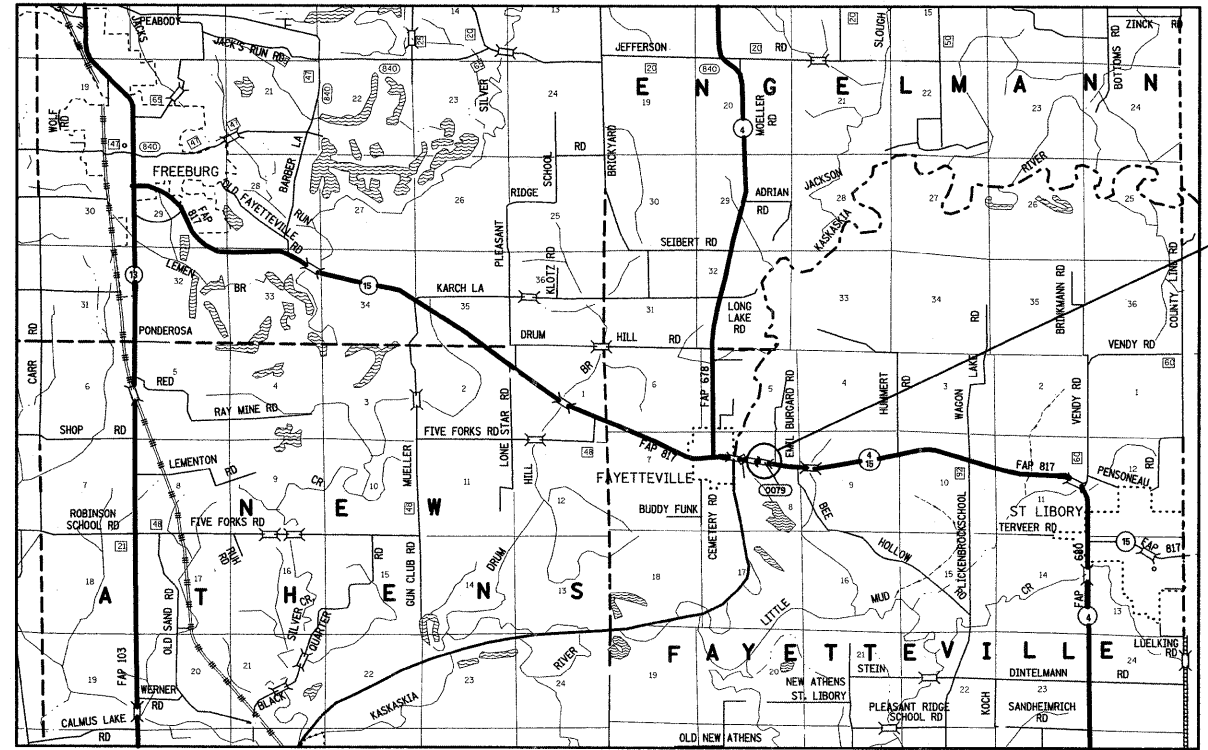


FOR INDEX OF SHEETS, SEE SHEET NO. 2



FULL SIZE PLANS HAVE BEEN PREPARED USING STANDARD ENGINEERING SCALES. REDUCED SIZED PLANS WILL NOT CONFORM TO STANDARD SCALES. IN MAKING MEASUREMENTS ON REDUCED PLANS, THE ABOVE SCALES MAY BE USED.

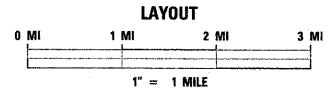
J.U.L.I.E.
 JOINT UTILITY LOCATION INFORMATION FOR EXCAVATION
 1-800-892-0123
 OR 811



TEMPORARY RUNAROUND CONSTRUCTION TO MAINTAIN TRAFFIC DURING STRUCTURE REPLACEMENT PROJECT.
 BEGIN STATION 0+00 = STATION 145+00 (IL 4)
 END STATION 9+41.58 = STATION 154+00 (IL 4)

PROJECT ENGINEER: PATTI LeBEAU (618) 346-3179
 PROJECT MANAGER: ARTHUR MUEHLFELD (618) 346-3209
 CONTRACT NO. 76C74

DESIGN DESIGNATION
 N/A



LATITUDE = 38.37649
 LONGITUDE = 89.78470

ADT = 5000 (2007)
 ADT = 6500 (2029)
 SU = 4.5%
 MU = 3.5%

GROSS LENGTH = 0.18 MI
 NET LENGTH = 0.18 MI

STATE OF ILLINOIS
 DEPARTMENT OF TRANSPORTATION
 DIVISION OF HIGHWAYS

SUBMITTED Dec 18, 2008
Mr. [Signature]
 DEPUTY DIRECTOR OF HIGHWAYS, REGION 5 ENGINEER

January 30, 2009
Charles J. [Signature]
 ENGINEER OF DESIGN AND ENVIRONMENT

January 30, 2009
Christine M. [Signature]
 DIRECTOR OF HIGHWAYS, CHIEF ENGINEER

**PRINTED BY THE AUTHORITY
 OF THE STATE OF ILLINOIS**

INDEX OF SHEETS

- 1 COVER SHEET
- 2 INDEX OF SHEETS, HIGHWAY STANDARDS,
GENERAL NOTES & COMMITMENTS
- 3 SUMMARY OF QUANTITIES
- 4 TYPICAL SECTIONS
- 5 SCHEDULE OF QUANTITIES
- 6-7 PHASE I RUNAROUND CONSTRUCTION
- 8-9 PHASE II RUNAROUND REMOVAL
- 10-11 STORM WATER POLLUTION PREVENTION PLAN
- 12-13 EROSION CONTROL
- 14-15 PLAT OF HIGHWAYS
- 16-17 GUARDRAIL DETAILS
- 19-23 PHASE I CONSTRUCTION CROSS SECTIONS
- 24-29A PHASE II REMOVAL CROSS SECTION
- 18 *ENTRANCE DETAILS*

GENERAL NOTES:

1. THE STANDARDS AND REVISION NUMBERS SHALL APPLY TO THIS PROJECT.
2. THE CONTRACTOR SHALL VERIFY ALL DIMENSIONS AND CONDITIONS IN THE FIELD PRIOR TO CONSTRUCTION AND ORDERING MATERIALS.
3. ILLINOIS STATE LAW REQUIRES A 48-HOUR NOTICE BE GIVEN TO UTILITIES WITHIN THE PROJECT AREA BEFORE DIGGING BY CALLING J.U.L.I.E. AND BY NOTIFYING NON-J.U.L.I.E. MEMBERS INDIVIDUALLY. AGENCIES KNOWN TO HAVE FACILITIES WITHIN THE PROJECT AREA ARE AS FOLLOWS:
 - AMERENIP (GAS & ELECTRIC)
 - AT&T ILLINOIS
 - VILLAGE OF FAYETTEVILLE (WATER & SEWER)
 - VERIZON NORTH, INC.
 MEMBERS OF J.U.L.I.E. (800) 892-0123 OR 811 ARE INDICATED BY *. NON-MEMBERS MUST BE NOTIFIED INDIVIDUALLY.
4. THE RESIDENT ENGINEER SHALL VERIFY THE EXISTENCE OF HIGHWAY LIGHTING AND/OR I.T.S. UTILITIES WITHIN THE PROJECT LIMITS. IF HIGHWAY LIGHTING AND/OR I.T.S. EXISTS WITHIN THE PROJECT LIMITS, AND IF THESE ITEMS REQUIRE LOCATING, THE CONTRACTOR SHALL BE DIRECTED TO DO SO ACCORDING TO SECTION 803 OF THE STANDARD SPECIFICATIONS. THIS WORK SHALL BE PAID FOR ACCORDING TO ARTICLE 109.04 OF THE STANDARD SPECIFICATIONS.
5. ALL EXISTING RIGHT-OF-WAY LINES SHOWN ON THE PLAN SHEETS ARE GRAPHICAL REPRESENTATIONS AND SHALL NOT BE USED AS A MEANS TO ESTABLISH OWNERSHIP. IN ALL MATTERS RELATING TO RIGHT-OF-WAY, THE PLAT OF HIGHWAYS SHALL BE THE CONTROLLING DOCUMENT.
6. THE CONTRACTOR FOR CONTRACT 76885 WILL SUPPLY, INSTALL, MAINTAIN AND REMOVE TRAFFIC CONTROL AND PROTECTION, STANDARD 701331.
7. THE REMOVAL OF THE END SECTIONS PLACED ON TEMPORARY PIPE CULVERTS SHALL BE INCLUDED IN THE COST OF THE END SECTION.
8. THE REMOVAL OF EXISTING END SECTIONS SHALL BE INCLUDED IN THE COST OF PIPE CULVERT REMOVAL.
9. THE PROPOSED TRAFFIC BARRIER TERMINAL ATTACHED TO THE NORTHEAST CORNER OF SN 082-0078 SHALL COMPLY WITH THE DETAILS IN THE PLANS AND MANUFACTURER'S DETAILS IN ORDER TO MATCH THE EXISTING GUARDRAIL ELEMENTS THAT WERE ERECTED PRIOR TO JANUARY 1, 2007.

COMMITMENTS

NONE

HIGHWAY STANDARDS

000001-05	635006-03
280001-04	635011-02
542401-01	701201-03
630001-08	701326-03
630301-05	701901-01

FILE NAME =	USER NAME = owenbj	DESIGNED -	REVISED -	STATE OF ILLINOIS DEPARTMENT OF TRANSPORTATION	INDEX OF SHEETS, HIGHWAY STANDARDS, GENERAL NOTES AND COMMITMENTS	F.A.P. RTE.	SECTION	COUNTY	TOTAL SHEETS	SHEET NO.	
ct\pw\work\pwidot\owenbj\dms51591\p1n8225b.dgn		DRAWN -	REVISED -			817	421R-1	ST. CLAIR	29	2	
PLOT SCALE = 50.0000' / IN.		CHECKED -	REVISED -			CONTRACT NO. 76C74					
PLOT DATE = 12/19/2008		DATE -	REVISED -			FED. ROAD DIST. NO. [ILLINOIS] FED. AID PROJECT					
					SCALE:	SHEET NO. OF SHEETS STA.		TO STA.			

Rev.

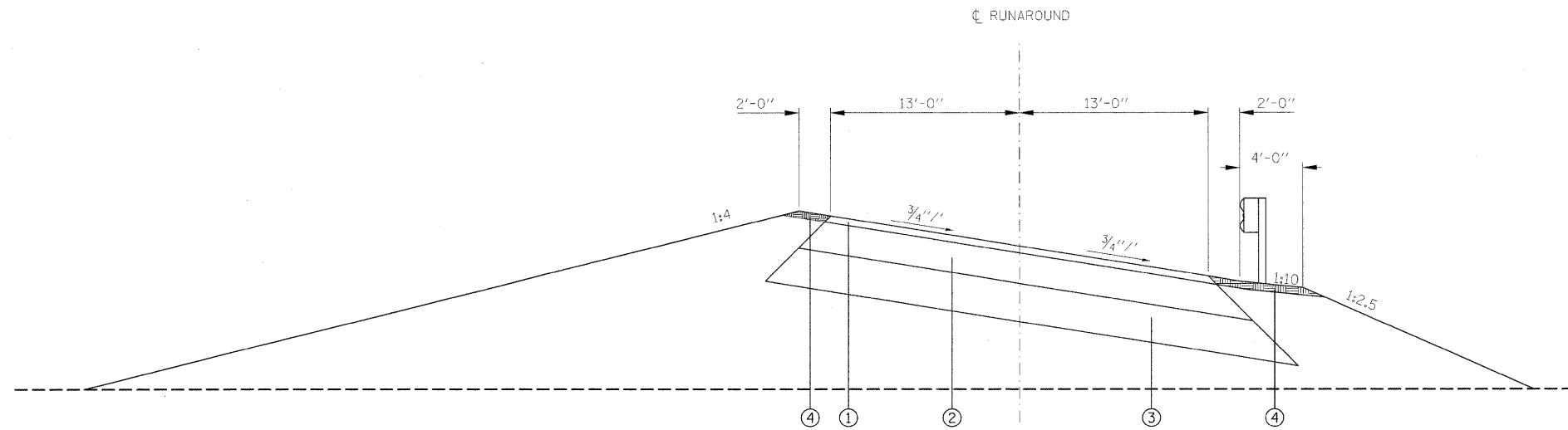
SUMMARY OF QUANTITIES

SUMMARY OF QUANTITIES			CONSTRUCTION TYPE CODE			SUMMARY OF QUANTITIES			CONSTRUCTION TYPE CODE		
CODE NO	ITEM	UNIT	100% STATE TOTAL QUANTITIES	1000-2A		CODE NO	ITEM	UNIT	100% STATE TOTAL QUANTITIES	1000-2A	
20100500	TREE REMOVAL, ACRES	ACRE	0.75	0.75		70100500	TRAFFIC CONTROL AND PROTECTION, STANDARD 701326	L SUM	1	1	
25000400	NITROGEN FERTILIZER NUTRIENT	POUND	225	225		70500100	TEMPORARY STEEL PLATE BEAM GUARD RAIL, TYPE A	FOOT	362.5	362.5	
25000500	PHOSPHORUS FERTILIZER NUTRIENT	POUND	225	225		* 78200410	GUARDRAIL MARKERS, TYPE A	EACH	5	5	
25000600	POTASSIUM FERTILIZER NUTRIENT	POUND	225	225		* 78201000	TERMINAL MARKER - DIRECT APPLIED	EACH	3	3	
20200100	EARTH EXCAVATION	CU YD	14250	14250		X7050167	TEMPORARY TRAFFIC BARRIER TERMINAL, TYPE 1, SPECIAL (TANGENT)	EACH	3	3	
20400800	FURNISHED EXCAVATION	CU YD	12650	12650							
25000200	SEEDING, CLASS 2	ACRE	2.5	2.5							
25100115	MULCH, METHOD 2	ACRE	2.5	2.5							
25100630	EROSION CONTROL BLANKET	SQ YD	810	810							
28000250	TEMPORARY EROSION CONTROL SEEDING	POUND	250	250							
28000300	TEMPORARY DITCH CHECKS	EACH	1	1							
28000400	PERIMETER EROSION BARRIER	FOOT	1515	1515							
28000500	INLET AND PIPE PROTECTION	EACH	4	4							
35100700	AGGREGATE BASE COURSE, TYPE A 8"	SQ YD	2250	2250							
40200700	AGGREGATE SURFACE COURSE, TYPE A 8"	SQ YD	470	470							
40603085	HOT-MIX ASPHALT BINDER COURSE, IL-19.0, N70	TON	725	725							
40603340	HOT-MIX ASPHALT SURFACE COURSE, MIX "D", N70	TON	190	190							
44000100	PAVEMENT REMOVAL	SQ YD	2250	2250							
44004250	PAVED SHOULDER REMOVAL	SQ YD	90	90							
48100500	AGGREGATE SHOULDERS, TYPE A 6"	SQ YD	55	55							
48203029	HOT-MIX ASPHALT SHOULDERS, 8"	SQ YD	90	90							
50105220	PIPE CULVERT REMOVAL	FOOT	60	60							
54213459	END SECTIONS 24"	EACH	6	6							
54213471	END SECTIONS 36"	EACH	4	4							
5422D024	PIPE CULVERTS, CLASS D, TYPE 2 24" (TEMPORARY)	FOOT	255	255							
5422D036	PIPE CULVERTS, CLASS D, TYPE 2 36" (TEMPORARY)	FOOT	50	50							
542D1081	PIPE CULVERTS, CLASS D, TYPE 2 36"	FOOT	60	60							
* 63000000	STEEL PLATE BEAM GUARD RAIL, TYPE A	FOOT	200	200							
63200310	GUARDRAIL REMOVAL	FOOT	225	225							
67000400	ENGINEER'S FIELD OFFICE, TYPE A	CAL MO	3	3							
67100100	MOBILIZATION	L SUM	1	1							
70100450	TRAFFIC CONTROL AND PROTECTION, STANDARD 701201	L SUM	1	1							

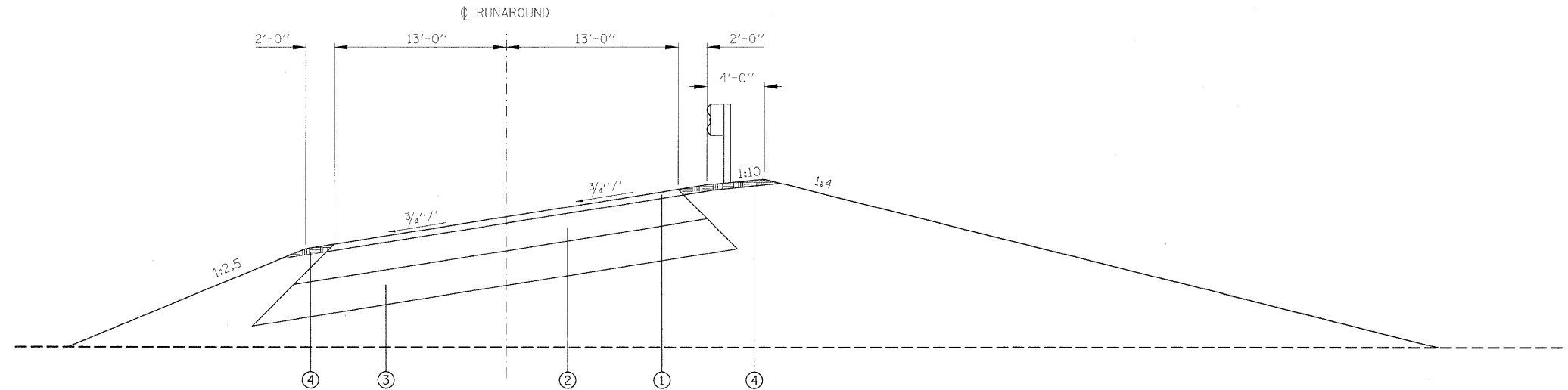
**Specialty Items*

Rev.

FILE NAME =	USER NAME = owebj	DESIGNED -	REVISED -	STATE OF ILLINOIS DEPARTMENT OF TRANSPORTATION	SUMMARY OF QUANTITIES	F.A.P. RTE.	SECTION	COUNTY	TOTAL SHEETS	SHEET NO.	
cr:\pw_work\p\dot\owebj\dms51591\p1n02205b.dgn		DRAWN -	REVISED -			817	42IR-1	ST. CLAIR	29	3	
PLOT SCALE = 50.0000' / IN.		CHECKED -	REVISED -			CONTRACT NO. 76C74					
PLOT DATE = 12/19/2008		DATE -	REVISED -			SCALE:	SHEET NO.	OF	SHEETS	STA.	TO STA.



TYPICAL SECTION
STATION 3+46.11 TO STATION 6+62.23



TYPICAL SECTION
STATION 0+38.28 TO STATION 1+14.11
STATION 8+34.23 TO STATION 9+03.30

NOTE: TRANSITION OCCURS FROM STA. 1+14.11 TO STA. 3+46.11
AND FROM STA. 6+62.23 TO STA. 8+34.23

LEGEND

- ① PROPOSED HOT-MIX ASPHALT SURFACE COURSE-1 1/2"
- ② PROPOSED HOT-MIX ASPHALT BINDER COURSE-5"
- ③ PROPOSED AGGREGATE SUBBASE-8"
- ④ PROPOSED EARTH SHOULDER

MIXTURE CHART

MIXTURE USE	SURFACE	BINDER	SHOULDER
AC/PG	PG 64-22	PG 64-22	PG 64-22
RAP % (MAX)	10%	15%	30%
DESIGN AIR VOIDS	4.0% @ Ndes=70	4.0% @ Ndes=70	2.0% @ Ndes=30
MIX COMPOSITION (GRADATION MIXTURE)			
FRICITION AGG	MIXTURE "D"	MIXTURE "B"	BAM

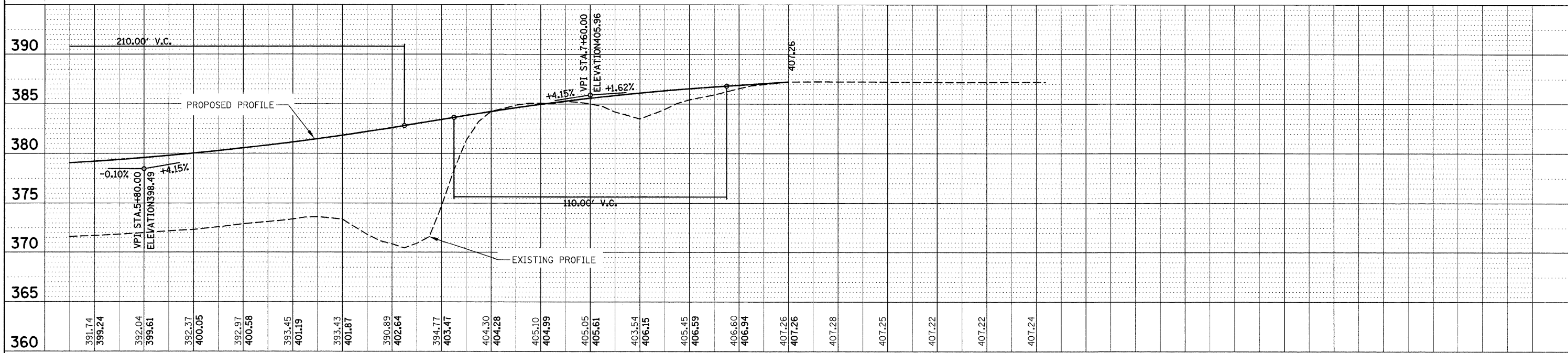
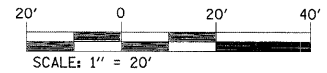
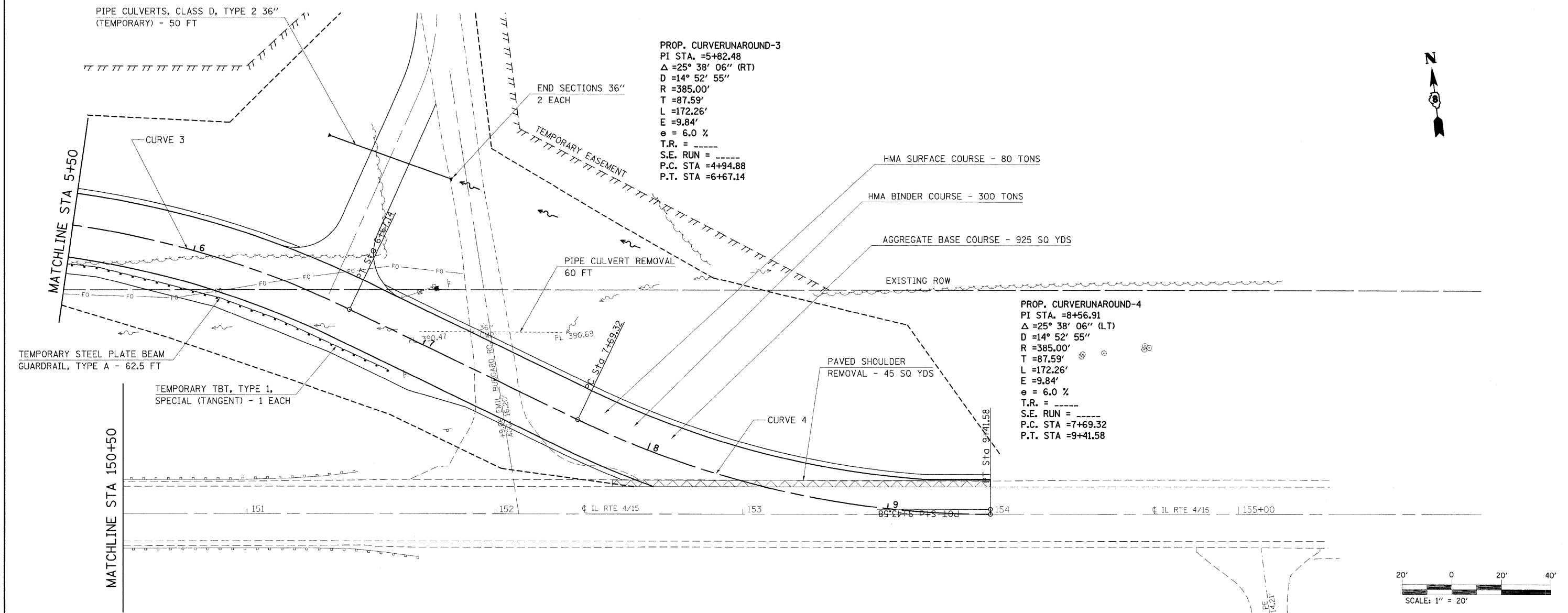
EARTHWORK SCHEDULE

LOCATION STATION TO STATION	EARTH EXCAVATION	EARTH EXCAVATION ADJUSTED FOR SHRINKAGE (25%)	EMBANKMENT	EARTHWORK BALANCE WASTE (+) OR SHORTAGE (-)
	CU YD	CU YD	CU YD	CUYD
PHASE I - RUNAROUND CONSTRUCTION				
STA 0+50.00 TO STA 1+00.00	34.5	25.9	281.6	-255.7
STA 1+00.00 TO STA 1+50.00	37.6	28.2	723.3	-695.1
STA 1+50.00 TO STA 2+00.00	11.6	8.7	1105.3	-1096.7
STA 2+00.00 TO STA 2+50.00			1387.9	-1388.0
STA 2+50.00 TO STA 3+00.00			1369.9	-1370.0
STA 3+00.00 TO STA 3+50.00			1186.7	-1186.8
STA 3+50.00 TO STA 4+00.00			981.0	-981.1
STA 4+00.00 TO STA 4+50.00			838.9	-838.9
STA 4+50.00 TO STA 5+00.00			755.9	-755.9
STA 5+00.00 TO STA 5+50.00			702.4	-702.4
STA 5+50.00 TO STA 6+00.00			714.6	-714.6
STA 6+00.00 TO STA 6+57.14			1182.6	-1182.7
STA 6+57.14 TO STA 7+00.00	273.1	204.8	815.9	-611.1
STA 7+00.00 TO STA 7+50.00	389.0	291.8	551.8	-260.1
STA 7+50.00 TO STA 8+00.00	87.4	65.6	453.4	-387.9
STA 8+00.00 TO STA 8+50.00	31.8	23.9	216.8	-193.0
SUBTOTAL	865	63	13268	-12620
PHASE II - RUNAROUND REMOVAL				
STA 0+50.00 TO STA 1+00.00	211.7	158.8	11.5	147.2
STA 1+00.00 TO STA 1+50.00	617.5	463.1	16.4	446.6
STA 1+50.00 TO STA 2+00.00	1053.0	789.8	7.3	782.4
STA 2+00.00 TO STA 2+50.00	1375.0	1031.3	8.5	1022.7
STA 2+50.00 TO STA 3+00.00	1415.6	1061.7	52.5	1009.1
STA 3+00.00 TO STA 3+50.00	1151.7	863.8	104.6	759.1
STA 3+50.00 TO STA 4+00.00	950.6	713.0	60.6	652.3
STA 4+00.00 TO STA 4+50.00	914.1	685.6		685.5
STA 4+50.00 TO STA 5+00.00	794.2	595.7		595.6
STA 5+00.00 TO STA 5+50.00	733.1	549.8		549.7
STA 5+50.00 TO STA 6+00.00	725.4	544.1	24.4	519.6
STA 6+00.00 TO STA 6+57.14	1166.4	874.8	57.5	817.2
STA 6+57.14 TO STA 7+00.00	886.2	664.7	22.2	642.4
STA 7+00.00 TO STA 7+50.00	708.1	531.1	42.3	488.7
STA 7+50.00 TO STA 8+00.00	509.1	381.8	51.6	330.1
STA 8+00.00 TO STA 8+50.00	173.3	130.0	16.2	113.7
SUBTOTAL	13385	6912	476	9562
TOTAL	14250			

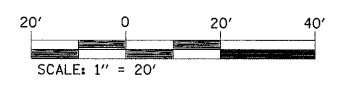
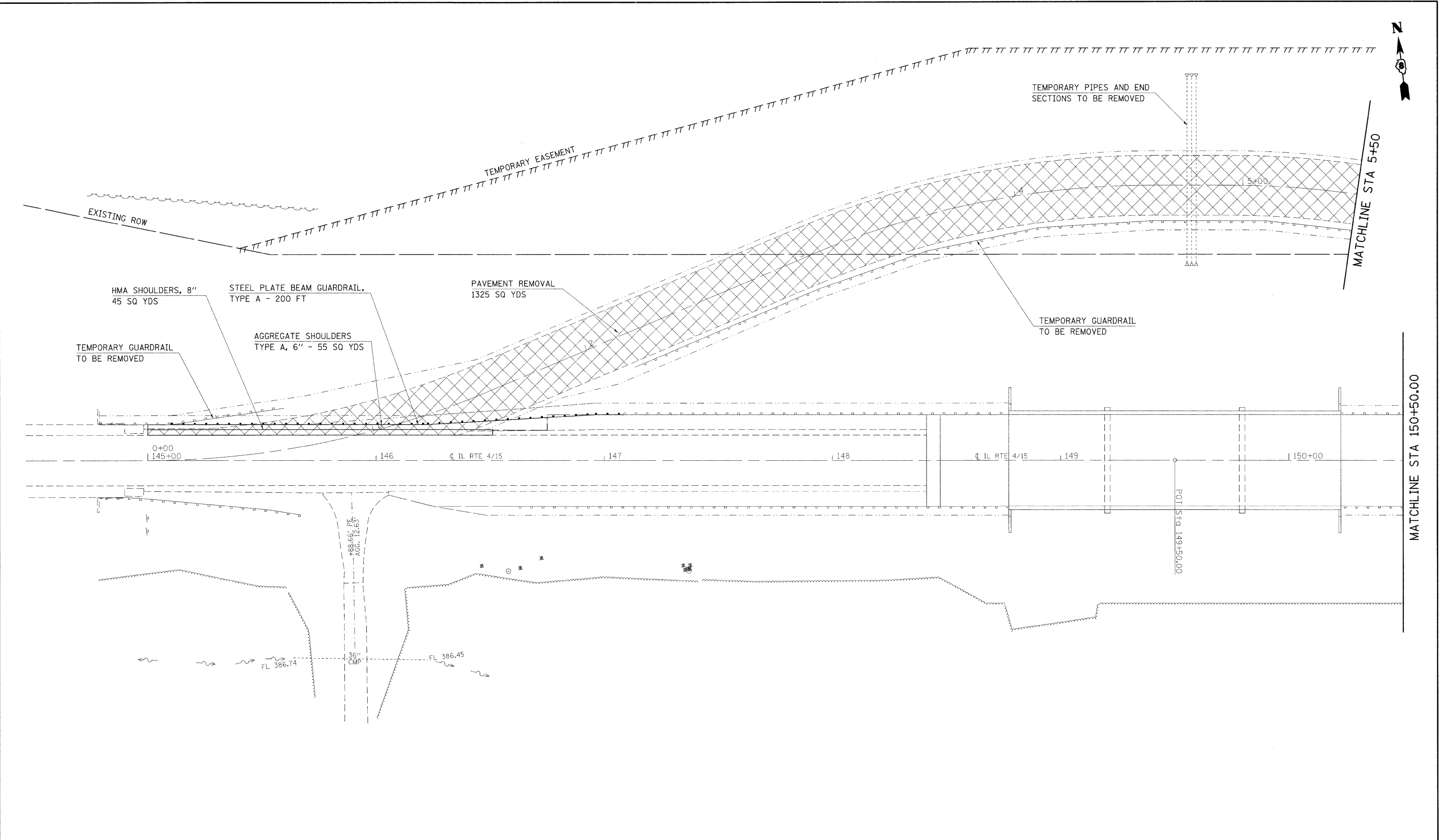
FILE NAME =	USER NAME = owenbj	DESIGNED -	REVISED -	STATE OF ILLINOIS DEPARTMENT OF TRANSPORTATION	SCHEDULE OF QUANTITIES	F.A.P. RTE.	SECTION	COUNTY	TOTAL SHEETS	SHEET NO.
o:\pwork\pwork\owenbj\dms51591\p1n02285b.dgn	DRAWN -	REVISED -	817			421R-1	ST. CLAIR	29	5	
PLOT SCALE = 50.0000' / IN.	CHECKED -	REVISED -	CONTRACT NO. 76C74							
PLOT DATE = 12/19/2006	DATE -	REVISED -	FED. ROAD DIST. NO. ILLINOIS FED. AID PROJECT							
				SCALE:	SHEET NO. OF SHEETS	STA.	TO STA.			

PLAN	REVISIONS	DATE
NO.		
NOTE BOOK	ALIGNED CHECKED	
NO.	CAD FILE NAME	

PROFILE	REVISIONS	DATE
NO.		
NOTE BOOK	GRADES CHECKED	
NO.	STRUCTURE NOTATIONS CHKD	



FILE NAME =	USER NAME = owenbj	DESIGNED -	REVISED -	STATE OF ILLINOIS DEPARTMENT OF TRANSPORTATION	PHASE I - RUNAROUND CONSTRUCTION	F.A.P. RTE.	SECTION	COUNTY	TOTAL SHEETS	SHEET NO.
ca:\pwwork\pwwork\owenbj\dms51591\pin022006.dgn		DRAWN -	REVISED -			817	421R-1	ST. CLAIR	29	7
PLOT SCALE = 20.0000' / IN.		CHECKED -	REVISED -			CONTRACT NO. 76C74				
PLOT DATE = 12/19/2006		DATE -	REVISED -			ILLINOIS FED. AID PROJECT				



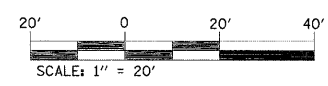
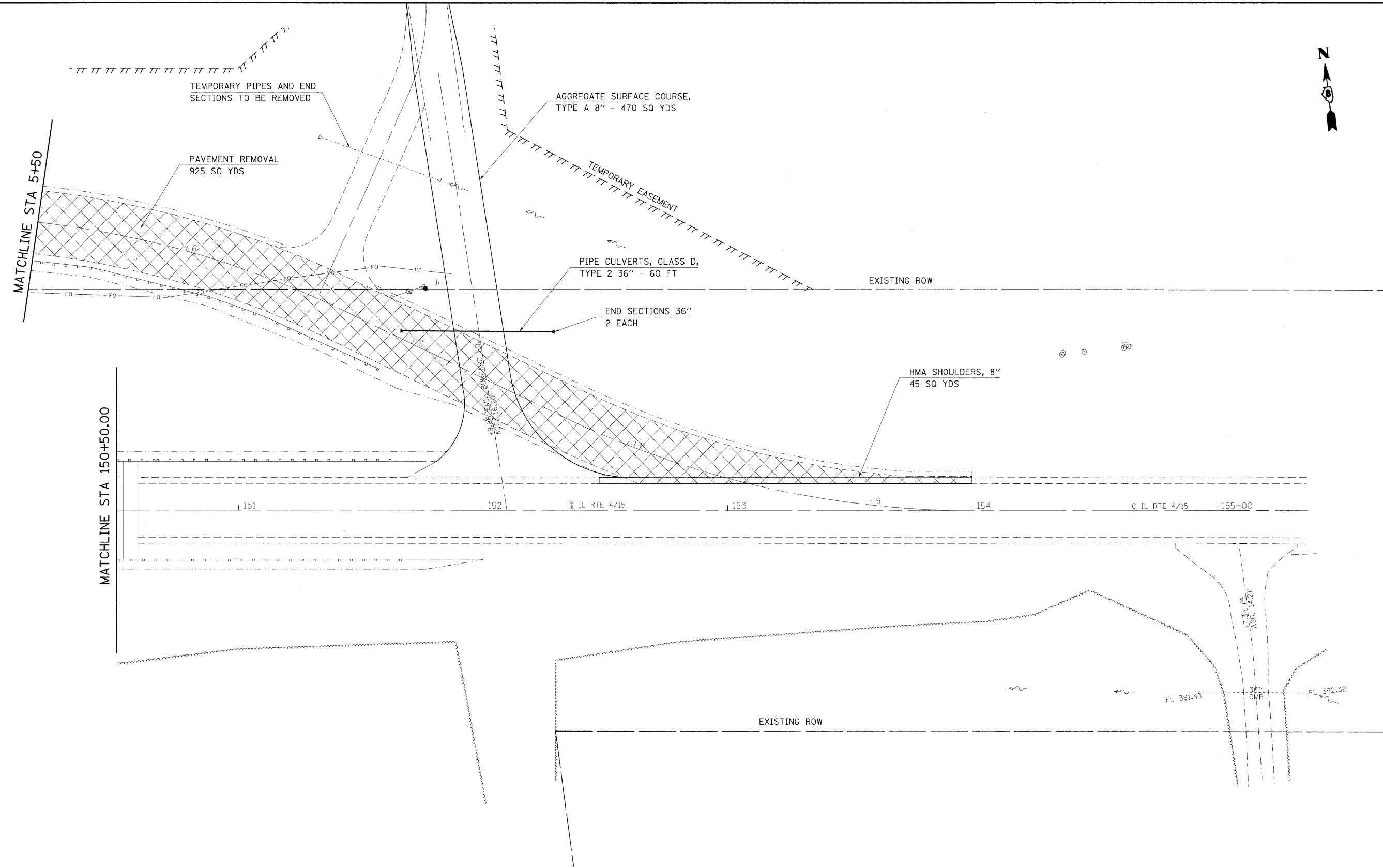
FILE NAME =	USER NAME = owerbj	DESIGNED -	REVISED -
c:\pwork\pwork\overbj\dms51591\p1n2235b.dgn		DRAWN -	REVISED -
PLOT SCALE = 20,0000 ' / IN.		CHECKED -	REVISED -
PLOT DATE = 12/19/2008		DATE -	REVISED -

**STATE OF ILLINOIS
DEPARTMENT OF TRANSPORTATION**

PHASE II - RUNAROUND REMOVAL

SCALE: SHEET NO. 1 OF 2 SHEETS STA. TO STA.

F.A.P. RTE.	SECTION	COUNTY	TOTAL SHEETS	SHEET NO.
817	421R-1	ST. CLAIR	29	8
CONTRACT NO. 76C74				
FED. ROAD DIST. NO. ILLINOIS FED. AID PROJECT				



FILE NAME =	USER NAME = owenbj	DESIGNED -	REVISED -	STATE OF ILLINOIS DEPARTMENT OF TRANSPORTATION	PHASE II - RUNAROUND REMOVAL	F.A.P. RTE.	SECTION	COUNTY	TOTAL SHEETS	SHEET NO.
ca:\pwork\pwork\owenbj\dms51591\pin022395b.dgn	PLOT SCALE = 20.0000 "/>									

THIS PLAN HAS BEEN PREPARED TO COMPLY WITH THE PROVISIONS OF THE NPDES PERMIT NUMBER ILR10, ISSUED BY THE ILLINOIS ENVIRONMENTAL PROTECTION AGENCY ON MAY 30, 2003 FOR STORM WATER DISCHARGES FROM CONSTRUCTION SITE ACTIVITIES. THIS PLAN HAS ALSO BEEN PREPARED TO COMPLY WITH THE PROVISIONS OF NPDES PERMIT NUMBER ILR40 FOR DISCHARGES FROM SMALL MUNICIPAL SEPARATE STORM SEWER SYSTEMS IF CHECKED BELOW.

NPDES PERMITS ASSOCIATED WITH THIS PROJECT:

- ILR10
- ILR40 PERMIT NO. 0493

I CERTIFY UNDER PENALTY OF LAW THAT THIS DOCUMENT AND ALL ATTACHMENTS WERE PREPARED UNDER MY DIRECTION OR SUPERVISION IN ACCORDANCE WITH A SYSTEM DESIGNED TO ASSURE THAT QUALIFIED PERSONNEL PROPERLY GATHERED AND EVALUATED THE INFORMATION SUBMITTED. BASED ON MY INQUIRY OF THE PERSON OR PERSONS WHO MANAGE THE SYSTEM, OR THOSE PERSONS DIRECTLY RESPONSIBLE FOR GATHERING THE INFORMATION, THE INFORMATION SUBMITTED IS, TO THE BEST OF MY KNOWLEDGE AND BELIEF, TRUE, ACCURATE AND COMPLETE. I AM AWARE THAT THERE ARE SIGNIFICANT PENALTIES FOR SUBMITTING FALSE INFORMATION, INCLUDING THE POSSIBILITY OF FINE AND IMPRISONMENT FOR KNOWING VIOLATIONS.

 MARY C. LAMIE
 PRINT NAME
 DEPUTY DIRECTOR OF HIGHWAYS
 REGION FIVE ENGINEER
 TITLE
 IL DEPT. OF TRANSPORTATION
 AGENCY

Mary C. Lamie
 SIGNATURE
 Dec. 18, 2008
 DATE

I. SITE DESCRIPTION:

A. THE FOLLOWING IS A DESCRIPTION OF THE PROJECT LOCATION:

THIS PROJECT CARRIES IL 4 / IL 15 AROUND THE STRUCTURE OVER KASKASKIA RIVER OVERFLOW, 0.39 MILES EAST OF FAYETTEVILLE.

B. THE FOLLOWING IS A DESCRIPTION OF THE CONSTRUCTION ACTIVITY WHICH IS THE SUBJECT OF THIS PLAN:

THIS PROJECT INCLUDES THE CONSTRUCTION OF THE RUNAROUND AND TEMPORARY RELOCATION OF AN ENTRANCE FOR REPLACING STRUCTURE NUMBER 082-0079. THE WORK WILL INCLUDE TREE REMOVAL, EXCAVATION, FURNISHED EXCAVATION, TEMPORARY PIPE CULVERTS, AGGREGATE BASE COURSE, HOT MIX ASPHALT BASE COURSE, HOT MIX ASPHALT SURFACE COURSE, ALONG WITH ALL NECESSARY AND COLLATERAL WORK TO COMPLETE THE CONSTRUCTION OF THE RUNAROUND AS SHOWN ON THE PLANS AND SPECIAL PROVISIONS. AFTER STRUCTURE NUMBER 082-0079 (CONTRACT NO. 76885) IS OPEN TO TRAFFIC THE ABOVE MENTIONED WORK WILL BE REMOVED AND THE ENTRANCE REESTABLISHED TO ITS ORIGINAL LOCATION.

C. THE FOLLOWING IS A DESCRIPTION OF THE INTENDED SEQUENCE OF MAJOR ACTIVITIES WHICH WILL DISTURB SOILS FOR MAJOR PORTIONS OF THE CONSTRUCTION SITE, SUCH AS GRUBBING, EXCAVATION AND GRADING:

DESCRIPTION OF INTENDED SEQUENCE FOR MAJOR CONSTRUCTION ACTIVITIES WHICH WILL DISTURB SOILS FOR MAJOR PORTIONS OF THE CONSTRUCTION SITE:

THE PLACEMENT OF THE FURNISHED EXCAVATION TO BRING THE GROUND UP TO THE PROPOSED ELEVATION REQUIRED FOR THE ROADWAY, ALONG WITH THE REMOVAL AND RELOCATION OF AN EXISTING ENTRANCE AT STATION 6+57.

ONCE THE STRUCTURE IS COMPLETE THE RUNAROUND AND ALL FURNISHED EXCAVATION WILL BE REMOVED FROM THE SITE. THE ENTRANCE WILL BE REESTABLISHED TO ITS ORIGINAL LOCATION.

D. THE TOTAL AREA OF THE CONSTRUCTION SITE IS ESTIMATED TO BE 2.0 ACRES.

THE TOTAL AREA OF THE SITE THAT IS ESTIMATED WILL BE DISTURBED BY EXCAVATION, GRADING OR OTHER ACTIVITIES IS 1.5 ACRES.

E. THE FOLLOWING IS A WEIGHTED AVERAGE OF THE RUNOFF COEFFICIENT FOR THIS PROJECT AFTER CONSTRUCTION ACTIVITIES ARE COMPLETED: 0.6

F. THE FOLLOWING IS A DESCRIPTION OF THE SOIL TYPES FOUND AT THE PROJECT SITE FOLLOWED BY INFORMATION REGARDING THEIR EROSIVITY:

THE SOIL TYPE LOCATED WITHIN THE LIMITS OF THE TEMPORARY RUNAROUND IS ORTHENTS, SILTY (801C). IT IS A WELL DRAINED SOIL WITH MODERATE TO MODERATELY SLOW PERMEABILITY. THE SOIL IS NOT FLOODED WITH 3 - 10 % SLOPES. THIS SOIL HAS A HIGH SUSCEPTIBILITY TO WATER EROSION AND A LOW SUSCEPTIBILITY TO WIND EROSION.

G. THE FOLLOWING IS A DESCRIPTION OF POTENTIALLY EROSION AREAS ASSOCIATED WITH THIS PROJECT:

THE ENTIRE RUNAROUND SLOPES (1:4 ON THE LEFT AND 1:2.5 ON THE RIGHT) HAVE POTENTIAL FOR EROSION. THIS AREA WILL BE FILL MATERIAL AND THE TYPE OF SOIL WILL BE GOVERNED BY THE SPECIAL PROVISION EMBANKMENT. ONCE THE FURNISHED EMBANKMENT IS REMOVED THE EXISTING SOIL CONDITION WILL HAVE POTENTIAL FOR EROSION.

H. THE FOLLOWING IS A DESCRIPTION OF SOIL DISTURBING ACTIVITIES, THEIR LOCATIONS, AND THEIR EROSION FACTORS (E.G. STEEPNESS OF SLOPES, LENGTH OF SLOPES, ETC):

THE NATURE AND PURPOSE OF THE SOIL DISTURBING ACTIVITIES INCLUDE CLEARING, TREE REMOVAL, HAULING AND PLACEMENT OF FURNISHED EXCAVATION FOR THE EXTENT OF THE TEMPORARY RUNAROUND. WHEN THE RUNAROUND IS REMOVED THE CONSTRUCTION ACTIVITIES WILL INCLUDE THE REMOVAL OF THE EMBANKMENT FOR THE EXTENT OF THE TEMPORARY RUNAROUND AND REESTABLISHING THE ENTRANCE TO ITS ORIGINAL LOCATION. THE RUNOFF COEFFICIENTS, BEFORE VEGETATION HAS ESTABLISHED WILL BE 0.60 AFTER VEGETATION HAS ESTABLISHED WILL BE 0.35.

I. SEE THE EROSION CONTROL PLANS AND/OR DRAINAGE PLANS FOR THIS CONTRACT FOR INFORMATION REGARDING DRAINAGE PATTERNS, APPROXIMATE SLOPES ANTICIPATED BEFORE AND AFTER MAJOR GRADING ACTIVITIES, LOCATIONS WHERE VEHICLES ENTER OR EXIT THE SITE AND CONTROLS TO PREVENT OFF SITE SEDIMENT TRACKING (TO BE ADDED AFTER CONTRACTOR IDENTIFIES LOCATIONS), AREAS OF SOIL DISTURBANCE, THE LOCATION OF MAJOR STRUCTURAL AND NON-STRUCTURAL CONTROLS IDENTIFIED IN THE PLAN, THE LOCATION OF AREAS WHERE STABILIZATION PRACTICES ARE EXPECTED TO OCCUR, SURFACE WATERS (INCLUDING WETLANDS) AND LOCATIONS WHERE STORM WATER IS DISCHARGED TO SURFACE WATER INCLUDING WETLANDS.

J. THE FOLLOWING IS A LIST OF RECEIVING WATER(S) AND THE ULTIMATE RECEIVING WATER(S), AND AERIAL EXTENT OF WETLAND ACREAGE AT THE SITE. THE LOCATION OF THE RECEIVING WATERS CAN BE FOUND ON THE EROSION AND SEDIMENT CONTROL PLANS:

KASKASKIA RIVER OVERFLOW ULTIMATELY TO THE KASKASKIA RIVER.

K. THE FOLLOWING POLLUTANTS OF CONCERN WILL BE ASSOCIATED WITH THIS CONSTRUCTION PROJECT: (CHECK ALL THAT APPLY)

- SOIL SEDIMENT
- CONCRETE
- CONCRETE TRUCK WASTE
- CONCRETE CURING COMPOUNDS
- SOLID WASTE DEBRIS
- PAINTS
- SOLVENTS
- FERTILIZERS / PESTICIDES
- PETROLEUM (GAS, DIESEL, OIL, KEROSENE, HYDRAULIC OIL/FLUIDS)
- ANTIFREEZE / COOLANTS
- WASTE WATER FROM CLEANING CONSTRUCTION EQUIPMENT
- OTHER (SPECIFY).....
- OTHER (SPECIFY).....
- OTHER (SPECIFY).....
- OTHER (SPECIFY).....
- OTHER (SPECIFY).....

II. CONTROLS

THIS SECTION OF THE PLAN ADDRESSES THE CONTROLS THAT WILL BE IMPLEMENTED FOR EACH OF THE MAJOR CONSTRUCTION ACTIVITIES DESCRIBED IN I.C. ABOVE AND FOR ALL USE AREAS, BORROW SITES, AND WASTE SITES. FOR EACH MEASURE DISCUSSED, THE CONTRACTOR WILL BE RESPONSIBLE FOR ITS IMPLEMENTATION AS INDICATED. THE CONTRACTOR SHALL PROVIDE TO THE RESIDENT ENGINEER A PLAN FOR THE IMPLEMENTATION OF THE MEASURES INDICATED. THE CONTRACTOR, AND SUBCONTRACTORS, WILL NOTIFY THE RESIDENT ENGINEER OF ANY PROPOSED CHANGES, MAINTENANCE, OR MODIFICATIONS TO KEEP CONSTRUCTION ACTIVITIES COMPLIANT WITH THE PERMIT. EACH SUCH CONTRACTOR HAS SIGNED THE REQUIRED CERTIFICATION ON FORMS WHICH WILL BE PROVIDED AT THE PRE-CONSTRUCTION CONFERENCE, AND ARE A PART OF, THIS PLAN:

A. EROSION AND SEDIMENT CONTROL

1. STABILIZED PRACTICES: PROVIDED BELOW IS A DESCRIPTION OF INTERIM AND PERMANENT STABILIZATION PRACTICES, INCLUDING SITE SPECIFIC SCHEDULING OF THE IMPLEMENTATION OF THE PRACTICES. SITE PLANS WILL ENSURE THAT EXISTING VEGETATION IS PRESERVED WHERE ATTAINABLE AND DISTURBED PORTIONS OF THE SITE WILL BE STABILIZED. STABILIZATION PRACTICES MAY INCLUDE BUT ARE NOT LIMITED TO: TEMPORARY SEEDING, PERMANENT SEEDING, MULCHING, GEOTEXTILES, SODDING, VEGETATIVE BUFFER STRIPS, PROTECTION OF TREES, PRESERVATION OF MATURE VEGETATION, AND OTHER APPROPRIATE MEASURES. EXCEPT AS PROVIDED BELOW IN II(A)(1)(a) AND II(A)(3), STABILIZATION MEASURES SHALL BE INITIATED AS SOON AS PRACTICABLE IN PORTIONS OF THE SITE WHERE CONSTRUCTION ACTIVITIES HAVE TEMPORARILY OR PERMANENTLY CEASED, BUT IN NO CASE MORE THAN 14 DAYS AFTER THE CONSTRUCTION ACTIVITY IN THAT PORTION OF THE SITE HAS TEMPORARILY OR PERMANENTLY CEASED ON ALL DISTURBED PORTIONS OF THE SITE WHERE CONSTRUCTION WILL NOT OCCUR FOR A PERIOD OF 21 OR MORE CALENDAR DAYS.

a. WHERE THE INITIATION OF STABILIZATION MEASURES BY THE 14TH DAY AFTER CONSTRUCTION ACTIVITY TEMPORARILY OR PERMANENTLY CEASES IS PRECLUDED BY SNOW COVER, STABILIZATION MEASURES SHALL BE INITIATED AS SOON AS PRACTICABLE THEREAFTER.

THE FOLLOWING STABILIZATION PRACTICES WILL BE USED FOR THIS PROJECT: (CHECK ALL THAT APPLY)

- PRESERVATION OF MATURE VEGETATION
- VEGETATED BUFFER STRIPS
- PROTECTION OF TREES
- TEMPORARY EROSION CONTROL SEEDING
- TEMPORARY TURF (SEEDING, CLASS 7)
- TEMPORARY MULCHING
- PERMANENT SEEDING
- EROSION CONTROL BLANKET / MULCHING
- SODDING
- GEOTEXTILES
- OTHER (SPECIFY).....
- OTHER (SPECIFY).....
- OTHER (SPECIFY).....
- OTHER (SPECIFY).....

DESCRIBE HOW THE STABILIZATION PRACTICES LISTED ABOVE WILL BE UTILIZED:

1. TEMPORARY EROSION CONTROL SEEDING - THIS ITEM WILL BE APPLIED TO ALL BARE AREAS EVERY SEVEN DAYS TO MINIMIZE THE AMOUNT OF EXPOSED SURFACE AREAS.

EARTH STOCKPILES SHALL BE TEMPORARILY SEEDED IF THEY ARE TO REMAIN UNUSED FOR MORE THAN 14 DAYS.

WITHIN THE CONSTRUCTION LIMITS, AREAS WHICH MAY BE SUSCEPTIBLE TO EROSION AS DETERMINED BY THE ENGINEER SHALL REMAIN UNDISTURBED UNTIL FULL SCALE CONSTRUCTION IS UNDERWAY TO PREVENT UNNECESSARY SOIL EROSION.

BARE AND SPARSELY VEGETATED GROUND IN HIGHLY ERODIBLE AREAS AS DETERMINED BY THE ENGINEER SHALL BE TEMPORARILY SEEDED AT THE BEGINNING OF CONSTRUCTION WHERE NO CONSTRUCTION ACTIVITIES ARE EXPECTED WITHIN 7 DAYS.

2. PERMANENT SEEDING - SEEDING, CLASS 2 WILL BE INSTALLED PER IDOT SPECIFICATIONS.

3. EROSION CONTROL BLANKETS/MULCHING - EROSION CONTROL BLANKETS WILL BE INSTALLED OVER FILL SLOPES AND IN HIGH VELOCITY AREAS (I.E. DITCHES) THAT HAVE BEEN BROUGHT TO FINAL GRADE AND SEEDED TO PROTECT SLOPES FROM EROSION AND ALLOW SEEDS TO GERMINATE. MULCH, METHOD 2 WILL BE APPLIED IN RELATIVELY FLAT AREAS TO PROTECT THE DISTURBED AREAS AND PREVENT FURTHER EROSION.

MULCH AS APPLIED TO TEMPORARY EROSION CONTROL SEEDING SHALL BE BY THE METHOD SPECIFIED IN THE CONTRACT AND AT THE DIRECTION OF THE ENGINEER. MULCH WILL BE PAID SEPARATELY AND SHALL CONFORM TO SECTION 251 OF THE STANDARD SPECIFICATIONS.

PERMANENT STABILIZATION - ALL AREAS DISTURBED BY CONSTRUCTION WILL BE STABILIZED WITH PERMANENT SEEDING IMMEDIATELY FOLLOWING THE FINISHED GRADING. EROSION CONTROL BLANKETS WILL BE INSTALLED OVER FILL SLOPES WHICH HAVE BEEN BROUGHT TO FINAL GRADE AND HAVE BEEN SEEDED TO PROTECT THE SLOPES FROM RILL AND GULLY EROSION AND ALLOW SEED TO GERMINATE PROPERLY. MULCH, METHOD 2 WILL BE USED ON RELATIVELY FLAT AREAS.

2. STRUCTURAL PRACTICES: PROVIDED BELOW IS A DESCRIPTION OF STRUCTURAL PRACTICES THAT WILL BE IMPLEMENTED, TO THE DEGREE ATTAINABLE, TO DIVERT FLOWS FROM EXPOSED SOILS, STORE FLOWS OR OTHERWISE LIMIT RUNOFF AND THE DISCHARGE OF POLLUTANTS FROM EXPOSED AREAS OF THE SITE. SUCH PRACTICES MAY INCLUDE BUT ARE NOT LIMITED TO: PERIMETER EROSION BARRIER, EARTH DIKES, DRAINAGE SWALES, SEDIMENT TRAPS, DITCH CHECKS, SUBSURFACE DRAINS, PIPE SLOPE DRAINS, LEVEL SPREADERS, STORM DRAIN INLET PROTECTION, ROCK OUTLET PROTECTION, REINFORCED SOIL RETAINING SYSTEMS, GABIONS, AND TEMPORARY OR PERMANENT SEDIMENT BASINS. THE INSTALLATION OF THESE DEVICES MAY BE SUBJECT TO SECTION 404 OF THE CLEAN WATER ACT.

THE FOLLOWING STRUCTURAL PRACTICES WILL BE USED FOR THIS PROJECT:(CHECK ALL THAT APPLY)

- PERIMETER EROSION BARRIER
- TEMPORARY DITCH CHECK
- STORM DRAIN INLET PROTECTION
- SEDIMENT TRAP
- TEMPORARY PIPE SLOPE DRAIN
- TEMPORARY SEDIMENT BASIN
- TEMPORARY STREAM CROSSING
- STABILIZED CONSTRUCTION EXITS
- TURF REINFORCEMENT MATS
- PERMANENT CHECK DAMS
- PERMANENT SEDIMENT BASIN
- AGGREGATE DITCH
- PAVED DITCH
- ROCK OUTLET PROTECTION
- RIPRAP
- GABIONS
- SLOPE MATTRESS
- RETAINING WALLS
- SLOPE WALLS
- CONCRETE REVETMENT MATS
- LEVEL SPREADERS
- OTHER (SPECIFY).....
- OTHER (SPECIFY).....
- OTHER (SPECIFY).....
- OTHER (SPECIFY).....
- OTHER (SPECIFY).....

DESCRIBE HOW THE STRUCTURAL PRACTICES LISTED ABOVE WILL BE UTILIZED:

1. PERIMETER EROSION BARRIER - SILT FENCES WILL BE PLACED ALONG THE CONSTRUCTION LIMITS IN AN EFFORT TO CONTAIN SILT AND RUNOFF FROM LEAVING THE SITE.

CONSTRUCT AT BEGINNING OF CONSTRUCTION. REMOVE AT END OF CONSTRUCTION.

2. TEMPORARY DITCH CHECKS - DITCH CHECKS WILL BE PLACED IN SWALES WHERE RUNOFF VELOCITY IS HIGH. ALL STRUCTURAL PRACTICES ARE SHOWN IN DETAIL ON THE EROSION CONTROL PLANS.

TEMPORARY DITCH CHECKS SHALL BE LOCATED AT EVERY 1.5 FT FALL/RISE IN DITCH GRADE.

TEMPORARY DITCH CHECKS, AGGREGATE USES GRADING NO. 3 - REMOVE AT END OF CONSTRUCTION.

STRAW BALES, HAY BALES, PERIMETER EROSION BARRIER AND SILT FENCE WILL NOT BE PERMITTED FOR TEMPORARY OR PERMANENT DITCH CHECKS. DITCH CHECKS SHALL BE COMPOSED OF AGGREGATE (IF SPECIFIED), ENVIROBERM, TRIANGULAR SILT DIKES, GEORIDGE AND ROLLED EXCELSIOR.

3. STORM DRAIN INLET PROTECTION - INLET AND PIPE PROTECTION WILL BE PROVIDED FOR ALL CULVERTS AND WILL BE CLEANED ON A REGULAR BASIS.

AS SOON AS REASONABLE ACCESS IS AVAILABLE TO ALL LOCATIONS WHERE WATER DRAINS AWAY FROM THE PROJECT, TEMPORARY DITCH CHECKS, INLET AND PIPE PROTECTION, AND PERIMETER EROSION BARRIER SHALL BE INSTALLED AS CALLED OUT IN THIS PLAN AND DIRECTED BY THE ENGINEER.

ALL EROSION CONTROL PRODUCTS FURNISHED SHALL BE SPECIFICALLY RECOMMENDED BY THE MANUFACTURER FOR THE USE SPECIFIED IN THE EROSION CONTROL PLAN. PRIOR TO THE APPROVAL AND USE OF THE PRODUCT, THE CONTRACTOR SHALL SUBMIT TO THE ENGINEER A NOTARIZED CERTIFICATION BY THE PRODUCER STATING THE INTENDED USE OF THE PRODUCT AND THAT THE PHYSICAL PROPERTIES REQUIRED FOR THIS APPLICATION ARE MET OR EXCEEDED. THE CONTRACTOR SHALL PROVIDE MANUFACTURER INSTALLATION PROCEDURES TO FACILITATE THE ENGINEER IN CONSTRUCTION INSPECTION.

FILE NAME =	USER NAME = owerbj	DESIGNED -	REVISED -	STATE OF ILLINOIS DEPARTMENT OF TRANSPORTATION	SWPPP PLAN	F.A.P. RTE.	SECTION	COUNTY	TOTAL SHEETS	SHEET NO.	
et:\pw_work\pedit\overbj\dms51591\0876C	4-sh-t-eros.dgn	DRAWN -	REVISED -			817	421R-1	ST. CLAIR	29	10	
PLOT SCALE = 50,0000 ' / IN.		CHECKED -	REVISED -			CONTRACT NO. 76C74					
PLOT DATE = 12/18/2008		DATE -	REVISED -			SCALE:	SHEET NO. 1 OF 2	SHEETS	STA.	TO STA.	FED. ROAD DIST. NO.

3. STORM WATER MANAGEMENT: PROVIDED BELOW IS A DESCRIPTION OF MEASURES THAT WILL BE INSTALLED DURING THE CONSTRUCTION PROCESS TO CONTROL POLLUTANTS IN STORM WATER DISCHARGES THAT WILL OCCUR AFTER CONSTRUCTION OPERATIONS HAVE BEEN COMPLETED. THE INSTALLATION OF THESE DEVICES MAY BE SUBJECT TO SECTION 404 OF THE CLEAN WATER ACT.

a. SUCH PRACTICES MAY INCLUDE BUT ARE NOT LIMITED TO: STORM WATER DETENTION STRUCTURES (INCLUDING WET PONDS), STORM WATER RETENTION STRUCTURES, FLOW ATTENUATION BY USE OF OPEN VEGETATED SWALES AND NATURAL DEPRESSIONS, INFILTRATION OF RUNOFF ON SITE, AND SEQUENTIAL SYSTEMS (WHICH COMBINE SEVERAL PRACTICES). THE PRACTICES SELECTED FOR IMPLEMENTATION WERE DETERMINED ON THE BASIS OF THE TECHNICAL GUIDANCE IN SECTION 59-8 (EROSION AND SEDIMENT CONTROL) IN CHAPTER 59 (LANDSCAPE DESIGN AND EROSION CONTROL) OF THE ILLINOIS DEPARTMENT OF TRANSPORTATION BUREAU OF DESIGN AND ENVIRONMENT MANUAL. IF PRACTICES OTHER THAN THOSE DISCUSSED IN SECTION 59-8 ARE SELECTED FOR IMPLEMENTATION OR IF PRACTICES ARE APPLIED TO SITUATIONS DIFFERENT FROM THOSE COVERED IN SECTION 59-8, THE TECHNICAL BASIS FOR SUCH DECISIONS WILL BE EXPLAINED BELOW.

b. VELOCITY DISSIPATION DEVICES WILL BE PLACED AT DISCHARGE LOCATIONS AND ALONG THE LENGTH OF ANY OUTFALL CHANNEL AS NECESSARY TO PROVIDE A NON-EROSIVE VELOCITY FLOW FROM THE STRUCTURE TO A WATER COURSE SO THAT THE NATURAL PHYSICAL AND BIOLOGICAL CHARACTERISTICS AND FUNCTIONS ARE MAINTAINED AND PROTECTED (E.G. MAINTENANCE OF HYDROLOGIC CONDITIONS SUCH AS THE HYDROPERIOD AND HYDRODYNAMICS PRESENT PRIOR TO THE INITIATION OF CONSTRUCTION ACTIVITIES).

DESCRIPTION OF STORM WATER MANAGEMENT CONTROLS:

THE EXISTING SITE WILL BE REESTABLISHED WHEN THE CONSTRUCTION IS COMPLETE.

4. OTHER CONTROLS:

a. VEHICLE ENTRANCES AND EXITS - STABILIZED CONSTRUCTION ENTRANCES AND EXITS MUST BE CONSTRUCTED TO PREVENT TRACKING OF SEDIMENTS ONTO ROADWAYS.

THE CONTRACTOR WILL PROVIDE THE RESIDENT ENGINEER WITH A WRITTEN PLAN IDENTIFYING THE LOCATION OF STABILIZED ENTRANCES AND EXITS AND THE PROCEDURES (S)HE WILL USE TO CONSTRUCT AND MAINTAIN THEM.

b. MATERIAL DELIVERY, STORAGE, AND USE - THE FOLLOWING BMPs SHALL BE IMPLEMENTED TO HELP PREVENT DISCHARGES OF CONSTRUCTION MATERIALS DURING DELIVERY, STORAGE, AND USE:

- ALL PRODUCTS DELIVERED TO THE PROJECT SITE MUST BE PROPERLY LABELED.
- WATER TIGHT SHIPPING CONTAINERS AND/OR SEMI TRAILERS SHALL BE USED TO STORE HAND TOOLS, SMALL PARTS, AND MOST CONSTRUCTION MATERIALS THAT CAN BE CARRIED BY HAND, SUCH AS PAINT CANS, SOLVENTS, AND GREASE.
- A STORAGE/CONTAINMENT FACILITY SHOULD BE CHOSEN FOR LARGER ITEMS SUCH AS DRUMS AND ITEMS SHIPPED OR STORED ON PALLETS. SUCH MATERIAL IS TO BE COVERED BY A TIN ROOF OR LARGE SHEETS OF PLASTIC TO PREVENT PRECIPITATION FROM COMING IN CONTACT WITH THE PRODUCTS BEING STORED.
- LARGE ITEMS SUCH AS LIGHT STANDS, FRAMING MATERIALS AND LUMBER SHALL BE STORED IN THE OPEN IN A GENERAL STORAGE AREA. SUCH MATERIAL SHALL BE ELEVATED WITH WOOD BLOCKS TO MINIMIZE CONTACT WITH STORM WATER RUNOFF.
- SPILL CLEAN-UP MATERIALS, MATERIAL SAFETY DATA SHEETS, AN INVENTORY OF MATERIALS, AND EMERGENCY CONTACT NUMBERS SHALL BE MAINTAINED AND STORED IN ONE DESIGNATED AREA AND EACH CONTRACTOR IS TO INFORM HIS/HER EMPLOYEES AND THE RESIDENT ENGINEER OF THIS LOCATION.

c. STOCKPILE MANAGEMENT - BMPs SHALL BE IMPLEMENTED TO REDUCE OR ELIMINATE POLLUTION OF STORM WATER FROM STOCKPILES OF SOIL AND PAVING MATERIALS SUCH AS BUT NOT LIMITED TO PORTLAND CEMENT CONCRETE RUBBLE, ASPHALT CONCRETE, ASPHALT CONCRETE RUBBLE, AGGREGATE BASE, AGGREGATE SUB BASE, AND PRE-MIXED AGGREGATE. THE FOLLOWING BMPs MAY BE CONSIDERED:

- PERIMETER EROSION BARRIER
- TEMPORARY SEEDING
- TEMPORARY MULCH
- PLASTIC COVERS
- SOIL BINDERS
- STORM DRAIN INLET PROTECTION

THE CONTRACTOR WILL PROVIDE THE RESIDENT ENGINEER WITH A WRITTEN PLAN OF THE PROCEDURES (S)HE WILL USE ON THE PROJECT AND HOW THEY WILL BE MAINTAINED.

d. WASTE DISPOSAL. NO MATERIALS, INCLUDING BUILDING MATERIALS, SHALL BE DISCHARGED INTO WATERS OF THE STATE, EXCEPT AS AUTHORIZED BY A SECTION 404 PERMIT.

e. THE PROVISIONS OF THIS PLAN SHALL ENSURE AND DEMONSTRATE COMPLIANCE WITH APPLICABLE STATE AND/OR LOCAL WASTE DISPOSAL, SANITARY SEWER OR SEPTIC SYSTEM REGULATIONS.

f. THE CONTRACTOR SHALL PROVIDE A WRITTEN AND GRAPHIC PLAN TO THE RESIDENT ENGINEER IDENTIFYING WHERE EACH OF THE ABOVE AREAS WILL BE LOCATED AND HOW THEY ARE TO BE MANAGED.

5. APPROVED STATE OR LOCAL LAWS

THE MANAGEMENT PRACTICES, CONTROLS AND PROVISIONS CONTAINED IN THIS PLAN WILL BE IN ACCORDANCE WITH IDOT SPECIFICATIONS, WHICH ARE AT LEAST AS PROTECTIVE AS THE REQUIREMENTS CONTAINED IN THE ILLINOIS ENVIRONMENTAL PROTECTION AGENCY'S ILLINOIS URBAN MANUAL, 1995. PROCEDURES AND REQUIREMENTS SPECIFIED IN APPLICABLE SEDIMENT AND EROSION SITE PLANS OR STORM WATER MANAGEMENT PLANS APPROVED BY LOCAL OFFICIALS SHALL BE DESCRIBED OR INCORPORATED BY REFERENCE IN THE SPACE PROVIDED BELOW. REQUIREMENTS SPECIFIED IN SEDIMENT AND EROSION SITE PLANS, SITE PERMITS, STORM WATER MANAGEMENT SITE PLANS OR SITE PERMITS APPROVED BY LOCAL OFFICIALS THAT ARE APPLICABLE TO PROTECTING SURFACE WATER RESOURCES ARE, UPON SUBMITTAL OF AN NOI, TO BE AUTHORIZED TO DISCHARGE UNDER PERMIT ILRI0 INCORPORATED BY REFERENCE AND ARE ENFORCEABLE UNDER THIS PERMIT EVEN IF THEY ARE NOT SPECIFICALLY INCLUDED IN THE PLAN.

DESCRIPTION OF PROCEDURES AND REQUIREMENTS SPECIFIED IN APPLICABLE SEDIMENT AND EROSION SITE PLANS OR STORM WATER MANAGEMENT PLANS APPROVED BY LOCAL OFFICIALS:

ALL MANAGEMENT PRACTICES, CONTROLS, AND OTHER PROVISIONS PROVIDED IN THIS PLAN ARE IN ACCORDANCE WITH "IDOT STANDARD SPECIFICATION FOR ROAD AND BRIDGE CONSTRUCTION AND THE ILLINOIS URBAN MANUAL".

III. MAINTENANCE:

THE FOLLOWING IS A DESCRIPTION OF PROCEDURES THAT WILL BE USED TO MAINTAIN, IN GOOD AND EFFECTIVE OPERATING CONDITIONS, THE VEGETATION, EROSION AND SEDIMENT CONTROL MEASURES AND OTHER PROTECTIVE MEASURES IDENTIFIED IN THIS PLAN.

1. SEEDING - ALL ERODIBLE BARE EARTH WILL BE TEMPORARILY SEEDED ON A WEEKLY BASIS TO MINIMIZE THE AMOUNT OF ERODIBLE SURFACE WITHIN THE CONTRACT LIMITS.
2. PERIMETER EROSION BARRIER - SEDIMENT WILL BE REMOVED IF THE INTEGRITY OF THE FENCING IS IN JEOPARDY AND ANY FENCING KNOCKED DOWN WILL BE REPAIRED IMMEDIATELY.
3. EROSION CONTROL BLANKET/MULCHING - ANY AREAS THAT FAIL WILL BE REPAIRED IMMEDIATELY.
4. DITCH CHECKS - SEDIMENT WILL BE REMOVED IF THE INTEGRITY OF THE DITCH CHECK IS IN JEOPARDY. ANY DITCH CHECKS WHICH FAIL WILL BE REPAIRED OR REPLACED IMMEDIATELY.

THE RESIDENT ENGINEER WILL PROVIDE MAINTENANCE GUIDES TO THE CONTRACTOR FOR THESE PRACTICES. ALL MAINTENANCE OF EROSION CONTROL SYSTEMS WILL BE THE RESPONSIBILITY OF THE CONTRACTOR UNTIL CONSTRUCTION IS COMPLETE AND ACCEPTED BY IDOT AFTER FINAL INSPECTION. ALL LOCATIONS WHERE VEHICLES ENTER AND EXIT THE CONSTRUCTION SITE AND ALL OTHER AREAS SUBJECT TO EROSION SHOULD ALSO BE INSPECTED PERIODICALLY.

INSPECTION OF THESE AREAS SHALL BE MADE AT LEAST ONCE EVERY SEVEN DAYS AND WITHIN 24 HOURS OF THE END OF EACH 0.5 INCHES OR GREATER RAINFALL, OR AN EQUIVALENT SNOWFALL. THE PROJECT SHALL ADDITIONALLY BE INSPECTED BY THE CONSTRUCTION FIELD ENGINEER ON A BI-WEEKLY BASIS TO DETERMINE THAT EROSION CONTROL EFFORTS ARE IN PLACE AND EFFECTIVE AND IF OTHER EROSION CONTROL WORK IS NECESSARY.

THE TEMPORARY EROSION CONTROL SYSTEMS SHALL BE REMOVED AS DIRECTED BY THE ENGINEER AFTER USE IS NO LONGER NEEDED. THE COST OF THIS REMOVAL SHALL BE INCLUDED IN THE UNIT BID PRICE FOR THE TEMPORARY EROSION CONTROL SYSTEM.

IV. INSPECTIONS

QUALIFIED PERSONNEL SHALL INSPECT DISTURBED AREAS OF THE CONSTRUCTION SITE WHICH HAVE NOT YET BEEN FINALLY STABILIZED, STRUCTURAL CONTROL MEASURES, AND LOCATIONS WHERE VEHICLES AND EQUIPMENT ENTER AND EXIT THE SITE. SUCH INSPECTIONS SHALL BE CONDUCTED AT LEAST ONCE EVERY SEVEN (7) CALENDAR DAYS AND WITHIN 24 HOURS OF THE END OF A STORM THAT IS 0.5 INCHES OR GREATER OR EQUIVALENT SNOWFALL.

A. DISTURBED AREAS, USE AREAS (STORAGE OF MATERIALS, STOCKPILES, MACHINE MAINTENANCE FUELING, ETC.), BORROW SITES, AND WASTE SITES SHALL BE INSPECTED FOR EVIDENCE OF, OR THE POTENTIAL FOR, POLLUTANTS ENTERING THE DRAINAGE SYSTEM. EROSION AND SEDIMENT CONTROL MEASURES IDENTIFIED IN THE PLAN SHALL BE OBSERVED TO ENSURE THAT THEY ARE OPERATING CORRECTLY. DISCHARGE LOCATIONS OR POINTS THAT ARE ACCESSIBLE, SHALL BE INSPECTED TO ASCERTAIN WHETHER EROSION CONTROL MEASURES ARE EFFECTIVE IN PREVENTING SIGNIFICANT IMPACTS TO RECEIVING WATERS. LOCATIONS WHERE VEHICLES ENTER OR EXIT THE SITE SHALL BE INSPECTED FOR EVIDENCE OF OFF SITE SEDIMENT TRACKING.

B. BASED ON THE RESULTS OF THE INSPECTION, THE DESCRIPTION OF POTENTIAL POLLUTANT SOURCES IDENTIFIED IN SECTION I ABOVE AND POLLUTION PREVENTION MEASURES IDENTIFIED IN SECTION II ABOVE SHALL BE REVISED AS APPROPRIATE AS SOON AS PRACTICABLE AFTER SUCH INSPECTION. ANY CHANGES TO THIS PLAN RESULTING FROM THE REQUIRED INSPECTIONS SHALL BE IMPLEMENTED WITHIN 1/2 HOUR TO 1 WEEK BASED ON THE URGENCY OF THE SITUATION. THE RESIDENT ENGINEER WILL NOTIFY THE CONTRACTOR OF THE TIME REQUIRED TO IMPLEMENT SUCH ACTIONS THROUGH THE WEEKLY INSPECTION REPORT.

C. A REPORT SUMMARIZING THE SCOPE OF THE INSPECTION, NAME(S) AND QUALIFICATIONS OF PERSONNEL MAKING THE INSPECTION, THE DATE(S) OF THE INSPECTION, MAJOR OBSERVATIONS RELATING TO THE IMPLEMENTATION OF THIS STORM WATER POLLUTION PREVENTION PLAN, AND ACTIONS TAKEN IN ACCORDANCE WITH SECTION IV(B) SHALL BE MADE AND RETAINED AS PART OF THE PLAN FOR AT LEAST THREE (3) YEARS AFTER THE DATE OF THE INSPECTION. THE REPORT SHALL BE SIGNED IN ACCORDANCE WITH PART VI. G OF THE GENERAL PERMIT.

D. IF ANY VIOLATION OF THE PROVISIONS OF THIS PLAN IS IDENTIFIED DURING THE CONDUCT OF THE CONSTRUCTION WORK COVERED BY THIS PLAN, THE RESIDENT ENGINEER SHALL COMPLETE AND FILE AN "INCIDENCE OF NONCOMPLIANCE" (ION) REPORT FOR THE IDENTIFIED VIOLATION. THE RESIDENT ENGINEER SHALL USE FORMS PROVIDED BY THE ILLINOIS ENVIRONMENTAL PROTECTION AGENCY AND SHALL INCLUDE SPECIFIC INFORMATION ON THE CAUSE OF NONCOMPLIANCE, ACTIONS WHICH WERE TAKEN TO PREVENT ANY FURTHER CAUSES OF NONCOMPLIANCE, AND A STATEMENT DETAILING ANY ENVIRONMENTAL IMPACT WHICH MAY HAVE RESULTED FROM THE NONCOMPLIANCE. ALL REPORTS OF NONCOMPLIANCE SHALL BE SIGNED BY A RESPONSIBLE AUTHORITY IN ACCORDANCE WITH PART VI. G OF THE GENERAL PERMIT. THE INCIDENCE OF NONCOMPLIANCE SHALL BE MAILED TO THE FOLLOWING ADDRESS:

ILLINOIS ENVIRONMENTAL PROTECTION AGENCY
DIVISION OF WATER POLLUTION CONTROL
ATTN: COMPLIANCE ASSURANCE SECTION
1021 NORTH GRAND EAST
POST OFFICE BOX 19276
SPRINGFIELD, ILLINOIS 62794-9276

V. NON-STORM WATER DISCHARGES:

EXCEPT FOR FLOWS FROM FIRE FIGHTING ACTIVITIES, SOURCES OF NON-STORM WATER THAT IS COMBINED WITH STORM WATER DISCHARGES ASSOCIATED WITH THE INDUSTRIAL ACTIVITY ADDRESSED IN THIS PLAN MUST BE DESCRIBED BELOW. APPROPRIATE POLLUTION PREVENTION MEASURES, AS DESCRIBED BELOW, WILL BE IMPLEMENTED FOR THE NON-STORM WATER COMPONENT(S) OF THE DISCHARGE.

A. SPILL PREVENTION AND CONTROL - BMPs SHALL BE IMPLEMENTED TO CONTAIN AND CLEAN-UP SPILLS AND PREVENT MATERIAL DISCHARGES TO THE STORM DRAIN SYSTEM. THE CONTRACTOR SHALL PRODUCE A WRITTEN PLAN STATING HOW HIS/HER COMPANY WILL PREVENT, REPORT, AND CLEAN UP SPILLS AND PROVIDE A COPY TO ALL OF HIS/HER EMPLOYEES AND THE RESIDENT ENGINEER. THE CONTRACTOR SHALL NOTIFY ALL OF HIS/HER EMPLOYEES ON THE PROPER PROTOCOL FOR REPORTING SPILLS. THE CONTRACTOR SHALL NOTIFY THE RESIDENT ENGINEER OF ANY SPILLS IMMEDIATELY.

B. CONCRETE RESIDUALS AND WASHOUT WASTES - THE FOLLOWING BMPs SHALL BE IMPLEMENTED TO CONTROL RESIDUAL CONCRETE, CONCRETE SEDIMENTS, AND RINSE WATER:

1. TEMPORARY CONCRETE WASHOUT FACILITIES SHALL BE CONSTRUCTED FOR RINSING OUT CONCRETE TRUCKS. SIGNS SHALL BE INSTALLED DIRECTING CONCRETE TRUCK DRIVERS WHERE DESIGNATED WASHOUT FACILITIES ARE LOCATED.
2. THE CONTRACTOR SHALL HAVE THE LOCATION OF TEMPORARY CONCRETE WASHOUT FACILITIES APPROVED BY THE RESIDENT ENGINEER.
3. ALL TEMPORARY CONCRETE WASHOUT FACILITIES ARE TO BE INSPECTED BY THE CONTRACTOR AFTER EACH USE AND ALL SPILLS MUST BE REPORTED TO THE RESIDENT ENGINEER AND CLEANED UP IMMEDIATELY.
4. CONCRETE WASTE SOLIDS/LIQUIDS SHALL BE DISPOSED OF PROPERLY.

C. LITTER MANAGEMENT - A PROPER NUMBER OF DUMPSTERS SHALL BE PROVIDED ON SITE TO HANDLE DEBRIS AND LITTER ASSOCIATED WITH THE PROJECT. THE CONTRACTOR IS RESPONSIBLE FOR ENSURING HIS/HER EMPLOYEES PLACE ALL LITTER INCLUDING MARKING PAINT CANS, SODA CANS, FOOD WRAPPERS, WOOD LATHE, MARKING RIBBON, CONSTRUCTION STRING, AND ALL OTHER CONSTRUCTION RELATED LITTER IN THE PROPER DUMPSTERS.

D. VEHICLE AND EQUIPMENT CLEANING - VEHICLES AND EQUIPMENT ARE TO BE CLEANED IN DESIGNATED AREAS ONLY, PREFERABLY OFF SITE.

E. VEHICLE AND EQUIPMENT FUELING - A VARIETY OF BMPs CAN BE IMPLEMENTED DURING FUELING OF VEHICLES AND EQUIPMENT TO PREVENT POLLUTION. THE CONTRACTOR SHALL INFORM THE RESIDENT ENGINEER AS TO WHICH BMPs WILL BE USED ON THE PROJECT. THE CONTRACTOR SHALL INFORM THE RESIDENT ENGINEER HOW (S)HE WILL BE INFORMING HIS/HER EMPLOYEES OF THESE BMPs (I.E. SIGNS, TRAINING, ETC.). BELOW ARE A FEW EXAMPLES OF THESE BMPs:



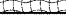


1. CONTAINMENT
2. SPILL PREVENTION AND CONTROL
3. USE OF DRIP PANS AND ABSORBENTS
4. AUTOMATIC SHUT-OFF NOZZLES
5. TOPPING OFF RESTRICTIONS
6. LEAK INSPECTION AND REPAIR

F. VEHICLE AND EQUIPMENT MAINTENANCE - ON SITE MAINTENANCE MUST BE PERFORMED IN ACCORDANCE WITH ALL ENVIRONMENTAL LAWS SUCH AS PROPER STORAGE AND NO DUMPING OF OLD ENGINE OIL OR OTHER FLUIDS ON SITE.

VI. FAILURE TO COMPLY:

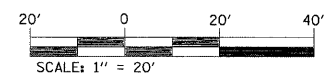
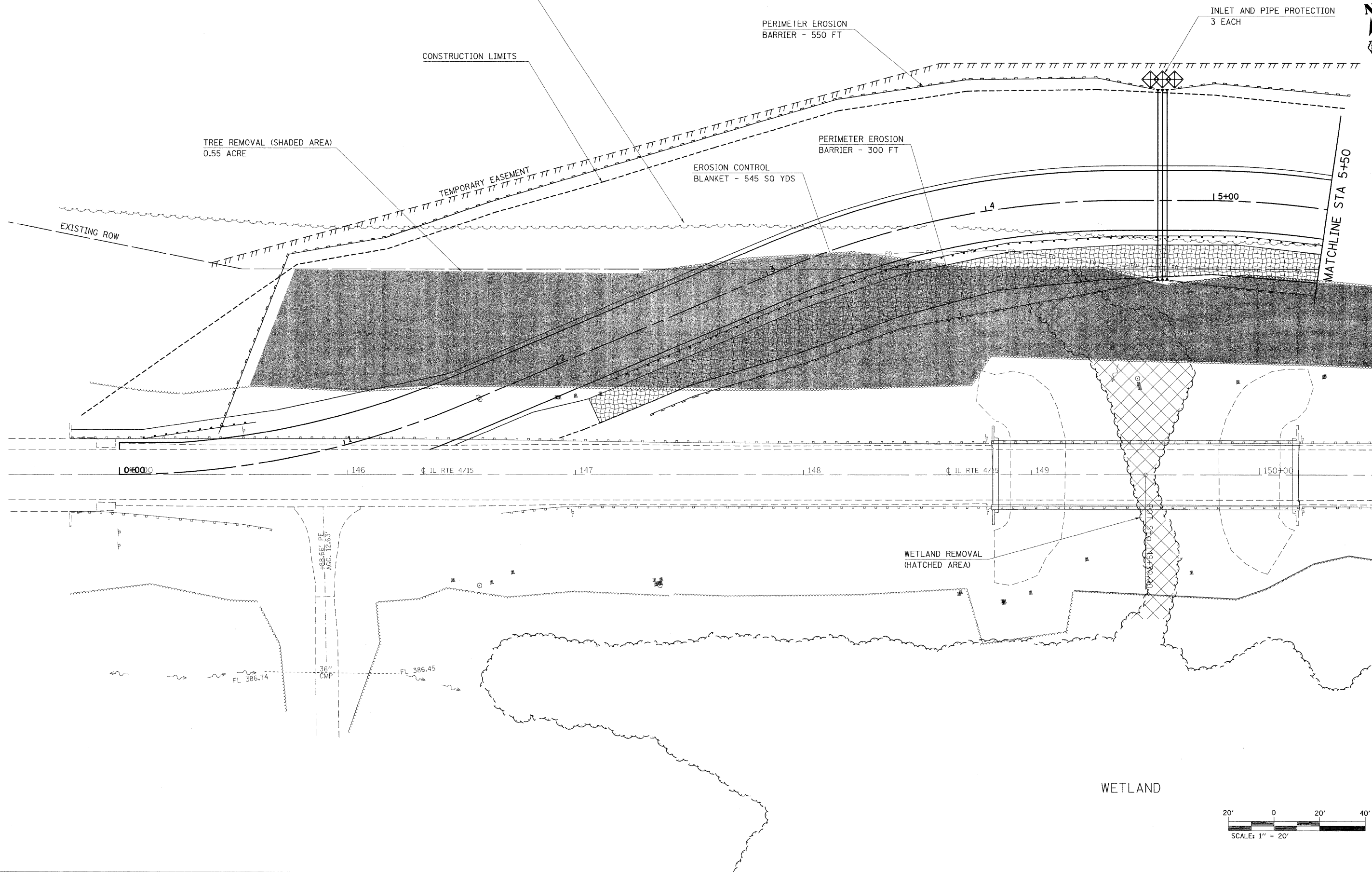
FAILURE TO COMPLY WITH ANY PROVISIONS OF THIS STORM WATER POLLUTION PREVENTION PLAN WILL RESULT IN THE IMPLEMENTATION OF AN EROSION AND SEDIMENT CONTROL DEFICIENCY DEDUCTION AGAINST THE CONTRACTOR AND/OR PENALTIES UNDER THE NPDES PERMIT WHICH COULD BE PASSED ONTO THE CONTRACTOR.

LEGEND

-  TEMPORARY DITCH CHECK- ROLLED EXCELSIOR, SILT WEDGES/PANELS
-  TEMPORARY DITCH CHECK- AGGREGATE
-  EROSION CONTROL BLANKET
-  PERIMETER EROSION BARRIER- SILT FILTER FENCE OR OTHER AS APPROVED BY THE ENGINEER
-  INLET AND PIPE PROTECTION- STRAW BALES, FILTER FABRIC, AGGREGATES

FILE NAME =	USER NAME = owenbj	DESIGNED -	REVISED -	STATE OF ILLINOIS DEPARTMENT OF TRANSPORTATION	SWPPP PLAN	F.A.P. RTE.	SECTION	COUNTY	TOTAL SHEETS	SHEET NO.
0:\pwork\p1dot\owenbj\dms51591\0876C4-ah-t-eros.dgn	4-ah-t-eros.dgn	DRAWN -	REVISED -			817	421R-1	ST. CLAIR	29	11
PLOT SCALE = 50.0000 ' / IN.		CHECKED -	REVISED -			CONTRACT NO. 76C74				
PLOT DATE = 12/18/2008		DATE -	REVISED -			SCALE:	SHEET NO. 2 OF 2 SHEETS	STA.	TO STA.	FED. ROAD DIST. NO.

AFTER RUNAROUND IS REMOVED, FINAL SEEDING SHALL NOT GO BEYOND THE "CROP LINE"
(APPROXIMATELY 15' NORTH OF RIGHT-OF-WAY).

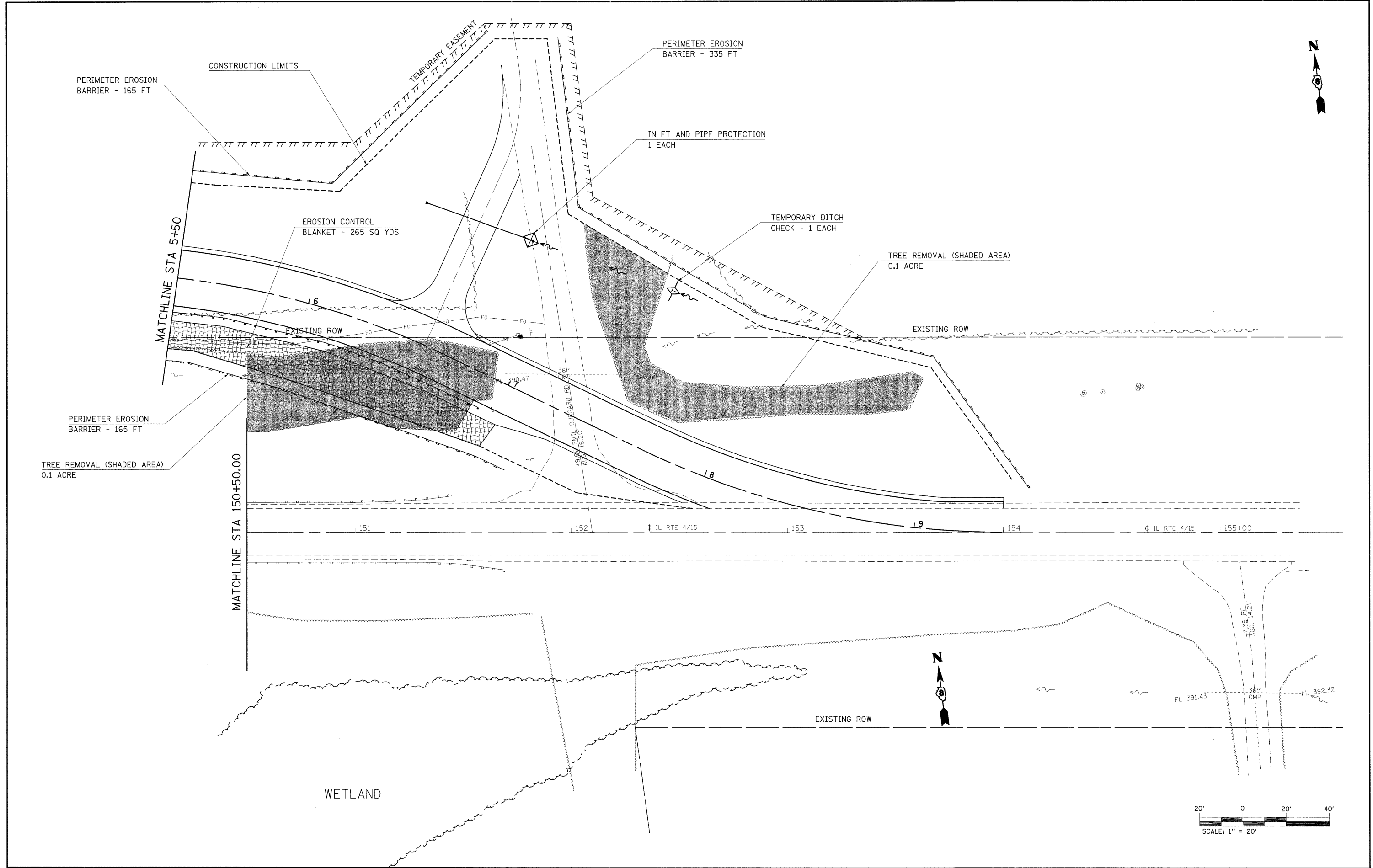


FILE NAME =	USER NAME = owenbj	DESIGNED -	REVISED -
c:\pw\work\pwsdot\owenbj\dms51591\p1n022395b.dgn		DRAWN -	REVISED -
	PLOT SCALE = 20,0000 "/ IN.	CHECKED -	REVISED -
	PLOT DATE = 12/19/2008	DATE -	REVISED -

**STATE OF ILLINOIS
DEPARTMENT OF TRANSPORTATION**

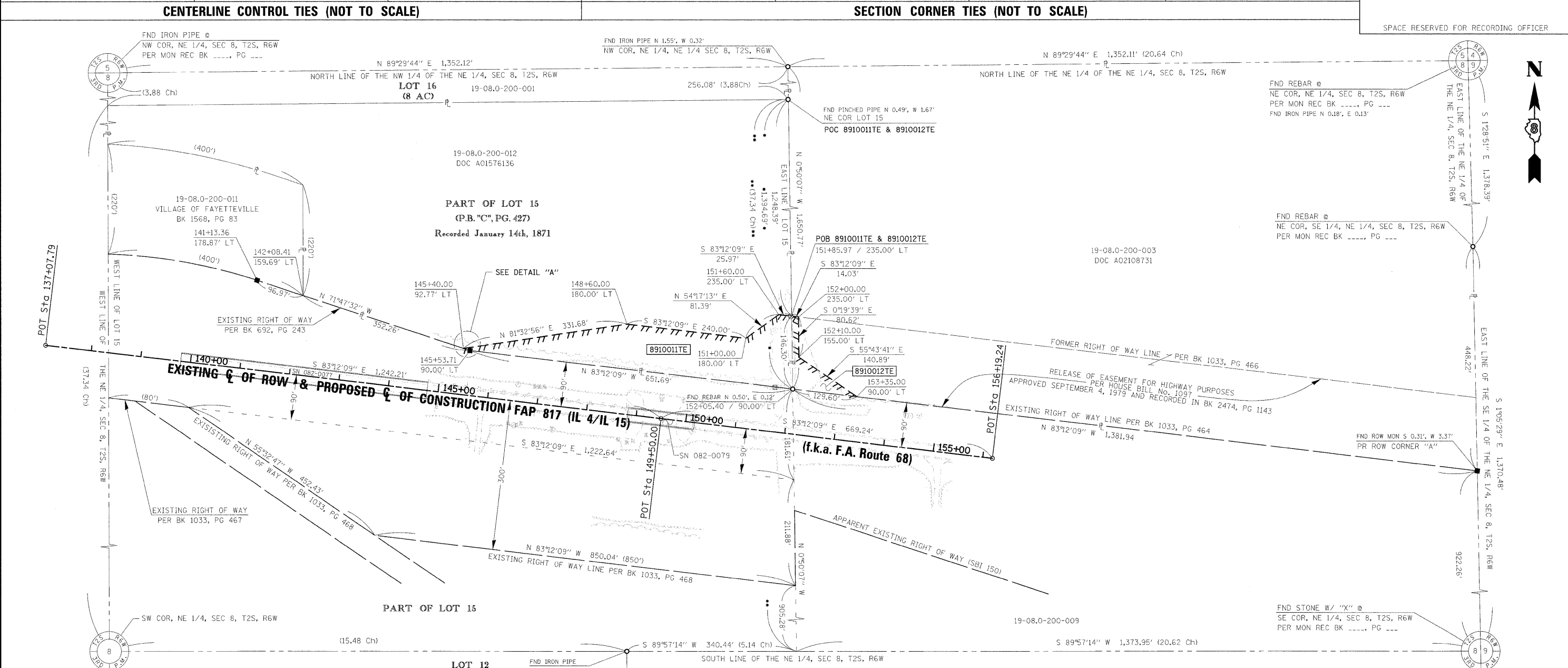
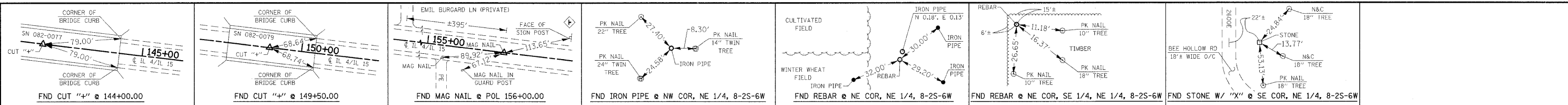
EROSION CONTROL SHEETS			
SCALE:	SHEET NO. 1 OF 2 SHEETS	STA.	TO STA.

F.A.P. RTE. 817	SECTION 421R-1	COUNTY ST. CLAIR	TOTAL SHEETS 29	SHEET NO. 12
CONTRACT NO. 76C74				
FED. ROAD DIST. NO. ILLINOIS FED. AID PROJECT				



FILE NAME =	USER NAME = owerbj	DESIGNED -	REVISED -	STATE OF ILLINOIS DEPARTMENT OF TRANSPORTATION	EROSION CONTROL SHEETS	F.A.P. RTE.	SECTION	COUNTY	TOTAL SHEETS	SHEET NO.
c:\pwork\pwork\owenbj\dms51591\p1n02295b.dgn	DRAWN -	REVISED -	817			421R-1	ST. CLAIR	29	13	
PLOT SCALE = 20.0000 "/td> <td>CHECKED -</td> <td>REVISED -</td> <td colspan="3" style="text-align: center;">CONTRACT NO. 76C74</td>	CHECKED -	REVISED -	CONTRACT NO. 76C74							
PLOT DATE = 12/19/2009	DATE -	REVISED -	ILLINOIS FED. AID PROJECT							
					SCALE:	SHEET NO. 2 OF 2 SHEETS		STA.	TO STA.	

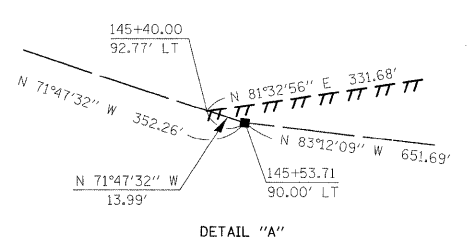
PART OF THE NE 1/4 OF SECTION 8, T2S, R6W, OF THE 3RD PM, ST CLAIR COUNTY, ILLINOIS



SEE BASIS OF COORDINATES AND BEARINGS STATEMENT ON SHEET 2

COORDINATE TABLE			
STATION	OFFSET	NORTH	EAST
137+07.79	¢	622,970.6868	405,072.2909
141+13.36	178.87' LT	623,100.2997	405,496.1793
142+08.41	159.69' LT	623,069.9992	405,588.2966
144+00.00	¢	622,888.7567	405,759.6352
145+53.71	90.00' LT	622,959.9308	405,922.9170
149+50.00	¢	622,823.6582	406,305.7719
152+05.40	90.00' LT	622,882.7968	406,570.0254
156+00.00	¢	622,746.7244	406,951.2000
156+19.24	¢	622,744.4468	406,970.3078

COORDINATE TABLE			
DESCRIPTION	NORTH	EAST	
NW COR, NE 1/4 SEC 8-2S-6W	624,521.4860	405,193.8972	
NW COR NE 1/4, NE 1/4, SEC 8-2S-6W	624,533.3898	406,545.9598	
NE COR, NE 1/4, SEC 8-2S-6W	624,545.2935	407,898.0224	
NE COR, SE 1/4, NE 1/4, SEC 8-2S-6W	623,167.6358	407,933.7161	
SE COR, NE 1/4, SEC 8-2S-6W	621,797.1344	407,959.8190	
PR ROW CORNER "A"	622,719.2299	407,942.2531	



STATE OF ILLINOIS)
COUNTY OF MADISON) SS

I, GREGORY S. McVICAR, AN ILLINOIS PROFESSIONAL LAND SURVEYOR, STATE THAT I HAVE SURVEYED THE PLAT OF HIGHWAY SHOWN HEREON AND THAT THIS PROFESSIONAL SERVICE CONFORMS TO THE CURRENT ILLINOIS MINIMUM STANDARDS FOR A BOUNDARY SURVEY FOR THE PROPOSED PARCEL(S) TO BE ACQUIRED BY THE STATE OF ILLINOIS, DEPARTMENT OF TRANSPORTATION, SHOWN HEREON.

DATED _____

GREGORY S. McVICAR, PLS NO. 3512
LICENSE EXPIRATION DATE: 11/30/2010

PARCEL NO.	OWNER	TOTAL HOLDING		TEMPORARY EASEMENTS			PERMANENT TAX NUMBER	PROPERTY ACQUIRED BY
		ACRES	REMAINDER	ACRES	SO. FT.	EASEMENT PURPOSE		
8910011	Janice Vlahovich as to an undivided 1/2 interest and Mildred L. Lebkuecher as to an undivided 1/2 interest DOC A01576136 Title Commitment No. SC-6026.0	37.8041	37.8041	1.1168	48,648	TEMPORARY ROADWAY CONSTRUCTION AND GRADING	19-08.0-200-012	
8910012	* SEE NOTE 1	54.3461	54.3461	0.1317	5,738	TEMPORARY ROADWAY CONSTRUCTION AND GRADING	19-08.0-200-003	

NOTE 1: Marlon, Williams, or her successor, as Trustee under the Dressler Family Revocable Living Trust Agreement dated November 12, 2002, as to an undivided one-half interest; and Dennis G. Dressler, Gerald A. Dressler, Paul L. Dressler, Alvin B. Dressler, Allen A. Dressler, and Charles T. Dressler, as tenants in common, as to an undivided one-half interest. DOC. No. A02108731 Title Commitment No. SC-6027.0

* SEE TOTAL HOLDING AREA SOURCE TABLE ON SHEET 2

SHERRILL ASSOCIATES, INC.
Engineers - Surveyors - Planners
Professional Design Firm Number 184-001238
20 Edwardsville Professional Park 2727 Lemay Ferry Road
Edwardsville, IL 62025 St. Louis, MO 63126

ILLINOIS DEPARTMENT OF TRANSPORTATION
PLAT OF HIGHWAYS
FAP ROUTE 817 (IL 4/IL 15)
SECTION 421B-1
ST. CLAIR COUNTY
JOB NO. R-98-010-09
STATION 137+07.79 TO STATION 156+19.24

100' 0 100' 200'
SCALE: 1" = 100'

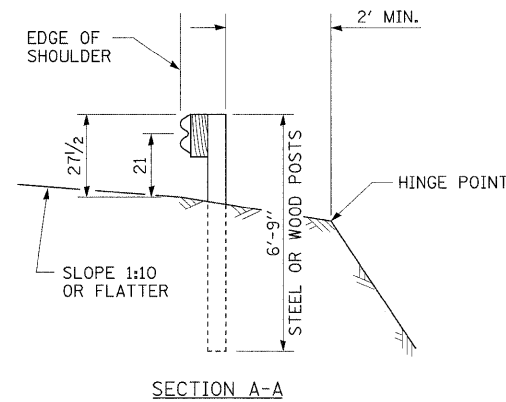
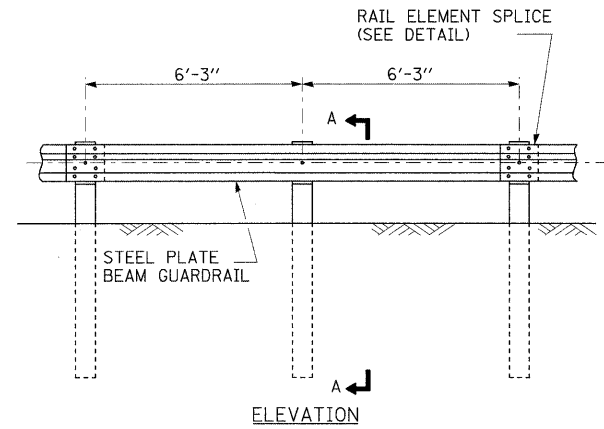
SHEET 3 OF 3

ILLINOIS DEPARTMENT OF TRANSPORTATION
DIVISION OF HIGHWAYS/REGION 5/DISTRICT 8
1102 EASTPORT PLAZA DRIVE
COLLINGSVILLE, ILLINOIS 62234-6198

F.A.P. RTE.	SECTION	COUNTY	TOTAL SHEETS	SHEET NO.
817	421B-1	ST. CLAIR	29	15

CONTRACT NO. 76885

FED. ROAD DIST. NO. ILLINOIS FED. AID PROJECT



GENERAL NOTES

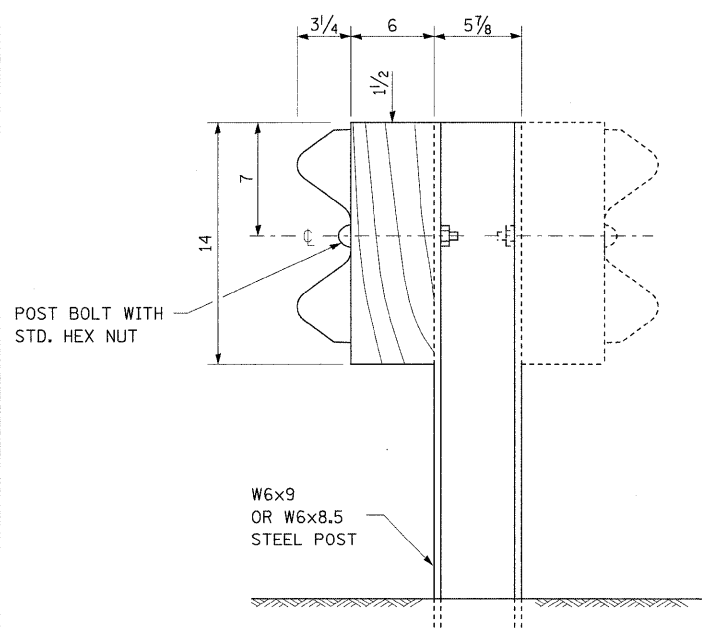
ALL SLOPE RATIOS ARE EXPRESSED AS UNITS OF VERTICAL DISPLACEMENT TO UNITS OF HORIZONTAL DISPLACEMENT (V:H).

ALL DIMENSIONS ARE IN INCHES UNLESS OTHERWISE SHOWN.

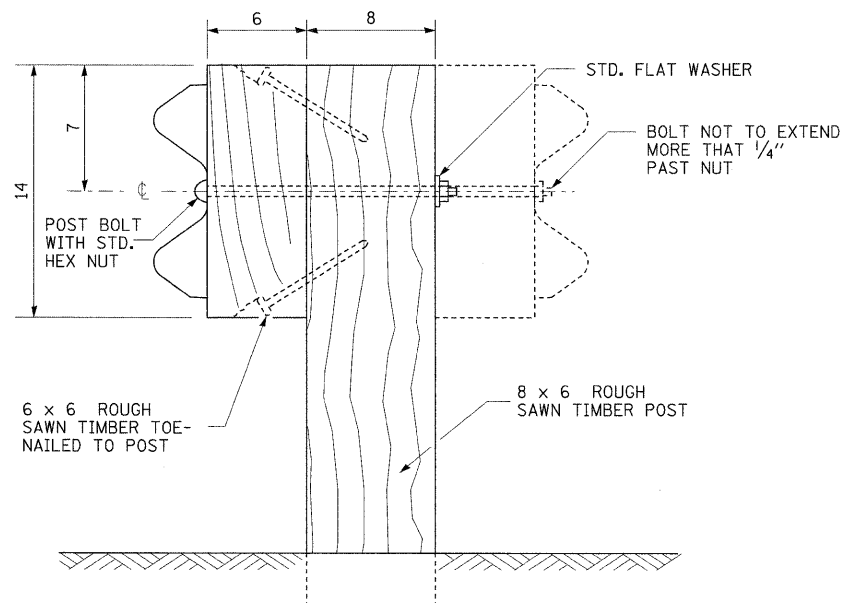
THE EXISTING STEEL POSTS MAY BE DRILLED TO MATCH THE BOLT PATTERN SHOWN HEREIN FOR THE WOOD BLOCK-OUT, OR A NEW STEEL POST SHALL BE PROVIDED.

THIS DETAIL IS APPLICABLE TO THE GUARDRAIL SYSTEM USED PRIOR TO JANUARY 1, 2007. FOR DETAILS ON THE MIDWEST GUARDRAIL SYSTEM, SEE STANDARD 630001.

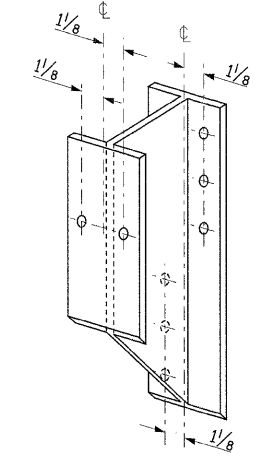
TYPE A



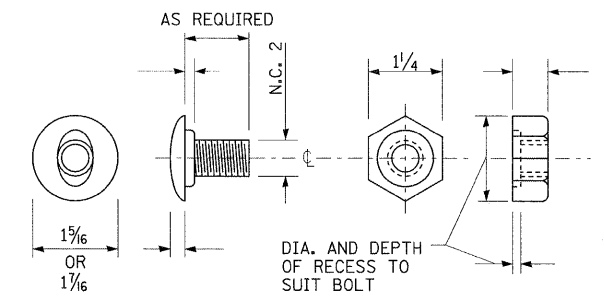
STEEL POST CONSTRUCTION



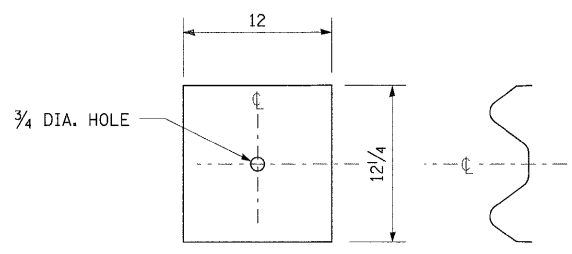
WOOD POST CONSTRUCTION



STEEL BLOCK-OUT DETAIL



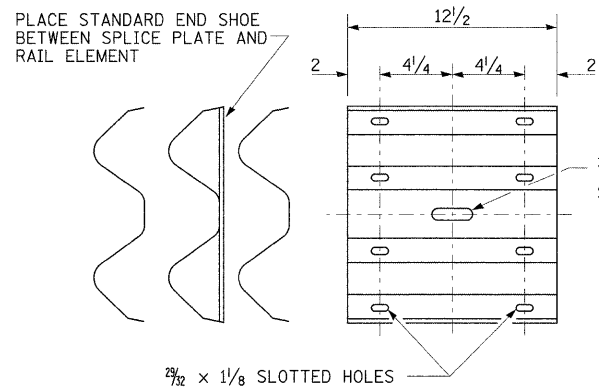
POST OR SPLICE BOLT & NUT



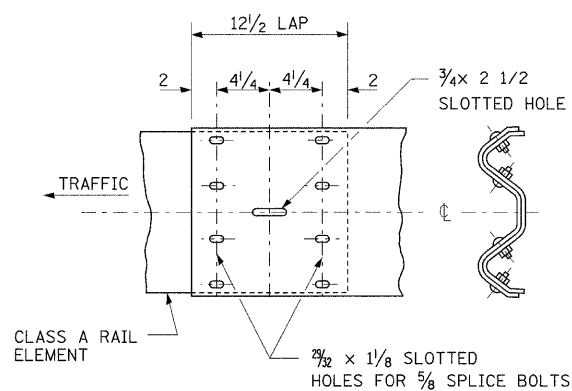
NOTE:
PLATE A SHALL BE PLACED BETWEEN RAIL ELEMENT AND BLOCK-OUT AT NON-SPLICE MOUNTING POINTS ONLY WHEN STEEL BLOCK-OUTS ARE USED.

PLATE A

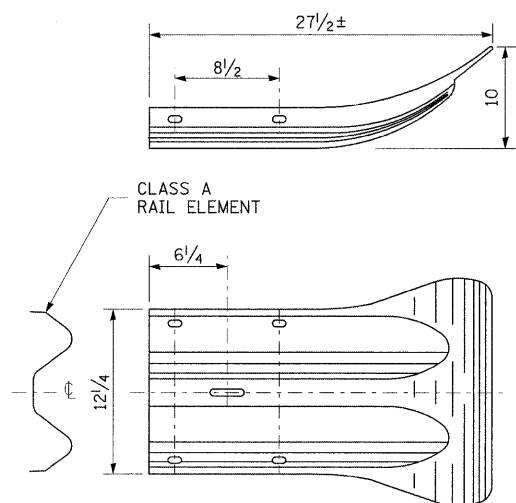
FILE NAME =	USER NAME = owerbj	DESIGNED -	REVISED -	STATE OF ILLINOIS DEPARTMENT OF TRANSPORTATION	STEEL PLATE BEAM GUARDRAIL, TYPE A DETAIL	F.A.P. RTE.	SECTION	COUNTY	TOTAL SHEETS	SHEET NO.	
ca:\pw\work\FWIDOT\OWENBJ\dms51591\p1n02209b.dgn	PLOT SCALE = 50.0000' / IN.	DRAWN -	REVISED -			817	421R-1	ST. CLAIR	29	16	
PLOT DATE = 12/19/2008	DATE -	CHECKED -	REVISED -			CONTRACT NO. 76C74					
		DATE -	REVISED -			SCALE:	SHEET NO. 1 OF 3 SHEETS	STA.	TO STA.	FED. ROAD DIST. NO.	ILLINOIS FED. AID PROJECT



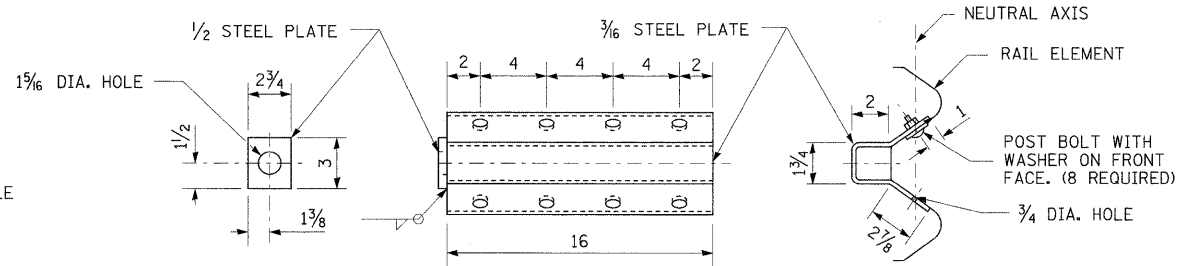
SPLICE PLATE



RAIL ELEMENT SPLICE

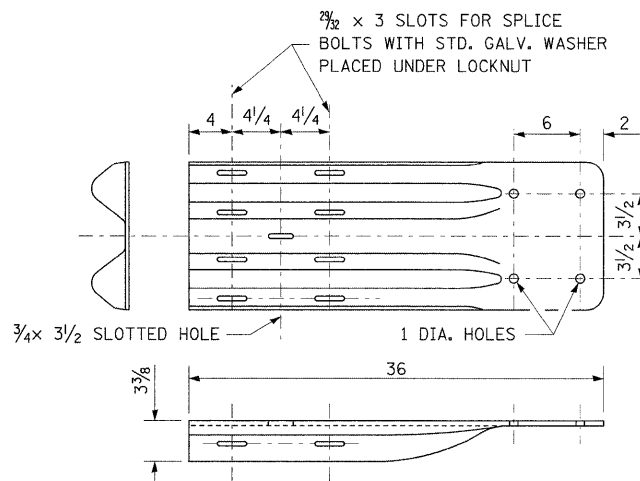


END SECTION



NOTE
ANCHOR PLATE T SHALL BE USED TO ATTACH CABLE ASSEMBLY TO GUARDRAIL WHEN REQUIRED ON TRAFFIC BARRIER TERMINALS.

ANCHOR PLATE T DETAILS

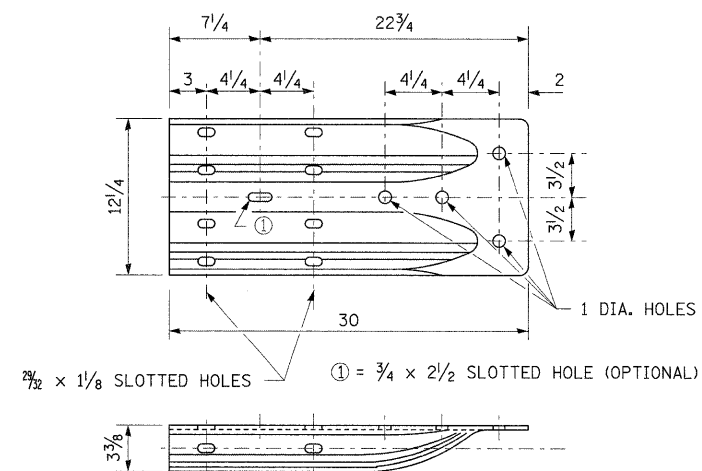


NOTE
WHEN END SHOE IS ATTACHED TO A BRIDGE PARAPET WHICH HAS AN EXPANSION JOINT, THE BOLTS SHALL BE PROVIDED WITH A LOCKNUT OR DOUBLE NUT AND SHALL BE TIGHTENED ONLY TO A POINT THAT WILL ALLOW GUARDRAIL MOVEMENT.

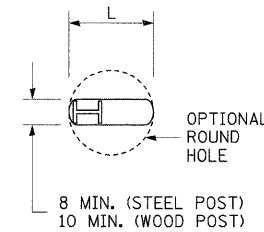
THE STANDARD END SHOE SHALL BE ATTACHED TO THE CONCRETE WITH PRE-DRILLED OR SELF-DRILLING ANCHOR BOLTS. THE ANCHOR CONE SHALL BE SET FLUSH WITH THE SURFACE OF THE CONCRETE.

EXTERNALLY THREADED STUDS PROTRUDING FROM THE SURFACE OF THE CONCRETE WILL NOT BE PERMITTED.

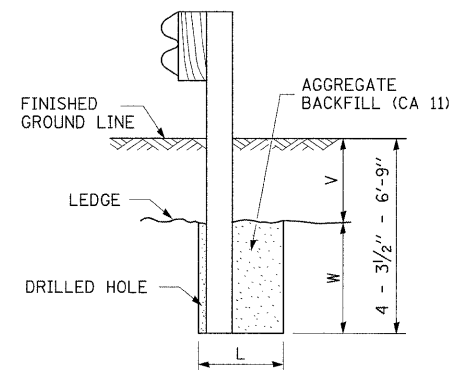
END SHOE



ALTERNATE END SHOE



PLAN

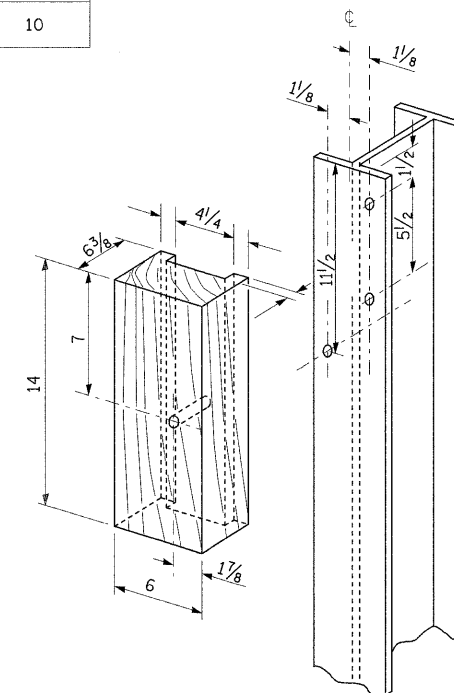


NOTE:
LEDGE LINE IS TOP OF ROCK LEDGE OR HARD SLAG FILL.

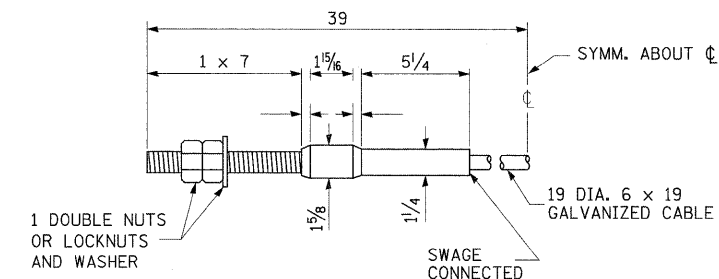
ELEVATION

V	W	L	
		STEEL POST	WOOD POST
0 - 18	24	21	23
>18 - 41.5	12	8	10
>41.5 - 53.5	12 - 0	8	10

FOOTING FOR POST WHEN IMPERVIOUS MATERIAL IS ENCOUNTERED



WOOD BLOCK-OUT AND STEEL POST DETAILS



CABLE ASSEMBLY

40,000 LBS. MIN. BREAKING STRENGTH
TIGHTEN TO TAUT TENSION.

FILE NAME =
USER NAME = owerbj
DESIGNED -
DRAWN -
CHECKED -
PLOT SCALE = 50.0000 / IN.
PLOT DATE = 12/19/2008

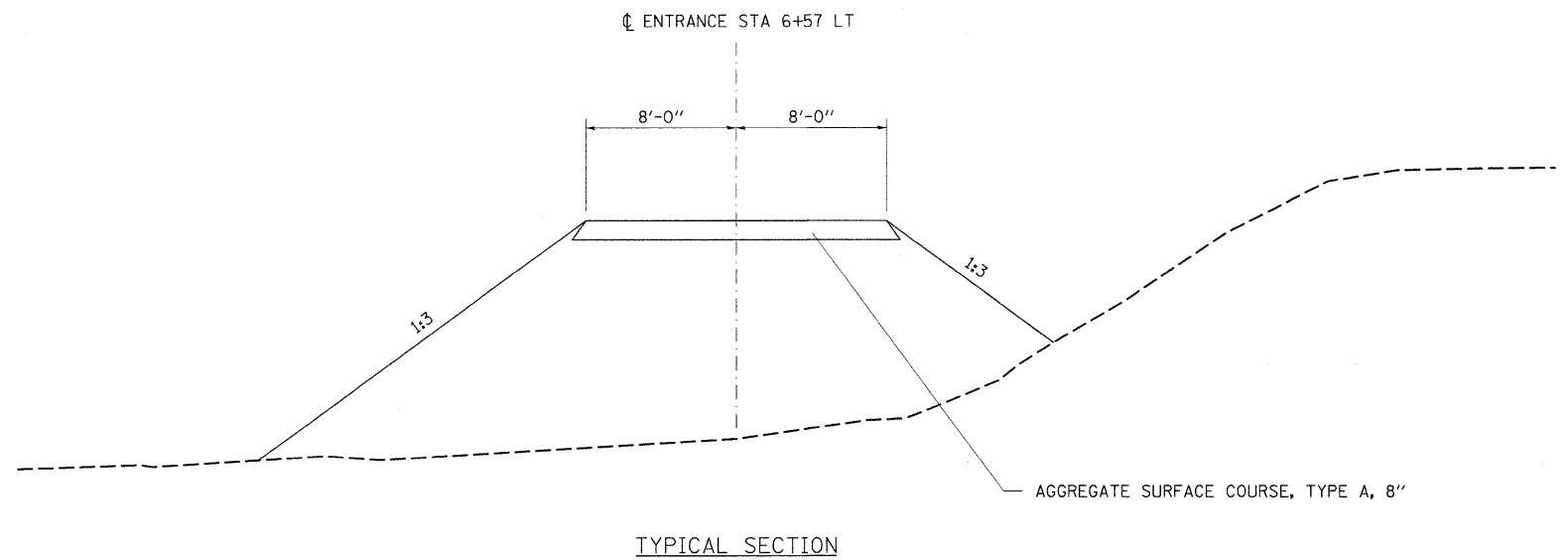
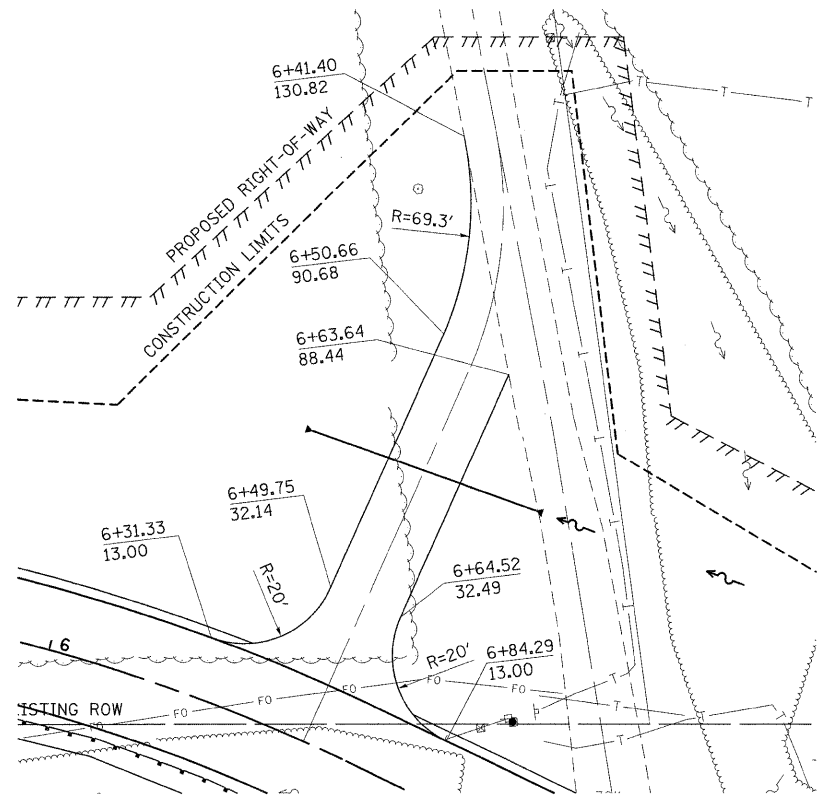
DESIGNED -
DRAWN -
CHECKED -
DATE -

DESIGNED -
REVISED -
REVISED -
REVISED -
REVISED -

**STATE OF ILLINOIS
DEPARTMENT OF TRANSPORTATION**

STEEL PLATE BEAM GUARDRAIL, TYPE A DETAIL
SCALE: SHEET NO. 2 OF 3 SHEETS STA. TO STA.

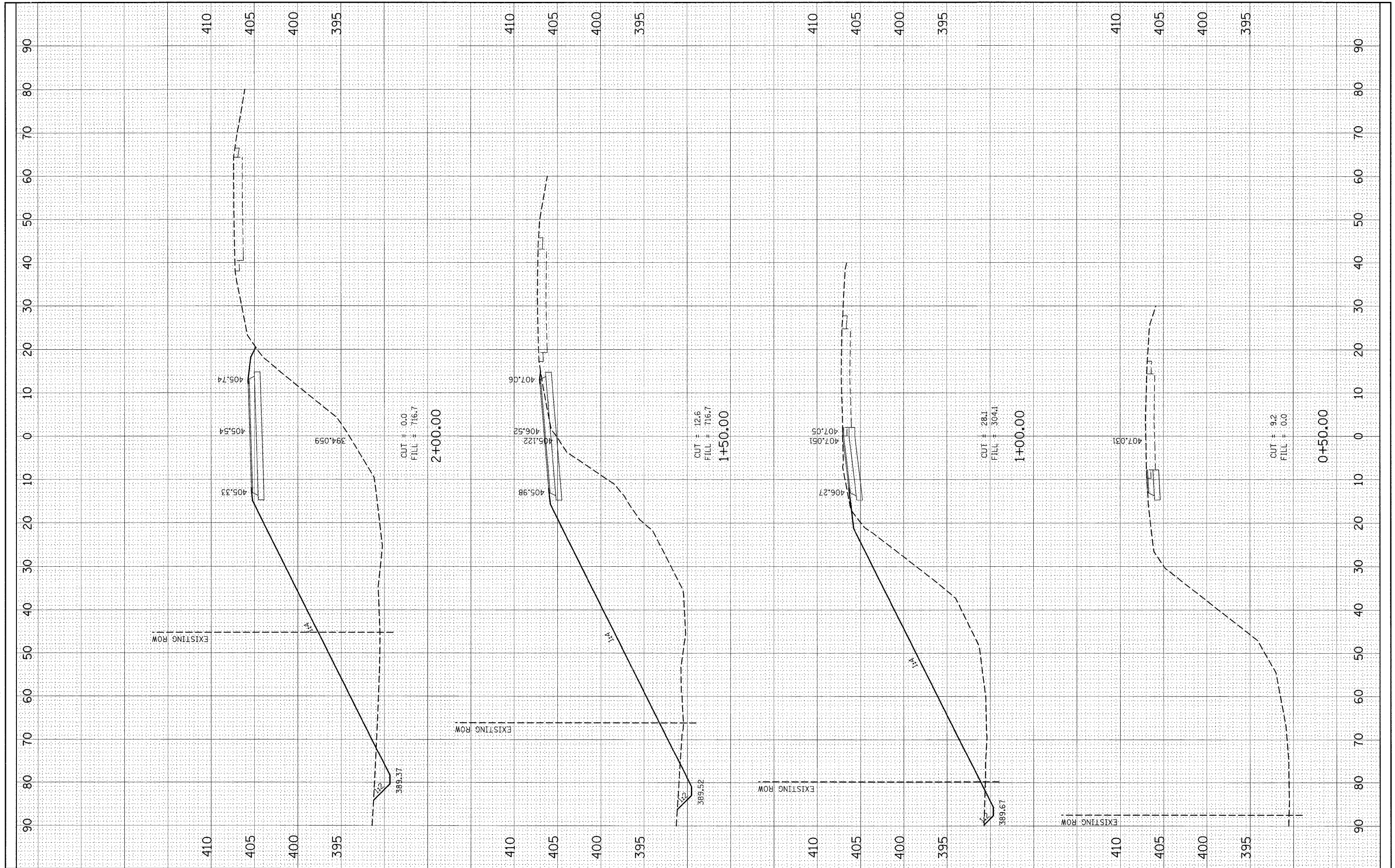
F.A.P. RTE. 817	SECTION 421R-1	COUNTY ST. CLAIR	TOTAL SHEETS 29	SHEET NO. 17
CONTRACT NO. 76C74				
FED. ROAD DIST. NO. ILLINOIS FED. AID PROJECT				



FILE NAME =	USER NAME = owenbj	DESIGNED -	REVISED -	STATE OF ILLINOIS DEPARTMENT OF TRANSPORTATION	ENTRANCE DETAILS			F.A.P. RTE.	SECTION	COUNTY	TOTAL SHEETS	SHEET NO.
et:\pw_work\pzd\dot\owenbj\dms51591\p1n02295b.dgn	PLOT SCALE = 50.0000' / IN.	DRAWN -	REVISED -					817	421R-1	ST. CLAIR	29	18
	PLOT DATE = 1/29/2009	CHECKED -	REVISED -		CONTRACT NO. 76C74							
		DATE -	REVISED -		SCALE:	SHEET NO. 3 OF 3 SHEETS	STA. TO STA.	FED. ROAD DIST. NO. ILLINOIS FED. AID PROJECT				

FINAL SURVEY	DATE
NO. _____	BY _____
PLOTTED	DATE
TEMPLATE	BY _____
AREAS CHECKED	DATE
AREAS CHECKED	BY _____

ORIGINAL SURVEY	DATE
NO. _____	BY _____
PLOTTED	DATE
TEMPLATE	BY _____
AREAS CHECKED	DATE
AREAS CHECKED	BY _____



FILE NAME =
 c:\pwwork\p\dot\owenb\j\dms51591\0876C74-sh1-sh1.dgn

USER NAME = owenb_j
 PLOT SCALE = 10.0000' / IN.
 PLOT DATE = 1/29/2009

DESIGNED -
 DRAWN -
 CHECKED -
 DATE -

REVISED -
 REVISED -
 REVISED -
 REVISED -

**STATE OF ILLINOIS
 DEPARTMENT OF TRANSPORTATION**

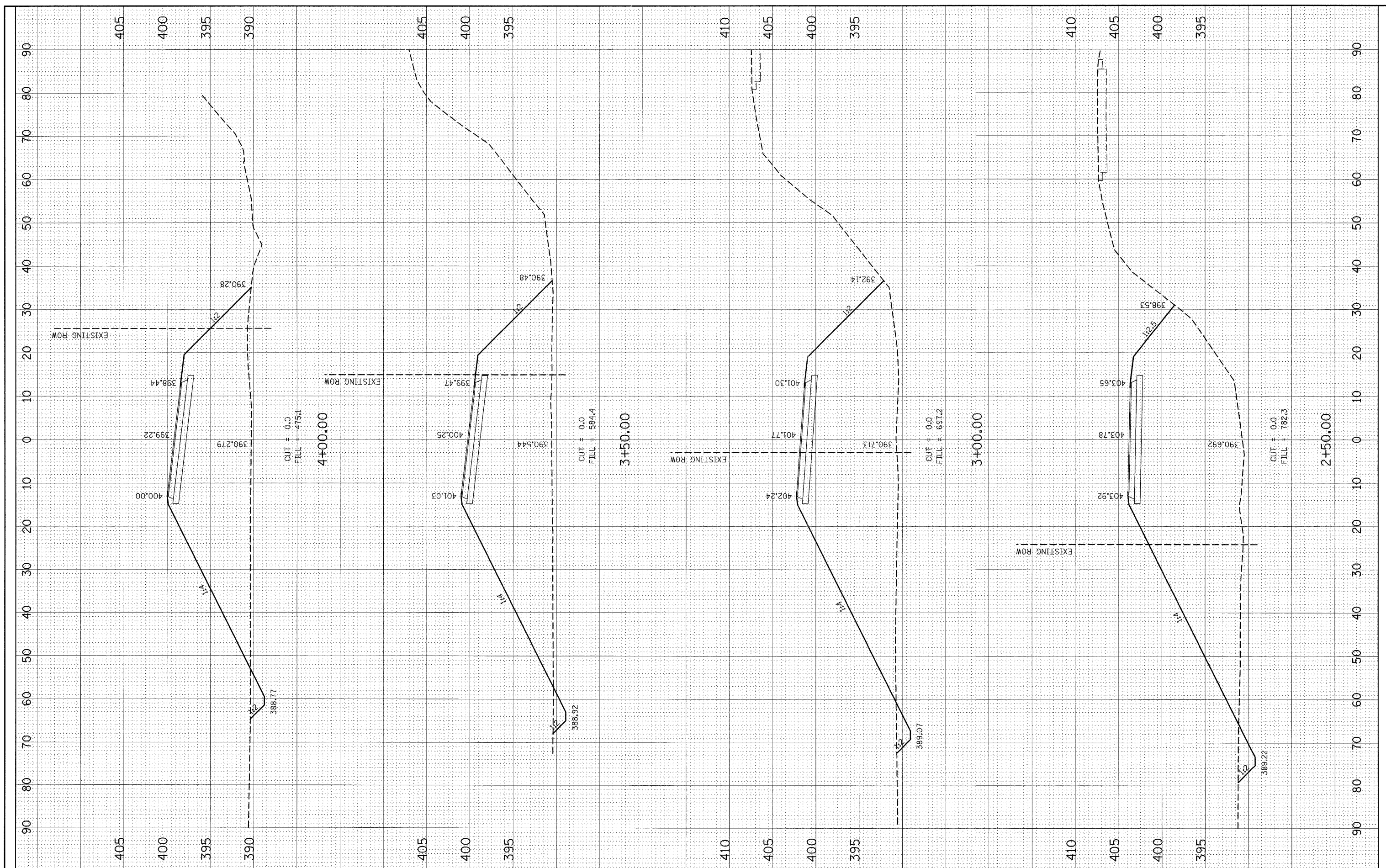
PHASE I CONSTRUCTION CROSS SECTIONS

SCALE: SHEET NO. OF SHEETS STA. 0+50.00 TO STA. 2+00.00

F.A.P. RTE. 817	SECTION 421R-1	COUNTY ST. CLAIR	TOTAL SHEETS 29	SHEET NO. 19
FED. ROAD DIST. NO. ILLINOIS FED. AID PROJECT			CONTRACT NO. 76C74	

BY	DATE
FINISHED SURVEY	SURVEYED
NOTE BOOK	PLOTTED
NO.	TEMPLATE
	AREAS CHECKED

BY	DATE
ORIGINAL SURVEY	SURVEYED
NOTE BOOK	PLOTTED
NO.	TEMPLATE
	AREAS CHECKED



FILE NAME = c:\pw\work\p\dot\owenbj\dms51591\0876C74-sht-ash.t.dgn

USER NAME = owenbj
 DESIGNED -
 DRAWN -
 CHECKED -
 DATE -

REVISIED -
 REVISIED -
 REVISIED -
 REVISIED -

REVISIED -
 REVISIED -
 REVISIED -
 REVISIED -

**STATE OF ILLINOIS
 DEPARTMENT OF TRANSPORTATION**

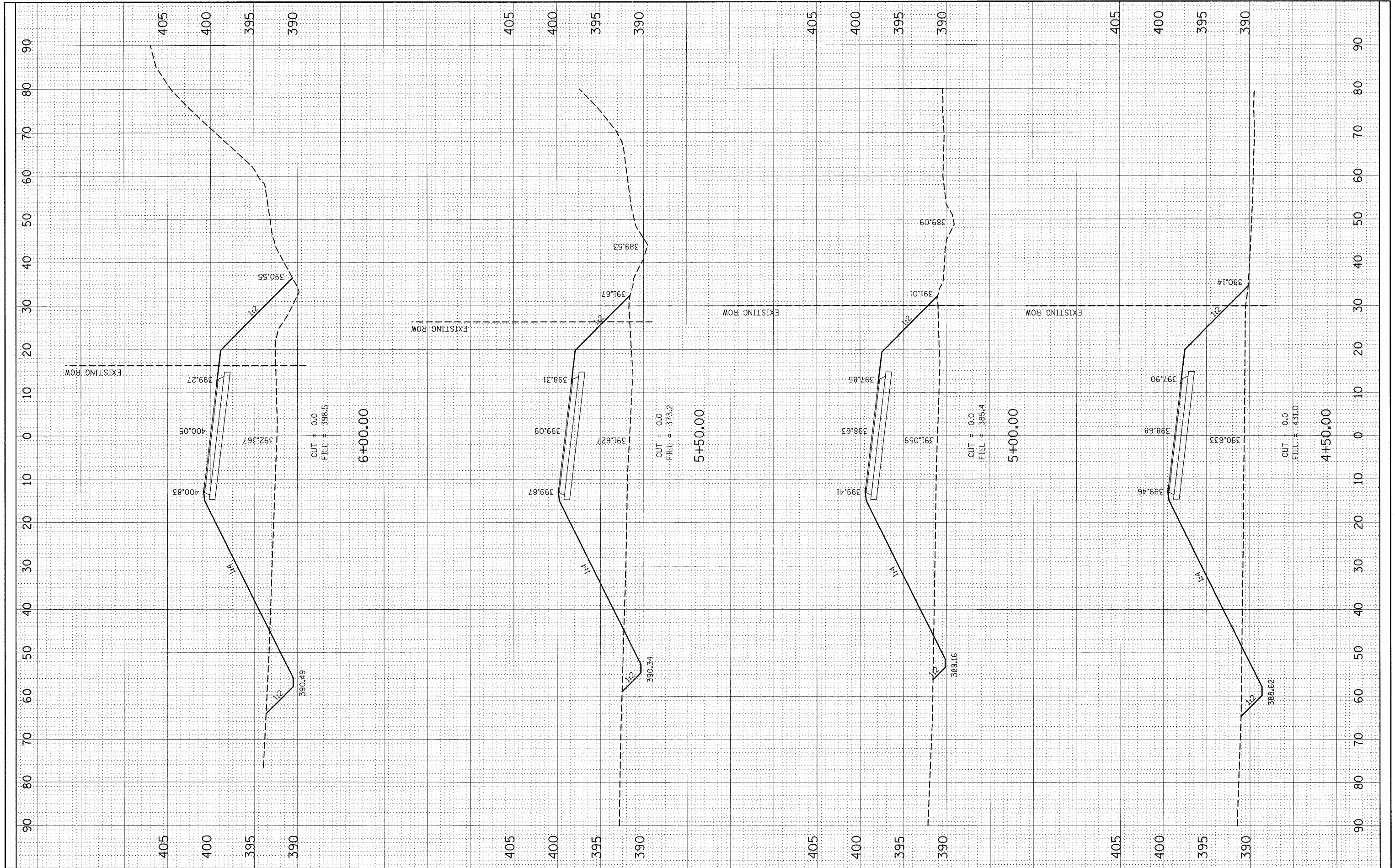
PHASE I CONSTRUCTION CROSS SECTIONS

SCALE: SHEET NO. OF SHEETS STA. 2+50.00 TO STA. 4+00.00

F.A.P. RTE. 817	SECTION 421R-1	COUNTY ST. CLAIR	TOTAL SHEETS 29	SHEET NO. 20
FED. ROAD DIST. NO. ILLINOIS FED. AID PROJECT			CONTRACT NO. 76C74	

FINAL SURVEY	SURVIVED	BY	DATE
NOTE BOOK	PLOTTED		
NO.	TEMPLATE		
	AREAS CHECKED		

ORIGINAL SURVEY	SURVIVED	BY	DATE
NOTE BOOK	PLOTTED		
NO.	TEMPLATE		
	AREAS CHECKED		



FILE NAME =
 c:\pwwork\pwwork\owenb\j\dms51591\0876C74-sht-ssht.dgn

USER NAME = owenb
 PLOT SCALE = 18.0000' / IN.
 PLOT DATE = 1/29/2009

DESIGNED -
 DRAWN -
 CHECKED -
 DATE -

REVISED -
 REVISED -
 REVISED -
 REVISED -

**STATE OF ILLINOIS
 DEPARTMENT OF TRANSPORTATION**

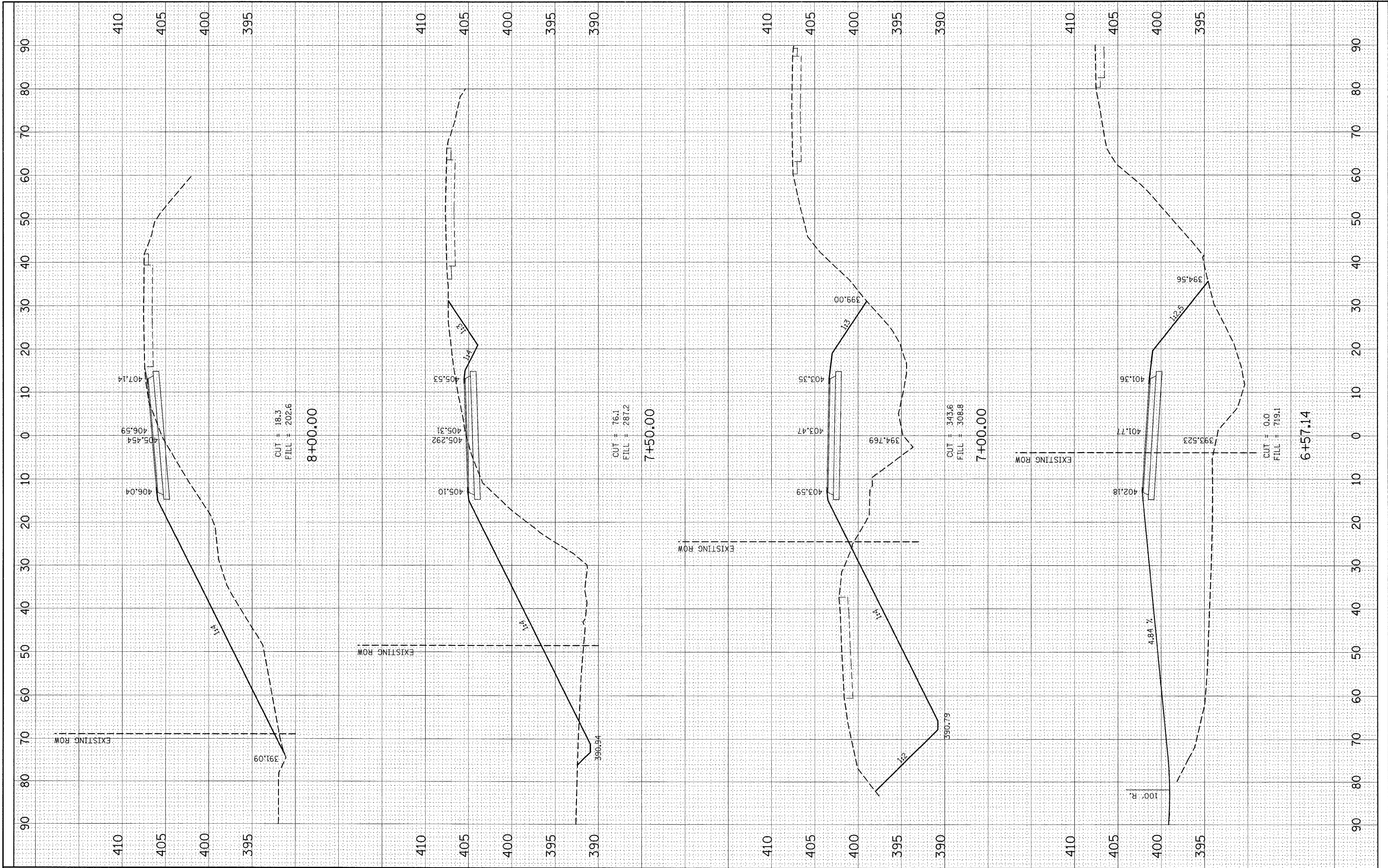
PHASE I CONSTRUCTION CROSS SECTIONS

SCALE: SHEET NO. OF SHEETS STA. 4+50.00 TO STA. 6+00.00

F.A.P. RTE. 817	SECTION 421R-1	COUNTY ST. CLAIR	TOTAL SHEETS 29	SHEET NO. 21
FED. ROAD DIST. NO. ILLINOIS FED. AID PROJECT			CONTRACT NO. 76C74	

FINAL SURVEY	DATE
SURVEYED	BY
PLotted	
NOTE BOOK	
AREAS CHECKED	
NO.	

ORIGINAL SURVEY	DATE
SURVEYED	BY
PLotted	
NOTE BOOK	
AREAS CHECKED	
NO.	



FILE NAME = c:\px_work\pwwdot\owenb.j\dms51591\0876C74-shht.dgn

USER NAME = owenb.j
 DESIGNED -
 DRAWN -
 CHECKED -
 DATE -

REVISIONS:
 REVISED -
 REVISED -
 REVISED -
 REVISED -

**STATE OF ILLINOIS
 DEPARTMENT OF TRANSPORTATION**

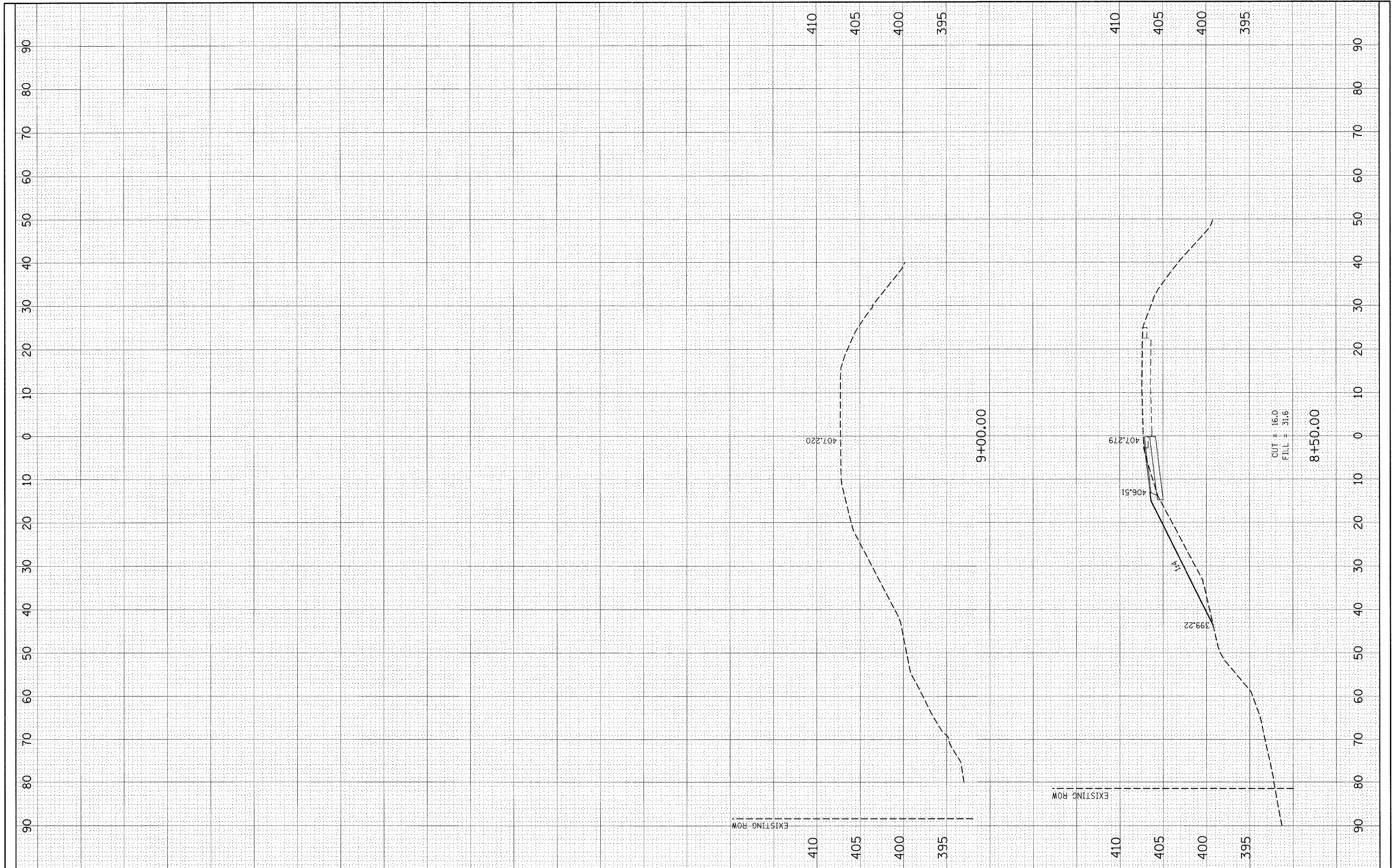
PHASE I CONSTRUCTION CROSS SECTIONS

SCALE: SHEET NO. OF SHEETS STA. 6+57.14 TO STA. 8+00.00

F.A.P. RTE. 817	SECTION 421R-1	COUNTY ST. CLAIR	TOTAL SHEETS 29	SHEET NO. 22
CONTRACT NO. 76C74				
FED. ROAD DIST. NO. ILLINOIS FED. AID PROJECT				

FINAL SURVEY	SURVISED	BY	DATE
NO. _____	PLOTTED	_____	_____
	TEMPLATE	_____	_____
	AREAS CHECKED	_____	_____

ORIGINAL SURVEY	SURVISED	BY	DATE
NO. _____	PLOTTED	_____	_____
	TEMPLATE	_____	_____
	AREAS CHECKED	_____	_____



FILE NAME = c:\p\work\p\dot\owenb\dm51591\0876C74-sh\shht.dgn

USER NAME = owenb
 PLOT SCALE = 10.0000' / IN.
 PLOT DATE = 1/29/2009

DESIGNED -
 DRAWN -
 CHECKED -
 DATE -

REVISED -
 REVISED -
 REVISED -
 REVISED -

**STATE OF ILLINOIS
 DEPARTMENT OF TRANSPORTATION**

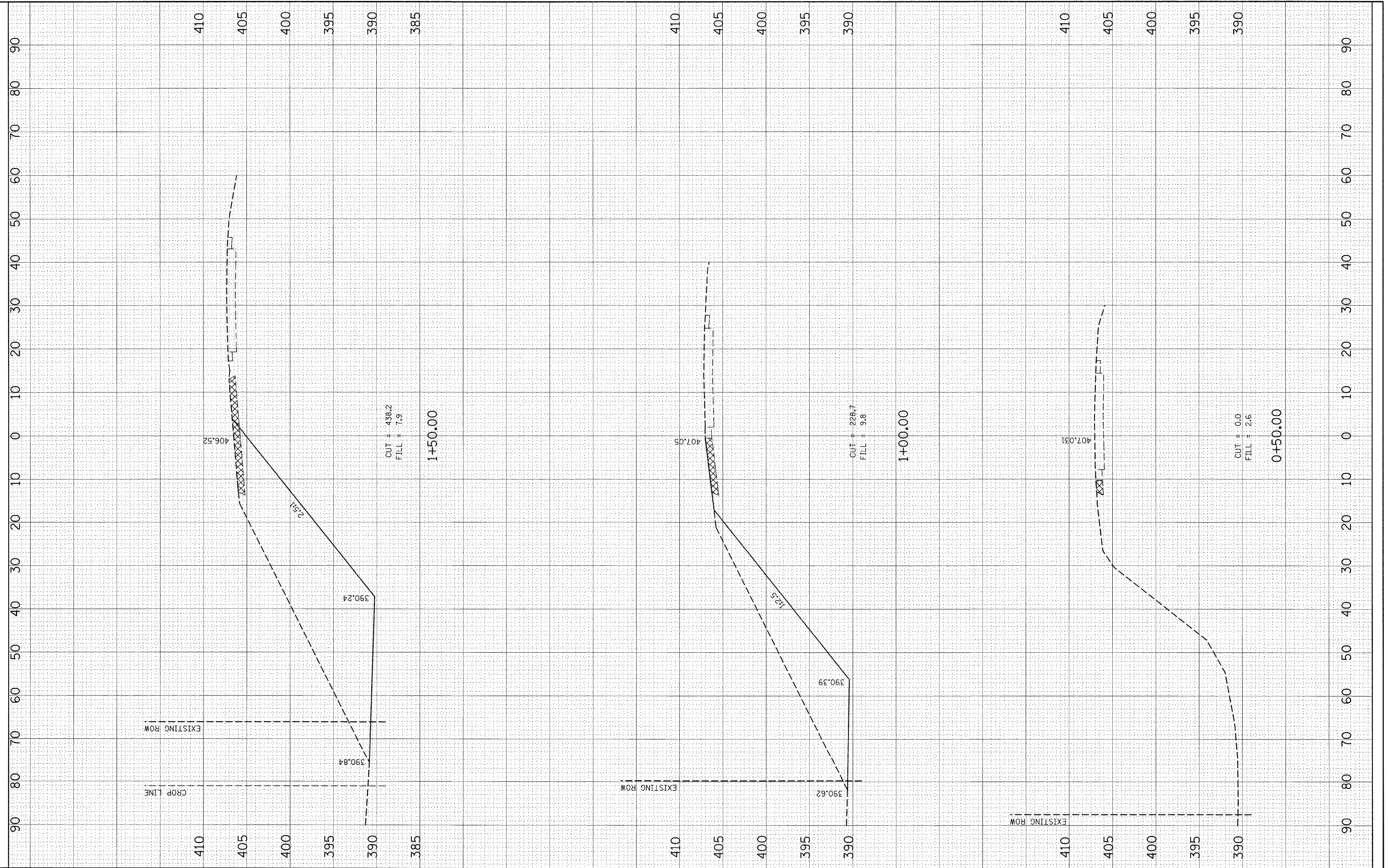
PHASE I CONSTRUCTION CROSS SECTIONS

SCALE: SHEET NO. OF SHEETS STA. 8+50.00 TO STA. 9+00.00

F.A.P. RTE. 817	SECTION 421R-1	COUNTY ST. CLAIR	TOTAL SHEETS 29	SHEET NO. 23
FED. ROAD DIST. NO. ILLINOIS FED. AID PROJECT			CONTRACT NO. 76C74	

BY: _____ DATE: _____
 SURVEYED _____
 PLOTTED _____
 NOTE BOOK _____
 NO. _____

BY: _____ DATE: _____
 SURVEYED _____
 PLOTTED _____
 NOTE BOOK _____
 NO. _____



FILE NAME =
 ct:\pw_work\p\dot\owenbj\dms51591\0876C74-sht-essht-1.dgn

USER NAME = owenbj
 DESIGNED -
 DRAWN -
 CHECKED -
 DATE -

REVISIED -
 REVISIED -
 REVISIED -
 REVISIED -

**STATE OF ILLINOIS
 DEPARTMENT OF TRANSPORTATION**

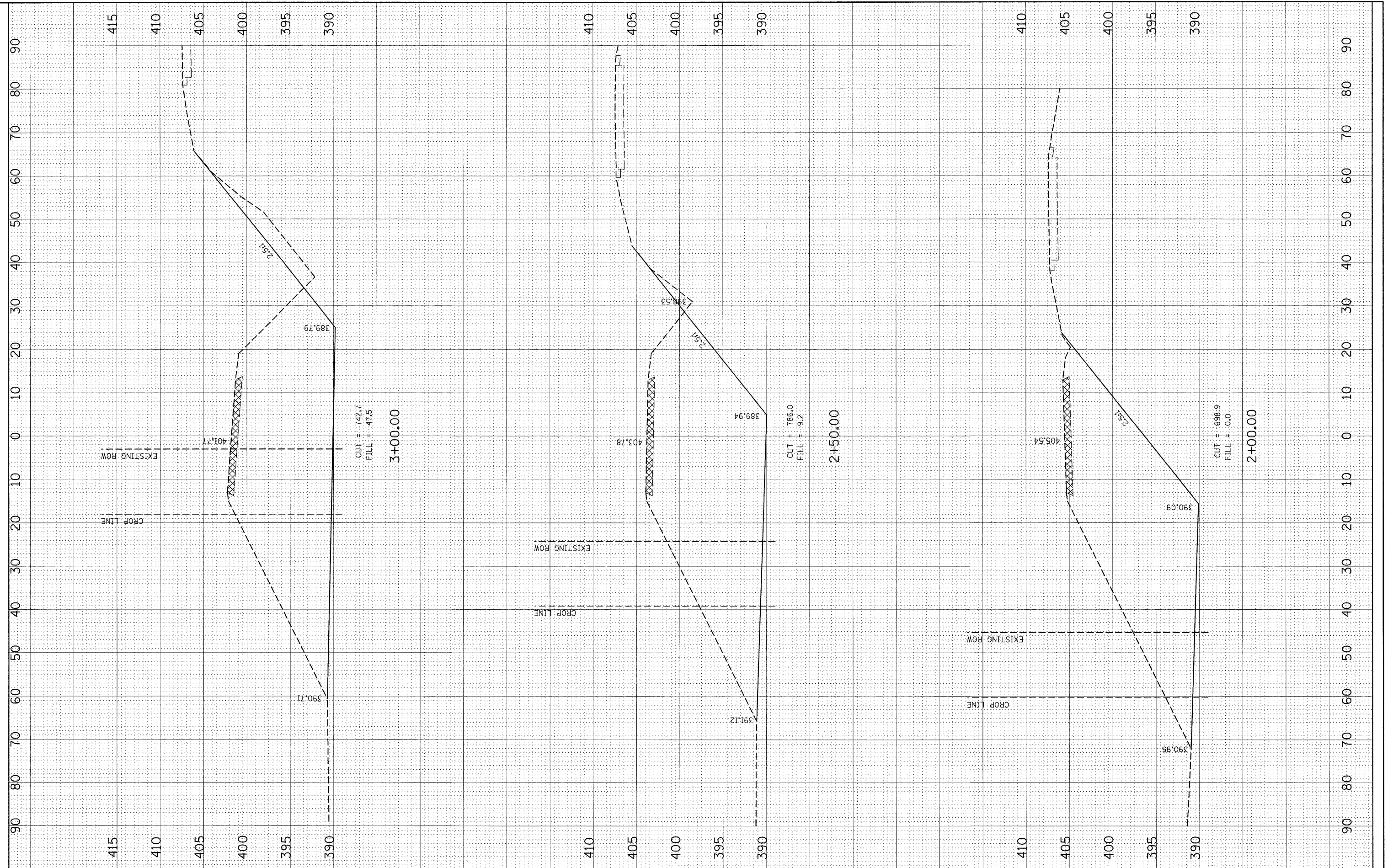
PHASE II REMOVAL CROSS SECTIONS

SCALE: _____ SHEET NO. _____ OF _____ SHEETS
 STA. +50.00 TO STA. 1+00.00

F.A.P. RTE. 817	SECTION 421R-1	COUNTY ST. CLAIR	TOTAL SHEETS 29	SHEET NO. 24
FED. ROAD DIST. NO. ILLINOIS FED. AID PROJECT			CONTRACT NO. 76C74	

FINAL SURVEY	SURVEYED	BY	DATE
NOTE BOOK NO.	PLOTTED		
	TEMPLATE		
	AREAS CHECKED		

ORIGINAL SURVEY	SURVEYED	BY	DATE
NOTE BOOK NO.	PLOTTED		
	TEMPLATE		
	AREAS CHECKED		



FILE NAME =
 c:\p_w\work\p\dot\owenb\dm51591\0876C74-sht-ssht-1.dgn

USER NAME = owenb
 DRAWN -
 CHECKED -
 DATE = 1/29/2009

DESIGNED -
 REVISIONS:
 REVISIONS:
 REVISIONS:
 REVISIONS:

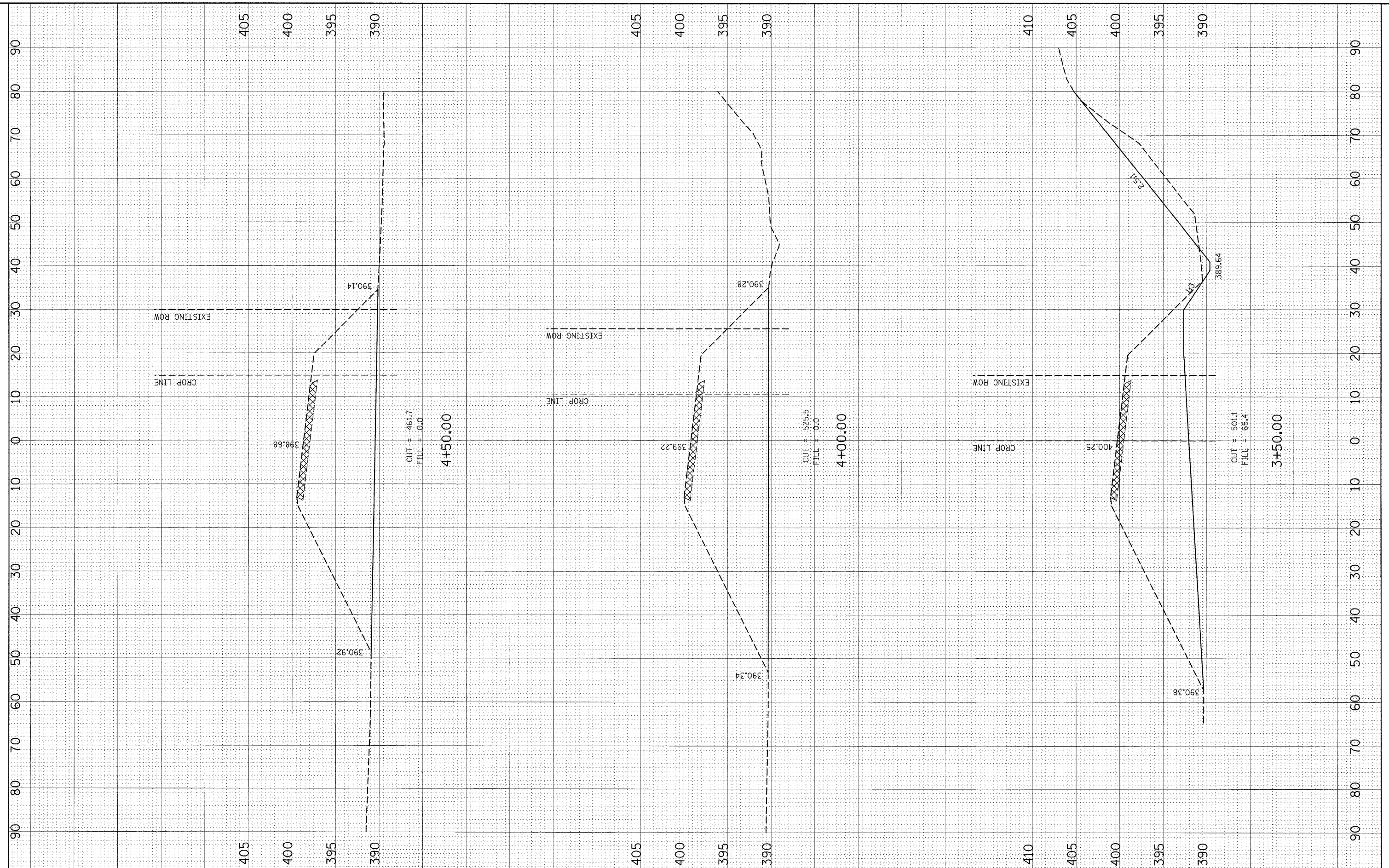
STATE OF ILLINOIS
 DEPARTMENT OF TRANSPORTATION

PHASE II REMOVAL CROSS SECTIONS
 SCALE: SHEET NO. OF SHEETS STA. 1+50.00 TO STA. 2+00.00

F.A.P. RTE.	SECTION	COUNTY	TOTAL SHEETS	SHEET NO.
817	421R-1	ST. CLAIR	29	25
CONTRACT NO. 76C74				
FED. ROAD DIST. NO. ILLINOIS FED. AID PROJECT				

FINISH SURVEY	DATE
SURVEYED	BY
PLOTTED	
TEMPLATE	
NOTE BOOK	
NO.	
AREAS CHECKED	

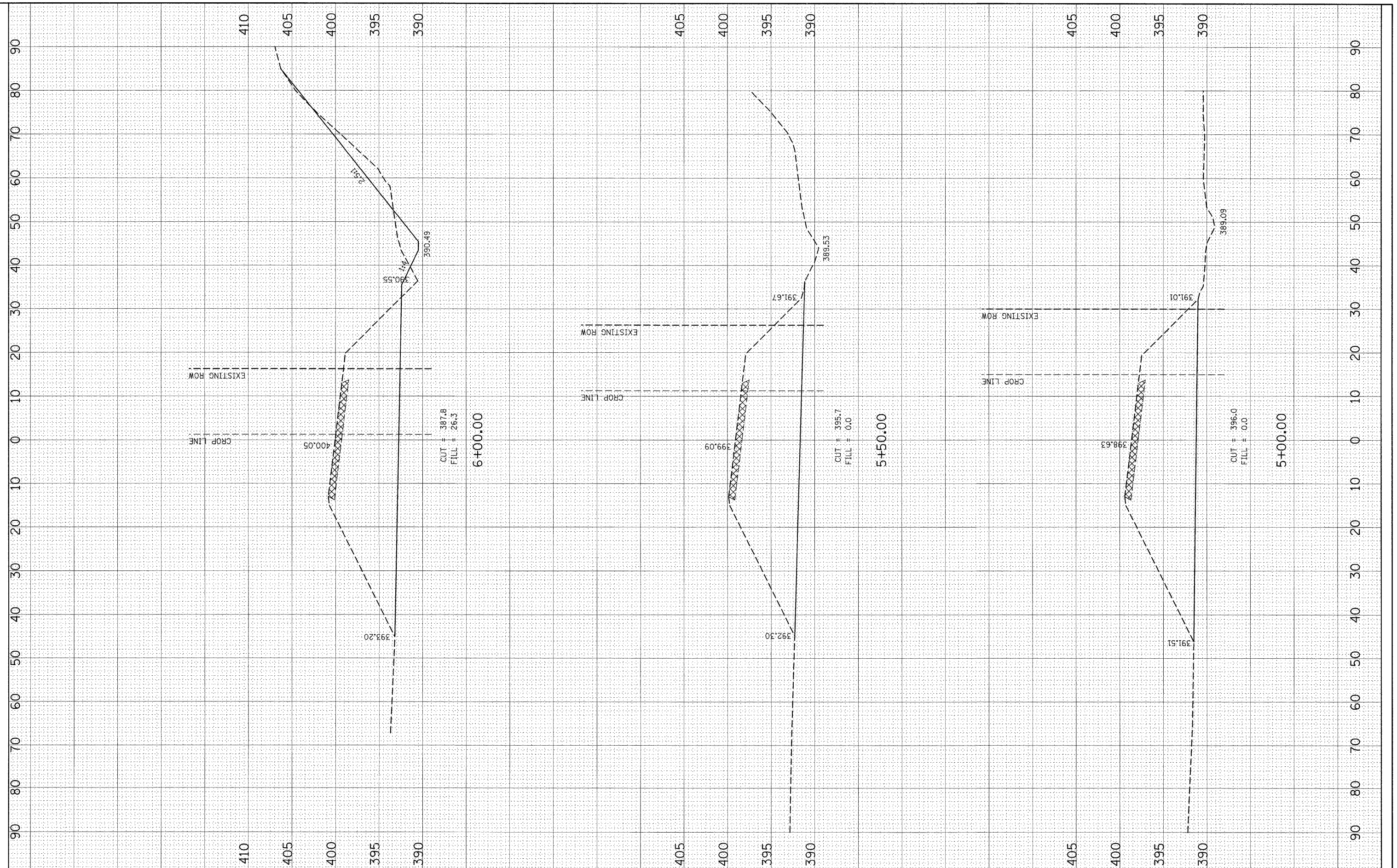
ORIGINAL SURVEY	DATE
SURVEYED	BY
PLOTTED	
TEMPLATE	
NOTE BOOK	
NO.	
AREAS CHECKED	



FILE NAME =	USER NAME = owerbj	DESIGNED -	REVISED -	STATE OF ILLINOIS DEPARTMENT OF TRANSPORTATION	PHASE II REMOVAL CROSS SECTIONS			F.A.P. RTE.	SECTION	COUNTY	TOTAL SHEETS	SHEET NO.
ci\pw_work\p\p\dot\owenbj\dms51591\0876074-sht-	ssht-1.dgn	DRAWN -	REVISED -					817	421R-1	ST. CLAIR	29	26
		CHECKED -	REVISED -					CONTRACT NO. 76C74				
		DATE -	REVISED -					ILLINOIS FED. AID PROJECT				
				SCALE:	SHEET NO.	OF	SHEETS	STA. 3+50.00	TO STA. 4+00.00			

BY	DATE
SURVEYED	
PLOTTED	
TEMPLATE	
NO. BOOK	
AREAS CHECKED	
NO.	

BY	DATE
SURVEYED	
PLOTTED	
TEMPLATE	
NO. BOOK	
AREAS CHECKED	
NO.	



FILE NAME =
 c:\pw\work\p\widot\owenbj\dms51591\0876C74-sht-ssht-1.dgn

USER NAME = owenbj
 DESIGNED -
 DRAWN -
 CHECKED -
 DATE -

REVISIED -
 REVISIED -
 REVISIED -
 REVISIED -

**STATE OF ILLINOIS
 DEPARTMENT OF TRANSPORTATION**

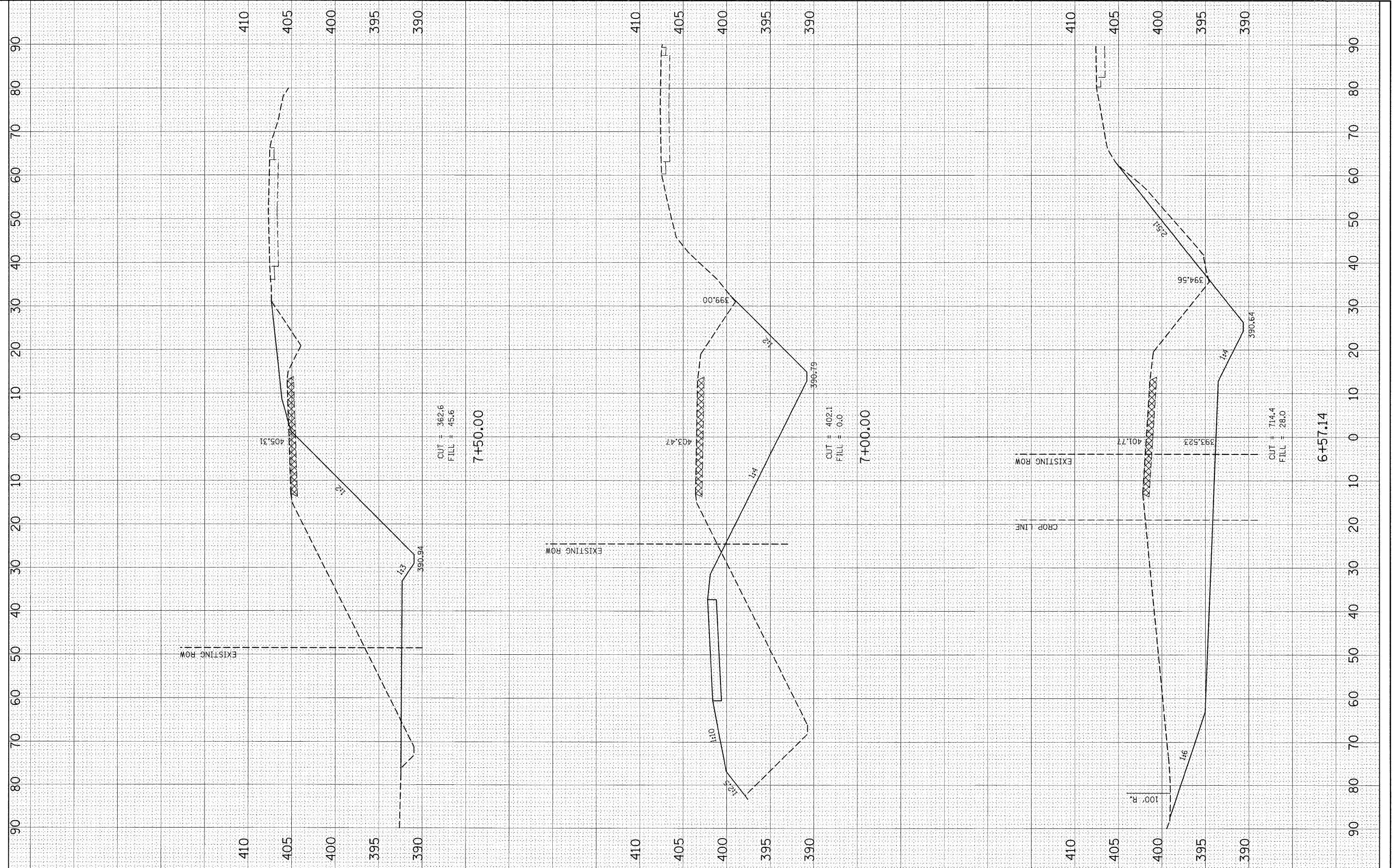
PHASE II REMOVAL CROSS SECTIONS

SCALE: SHEET NO. OF SHEETS STA. 4+50.00 TO STA. 5+00.00

F.A.P. RTE.	SECTION	COUNTY	TOTAL SHEETS	SHEET NO.
817	421R-1	ST. CLAIR	29	27
CONTRACT NO. 76C74				
FED. ROAD DIST. NO. ILLINOIS FED. AID PROJECT				

BY	DATE
FINISHED SURVEY	SURVEYED
NOTE BOOK NO.	PLOTTED
	TEMPLATE
	AREAS CHECKED

BY	DATE
ORIGINAL SURVEY	SURVEYED
NOTE BOOK NO.	PLOTTED
	TEMPLATE
	AREAS CHECKED



FILE NAME =
 c:\pw\work\p\dot\owenb\j\dms51591\087674-sht-1.dgn

USER NAME = owenb
 DESIGNED -
 DRAWN -
 CHECKED -
 DATE -

REVISIONS
 REVISED -
 REVISED -
 REVISED -
 REVISED -

**STATE OF ILLINOIS
 DEPARTMENT OF TRANSPORTATION**

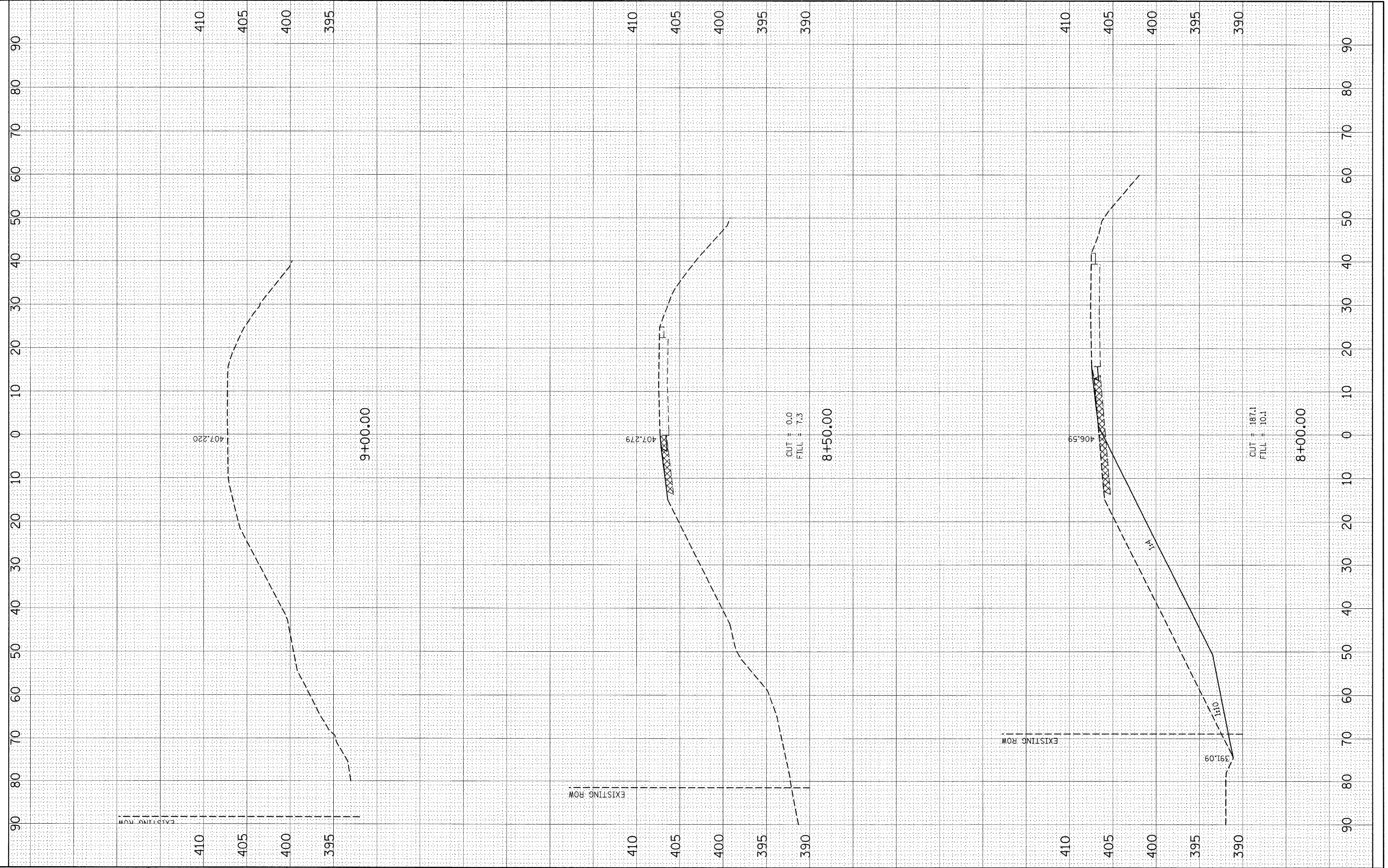
PHASE II REMOVAL CROSS SECTIONS

SCALE: SHEET NO. OF SHEETS STA. 6+57.14 TO STA. 7+00.00

F.A.P. RTE.	SECTION	COUNTY	TOTAL SHEETS	SHEET NO.
817	421R-1	ST. CLAIR	29	28
FED. ROAD DIST. NO.			ILLINOIS FED. AID PROJECT	
CONTRACT NO. 76C74				

FINAL SURVEY	SURVEYED	DATE
NOTE BOOK NO.	PLOTTED	
	TEMPLATE	
	AREAS CHECKED	

ORIGINAL SURVEY	SURVEYED	DATE
NOTE BOOK NO.	PLOTTED	
	TEMPLATE	
	AREAS CHECKED	



FILE NAME = c:\pw_work\p\dot\owenbj\dms51591\0876C74-sht-1.dgn
 USER NAME = owenbj
 DESIGNED -
 DRAWN -
 CHECKED -
 DATE - 1/29/2009

REVISIED -
 REVISIED -
 REVISIED -
 REVISIED -

**STATE OF ILLINOIS
 DEPARTMENT OF TRANSPORTATION**

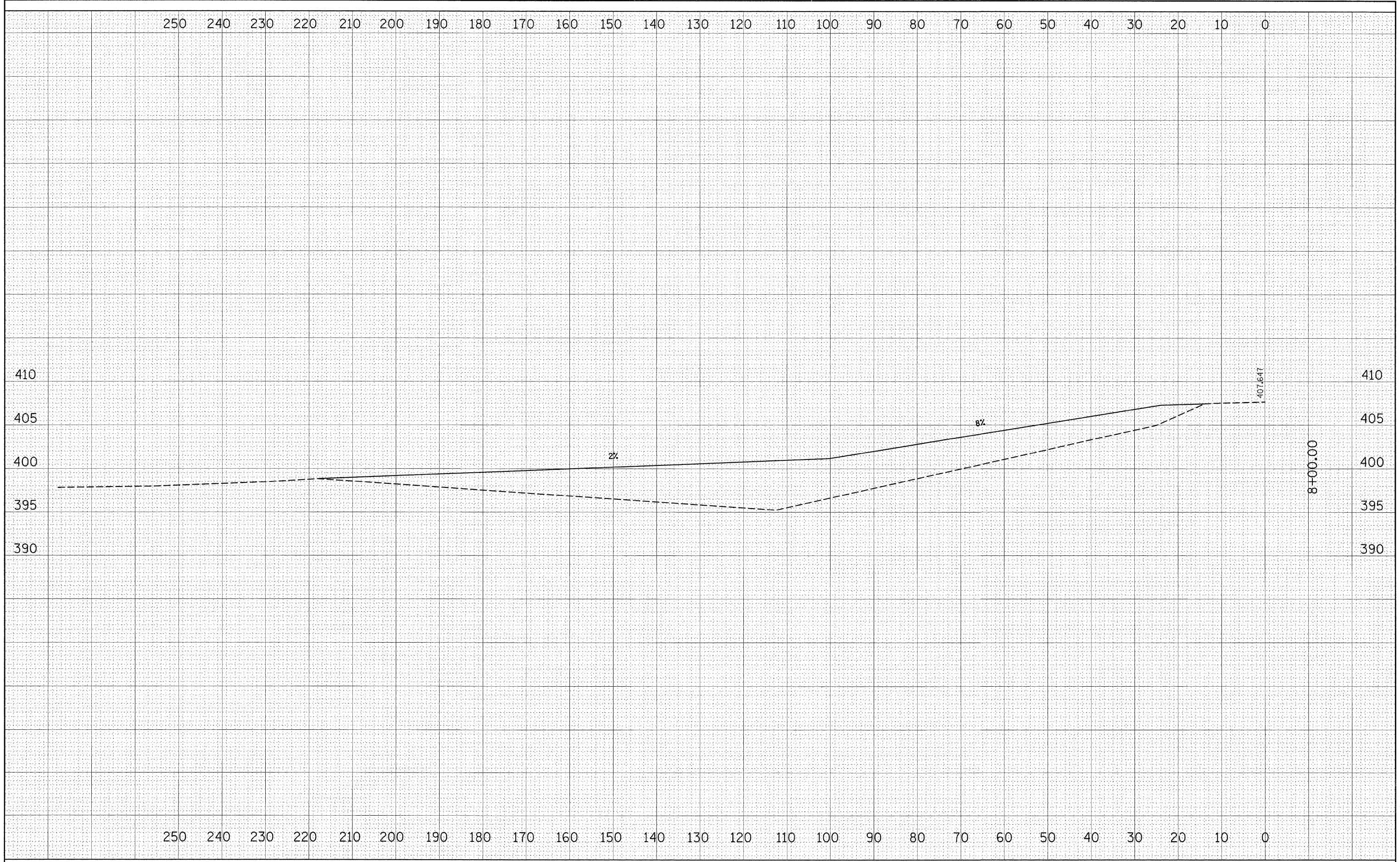
PHASE II REMOVAL CROSS SECTIONS

SCALE: SHEET NO. OF SHEETS STA. 7+50.00 TO STA. 8+00.00

F.A.P. RTE. 817	SECTION 421R-1	COUNTY ST. CLAIR	TOTAL SHEETS 29	SHEET NO. 29
FED. ROAD DIST. NO. ILLINOIS FED. AID PROJECT			CONTRACT NO. 76C74	

DATE	
BY	
SURVEYED	
PLOTTED	
TEMPLATE	
NOTE BOOK	
NO.	
AREAS CHECKED	

DATE	
BY	
SURVEYED	
PLOTTED	
TEMPLATE	
NOTE BOOK	
NO.	
AREAS CHECKED	



FILE NAME =	USER NAME = owerbj	DESIGNED -	REVISED -	STATE OF ILLINOIS DEPARTMENT OF TRANSPORTATION	RE-ESTABLISH ENTRANCE STA. 152 + 9.66				F.A.P. RTE.	SECTION	COUNTY	TOTAL SHEETS	SHEET NO.
si:\pw_work\pwwork\owenbj\dms51591\0876C74-sht-1.dgn	PLOTTED	DRAWN -	REVISED -		817	421R-1	ST. CLAIR	29	29A				
PLOT SCALE = 10.0000' / IN.	CHECKED -	REVISIED -	REVISED -		CONTRACT NO. 76C74								
PLOT DATE = 1/29/2009	DATE -	REVISED -	REVISED -		ILLINOIS FED. AID PROJECT								
SCALE:					SHEET NO.	OF	SHEETS	STA.	TO STA.				