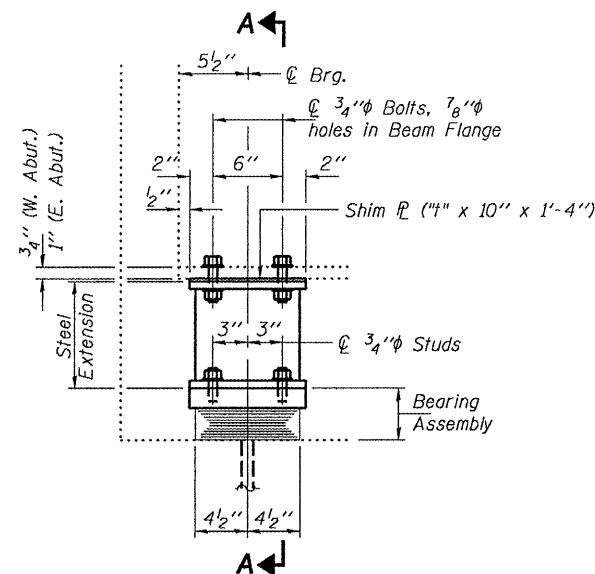
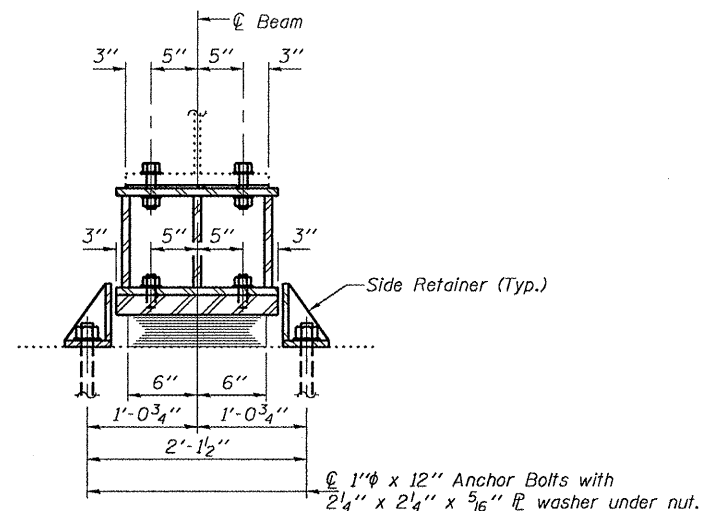


STATE OF ILLINOIS
DEPARTMENT OF TRANSPORTATION



ELEVATION AT ABUTMENT

TYPE I ELASTOMERIC EXP. BRG.

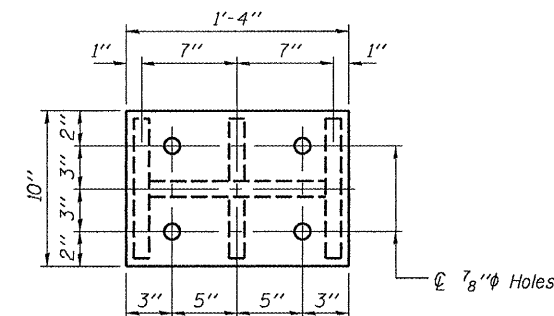


SECTION A-A

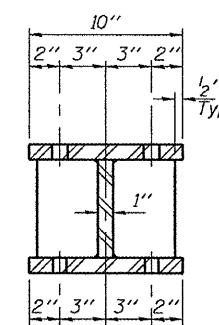
BEAM REACTIONS

	W. Abut.	E. Abut.
R _l	(K) 37.15	43.83
R _t	(K) 28.11	28.59
Imp.	(K) 6.35	6.18
R (Total)	(K) 71.61	78.60

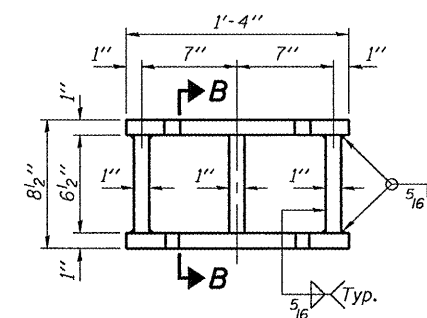
Notes:
Diaphragm removal and reinstallation may be required to facilitate drilling holes. Cost included with Furnishing and Erecting Structural Steel.
New steel extensions, shim plates and connection bolts are included with Furnishing and Erecting Structural Steel.
Prior to ordering any material, the Contractor shall verify in the field all bearing height and shim thickness dimensions. Min. Jack capacity = 50 Tons E. Abut., 45 Tons W. Abut.
Anchor bolts shall be ASTM F1554 all-thread (or an Engineer-approved alternate material) of the grade(s) and diameter(s) specified. ASTM A307 Grade C anchor bolts may be used in lieu of ASTM F1554 Grade 36 (F_y=36ksi). The corresponding specified grade of AASHTO M314 anchor bolts may be used in lieu of ASTM F1554.
Drilled and set anchor bolts shall be installed according to Article 521.06 of the Standard Specifications.
Side retainers shall be included in the cost of Elastomeric Bearing Assembly, Type I.



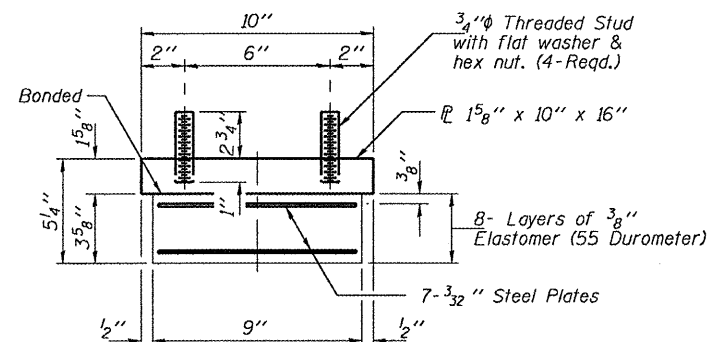
PLAN TOP AND BOTTOM PLATE



SECTION B-B

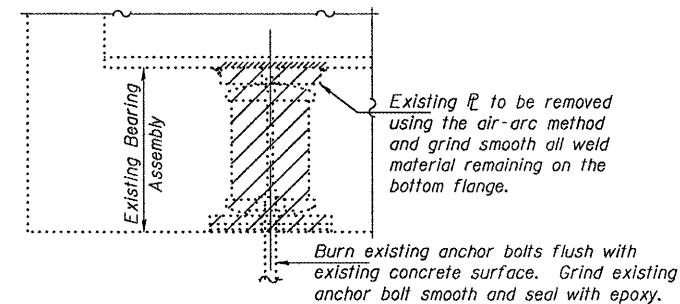


STEEL EXTENSION DETAIL



BEARING ASSEMBLY

Note:
Shim plates shall not be placed under Bearing Assembly.



EXISTING BEARING REMOVAL DETAIL

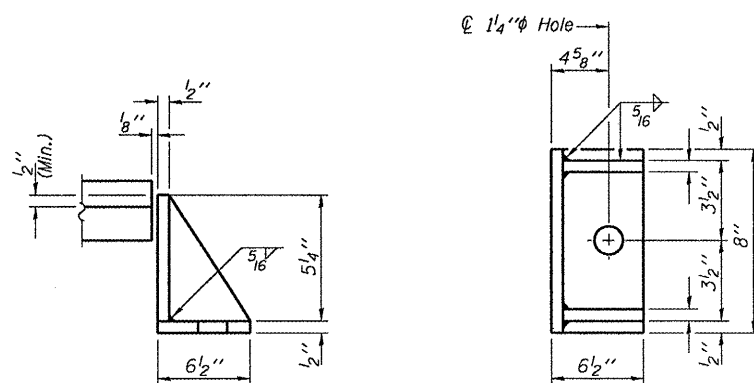
Cost included with Jack and Remove Existing Bearings.

SHIM PLATES

Girder	Abut.	Thickness
2	West	3/8"

BILL OF MATERIAL

Item	Unit	Total
Elastomeric Bearing Assembly Type I	Each	10
Jack and Remove Existing Bearings	Each	10
Furnishing and Erecting Structural Steel	Pound	1690
Anchor Bolts, 1" @	Each	20



SIDE RETAINER

Equivalent rolled angle with stiffeners will be allowed in lieu of welded plates.

BEARING REPLACEMENT DETAILS
F.A.S. 815 (CH-20) OVER F.A.I. 64
SN 097-0044

DESIGNED	AJB
CHECKED	ATH
DRAWN	Kyle M. Steffen
CHECKED	AJB ATH

JANUARY 13, 2009
EXAMINED *Carl Kroyer*
ENGINEER OF STRUCTURAL SERVICES
PASSED *Ralph E. Anderson*
ENGINEER OF BRIDGES AND STRUCTURES

TYI/REPS 11-01-2006

SHEET NO. 3	F.A.S. RTE. 815	SECTION D9 CM BRIDGE REPAIR FY09-1	COUNTY WHITE	TOTAL SHEETS 16	SHEET NO. 7
5 SHEETS	FED. ROAD DIST. NO.	ILLINOIS	FED. AID PROJECT	CONTRACT NO. 78094	