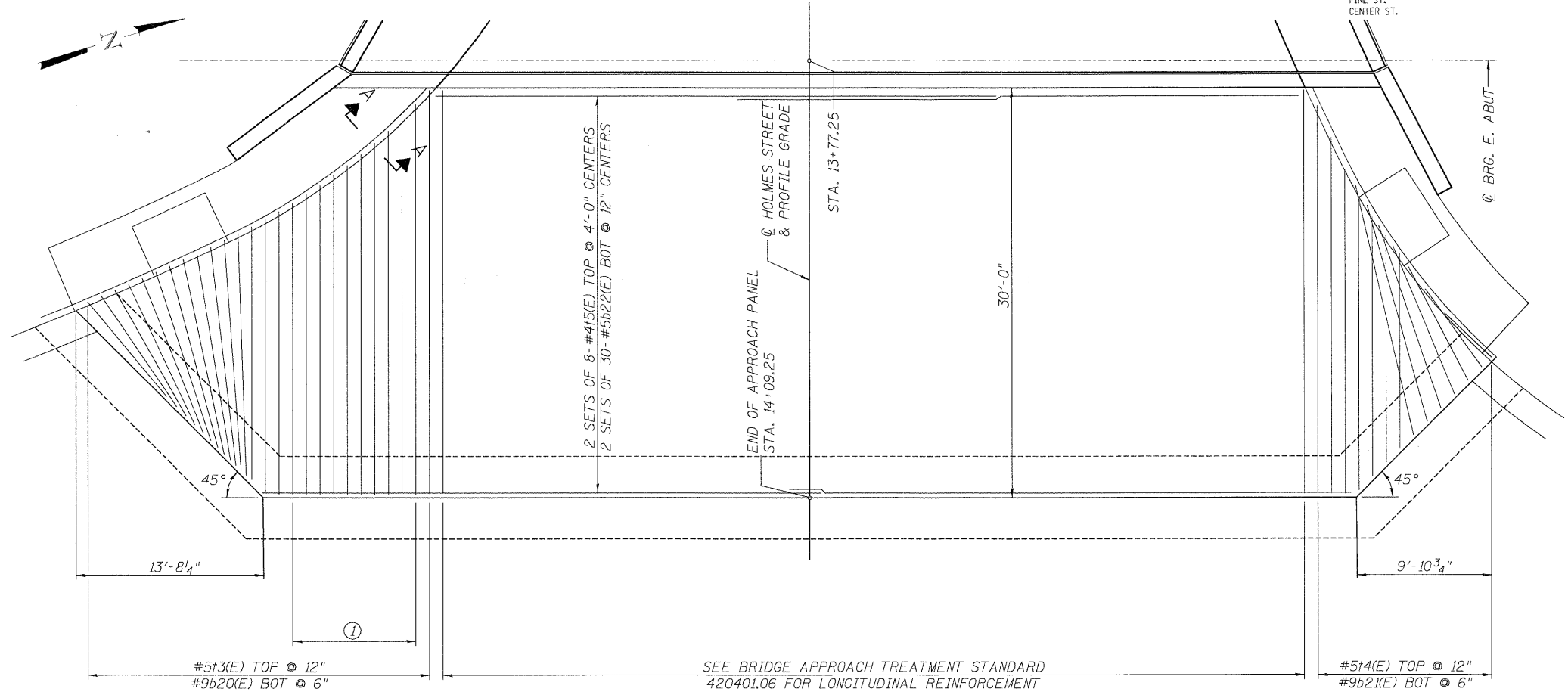
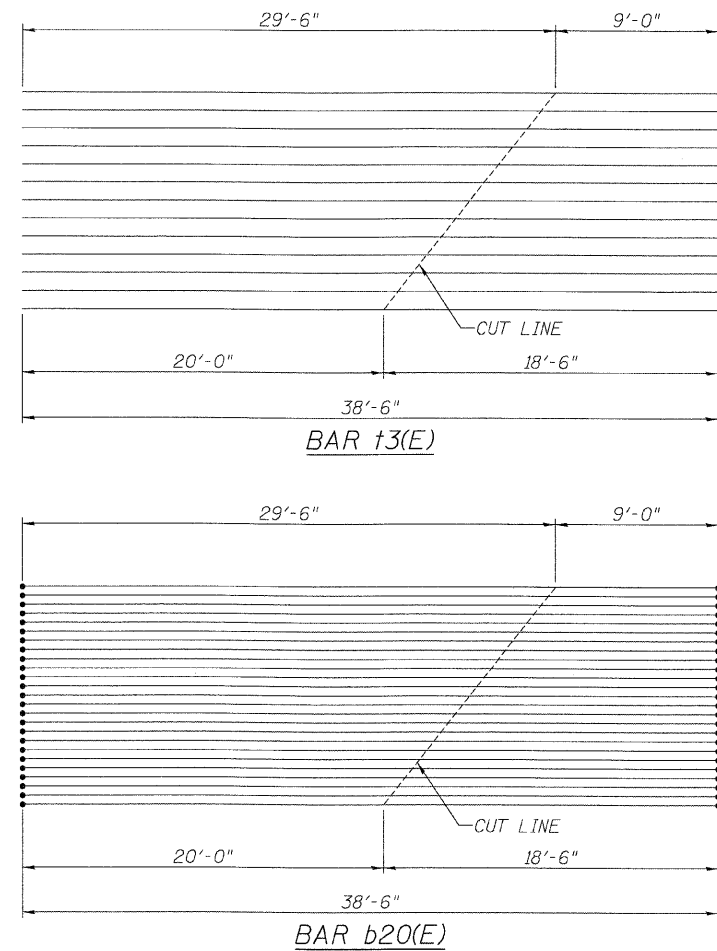


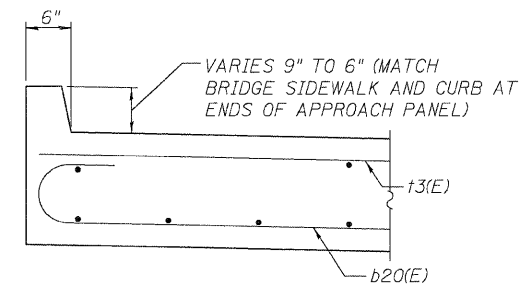
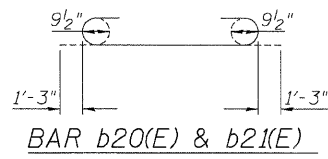
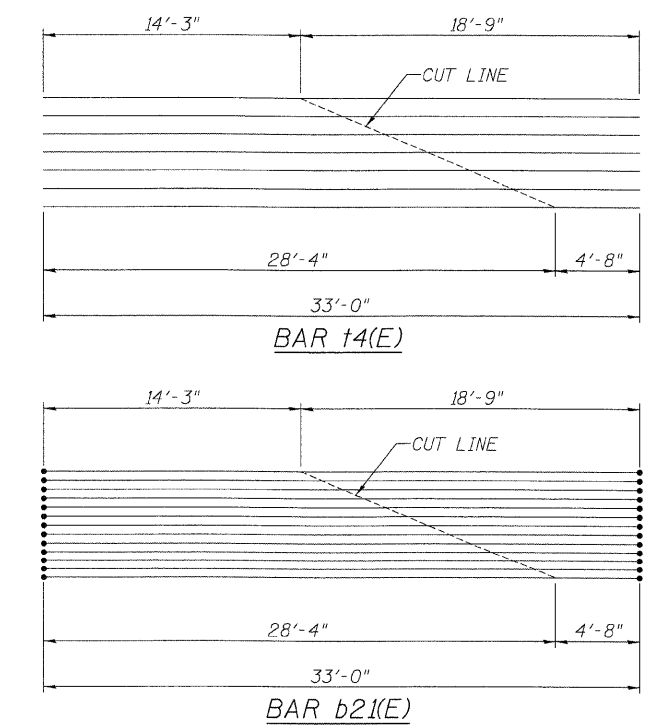
F.P. RTE.	SECTION	COUNTY	TOTAL SHEETS	SHEET NO.
• 00-00043-00-BR		FORD	51	31
FED. ROAD DIST. NO. 3	ILLINOIS	CONTRACT NO. 87198		

• HOLMES ST.
PINE ST.
CENTER ST.



SEE BRIDGE APPROACH TREATMENT STANDARD 420401.06 FOR LONGITUDINAL REINFORCEMENT

PLAN



SECTION A-A
(OTHER END SIMILAR)

NOTES:

- SEE BRIDGE APPROACH TREATMENT STANDARD 420401-06 FOR ADDITIONAL DETAILS.
- REINFORCEMENT SHOWN IS PAID FOR UNDER BRIDGE APPROACH TREATMENT.
- ① FIELD CUT BARS AS NECESSARY AND REPAIR EPOXY COATING.

EAST APPROACH PANEL
DETAILS
HOLMES STREET OVER
ILLINOIS CENTRAL RAILROAD
CITY OF PAXTON, FORD COUNTY

DESIGN BY BAP	DRAWING NO. C-31	Job# C-93-016-01
DRAWN BY DJR		DATE 7/1/08
CHECKED BY DRS		SCALE AS SHOWN

Edwards and Kelcey	DATE	REVISIONS

6/30/2008 1:59:39 PM P:\01095601\Chicago - CADD\Sheet\St. E\ApproachPanel.dgn