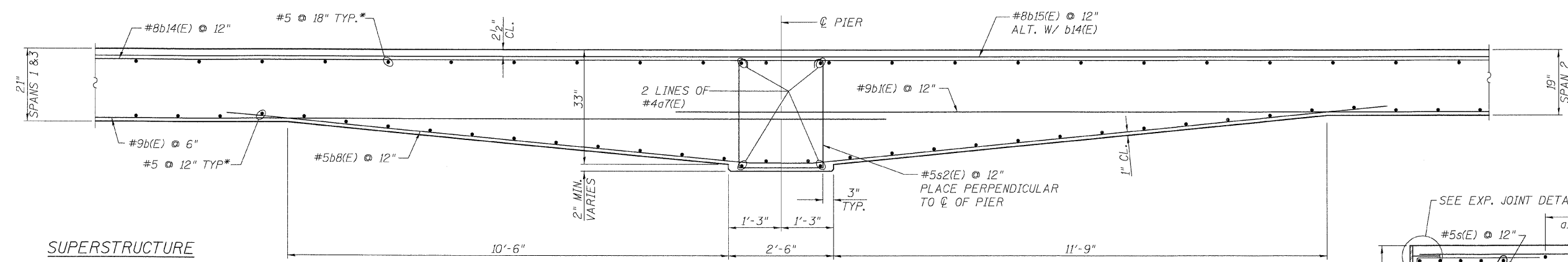


FAP. RTE.	SECTION	COUNTY	TOTAL SHEETS	SHEET NO.
00-00043-00-BR	FORD	51	41	
FED. ROAD DIST. NO. 3	ILLINOIS	CONTRACT NO. 87198		

HOLMES ST.
PINE ST.
CENTER ST.



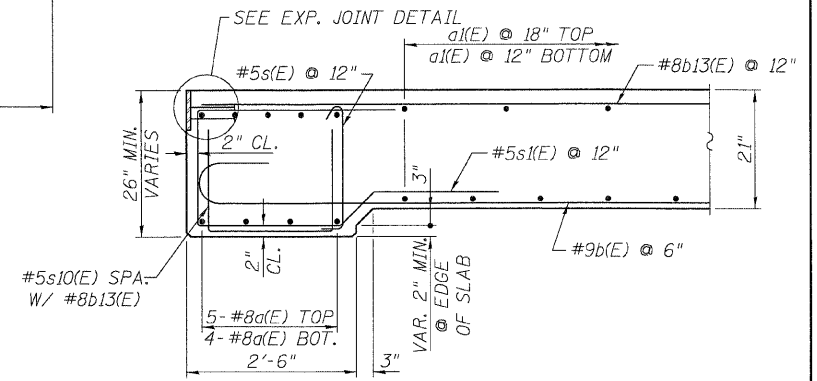
**SUPERSTRUCTURE
BILL OF MATERIAL**

Bar	No.	Size	Length	Shape
a(E)	27	#8	41'-8"	
a1(E)	72	#5	41'-8"	
a2(E)	129	#5	30'-0"	
a3(E)	73	#5	19'-10"	
a4(E)	37	#5	28'-5"	
a5(E)	19	#5	37'-0"	
a6(E)	32	#5	38'-0"	
a7(E)	16	#4	24'-8"	
b(E)	162	#9	48'-2"	
b1(E)	41	#9	49'-3"	
b2(E)	5	#9	9'-0" TO 33'-3"	
b3(E)	2	#9	40'-0"	
b4(E)	12	#9	47'-10" TO 50'-6"	
b5(E)	12	#9	30'-7" TO 32'-6"	
b6(E)	15	#9	27'-0"	
b7(E)	24	#9	6'-2"	
b8(E)	86	#5	27'-9"	
b9(E)	16	#5	36'-3"	
b10(E)	10	#9	35'-8"	
b11(E)	5	#9	14'-3"	
b12(E)	10	#9	21'-9"	
b13(E)	84	#8	25'-7"	
b14(E)	85	#8	49'-6"	
b15(E)	91	#8	36'-0"	
b16(E)	18	#8	41'-3"	
b17(E)	10	#8	28'-9"	
b18(E)	10	#8	27'-0"	
b19(E)	12	#8	27'-10"	
c(E)	181	#5	5'-4"	
c1(E)	94	#5	7'-11"	
c2(E)	275	#5	5'-8"	
c3(E)	80	#5	30'-0"	
d(E)	56	#5	7'-10"	
d1(E)	16	#5	11'-5"	
e(E)	80	#7	36'-6"	
e1(E)	8	#5	9'-8"	
e2(E)	8	#7	9'-8"	
e3(E)	8	#5	8'-10"	
s(E)	117	#5	2'-9"	
s1(E)	117	#5	9'-9"	
s2(E)	90	#5	8'-0"	
s3(E)	237	#5	8'-4"	
s4(E)	133	#5	6'-2"	
s5(E)	133	#5	6'-6"	
s6(E)	426	#5	8'-6"	
s7(E)	16	#4	4'-5"	
s8(E)	16	#4	5'-1"	
s9(E)	12	#4	6'-1"	
s10(E)	84	#5	5'-6"	

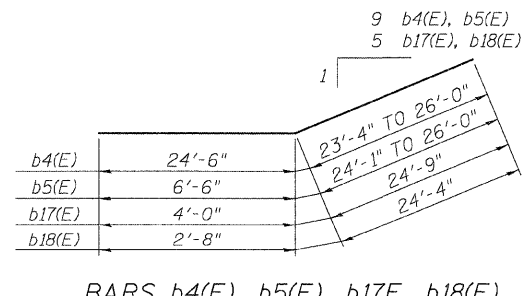
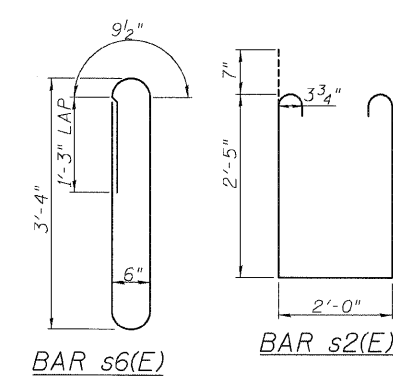
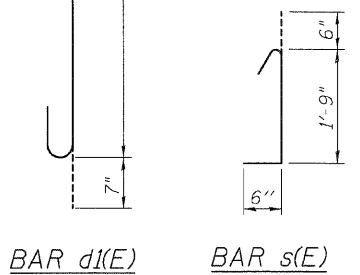
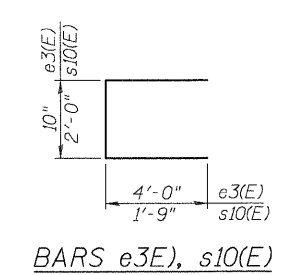
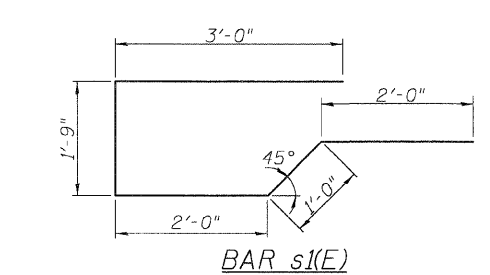
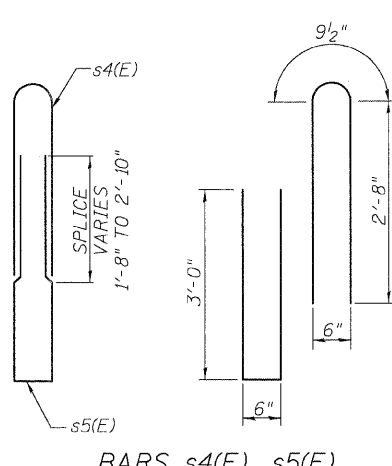
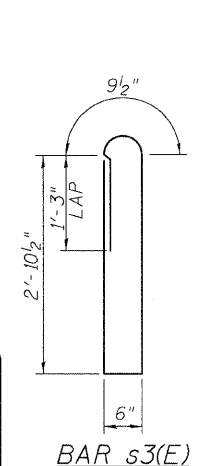
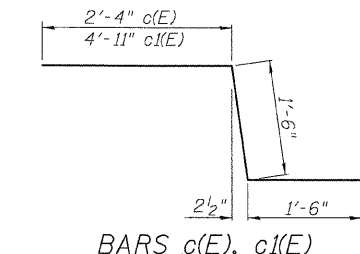
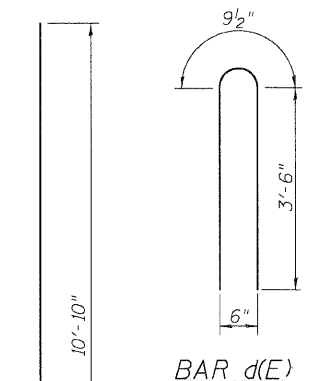
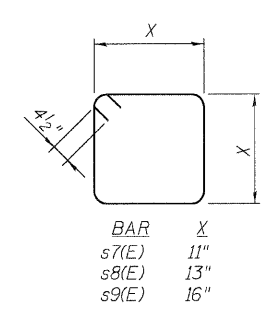
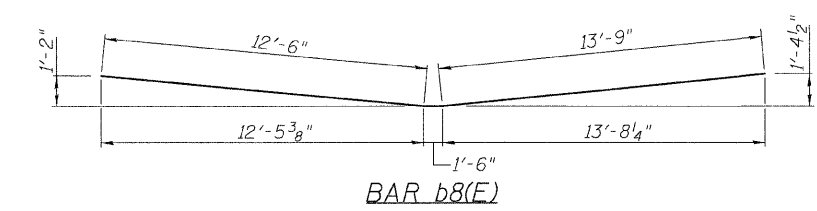
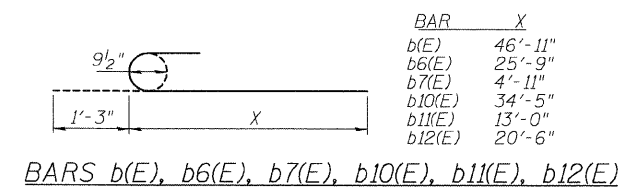
* SPECIAL RAIL BARS NOT INCLUDED IN TOTAL QUANTITY. PAID FOR UNDER CONCRETE BRIDGE RAIL (SPECIAL).
** CONCRETE LIGHT POLE BARS NOT INCLUDED IN TOTAL QUANTITY. PAID FOR UNDER REINFORCED CONCRETE LIGHT POLES (SPECIAL).

**SECTION B-B
(PIER 2 SIMILAR)**

* #5 TRANSVERSE BARS MAY BE a(E) THROUGH a6(E) TO ACCOMMODATE CHANGING LENGTHS DUE TO FLARED ENDS



**SECTION A-A
(EAST ABUT. SIMILAR)**



**SUPERSTRUCTURE DETAILS
AND BAR SCHEDULE**
HOLMES STREET OVER
ILLINOIS CENTRAL RAILROAD
CITY OF PAXTON, FORD COUNTY

DESIGN BY	DRS	DRAWING NO.	S-8
DRAWN BY	DJR	Job#	C-93-016-01
CHECKED BY	BAP	DATE	1/1/08
		SCALE	AS SHOWN



DATE	REVISIONS

6/30/2008 2:00:23 PM P:\00000001\Chicago_CADD\Sheets\SS_deck3.dwg