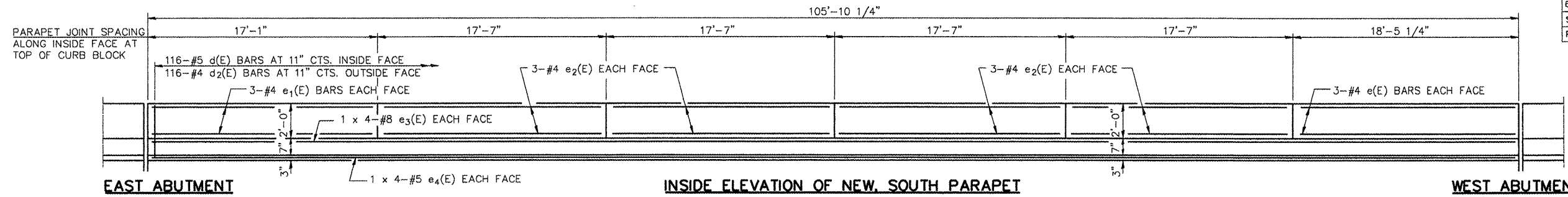


F.A.U. RTE.	SECTION	COUNTY	TOTAL SHEETS	SHEET NO.
6713	05-00148-00-PV	TAZEWELL	74	49
STA. 154+17.98		STRUCTURE NO. 090-0027		
FED. ROAD DIST. NO. 4 ILLINOIS		FED. AID PROJECT		



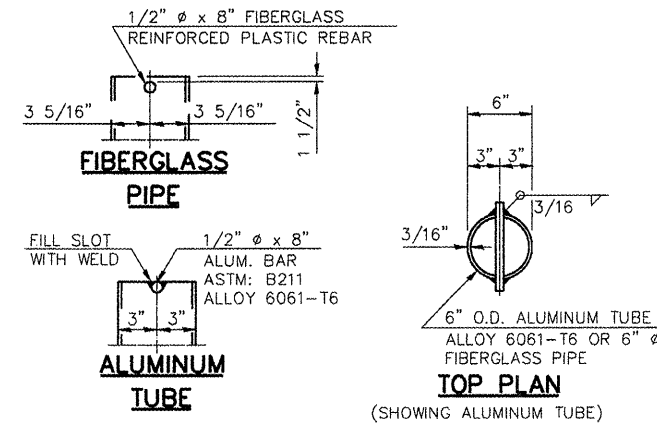
MIN. BAR LAPS

- #4 BARS = 1'-8"
- #5 BARS = 2'-2"
- #6 BARS = 2'-7"
- #7 BARS = 3'-5"
- #8 BARS = 4'-6"

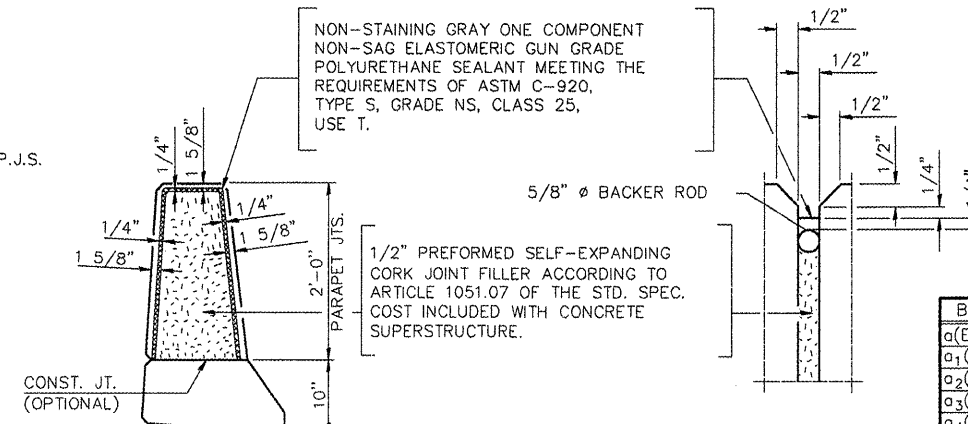
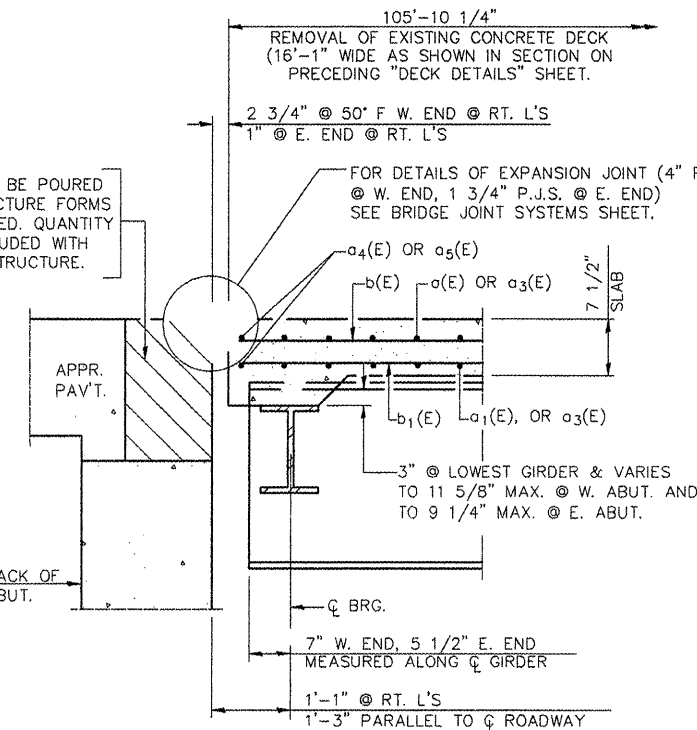
INSIDE ELEVATION OF NEW SOUTH PARAPET

(LOOKING SOUTH)

NOTE: THE PARAPET SLIP FORMING OPTION IS NOT PERMITTED.



HATCHED AREA TO BE POURED AFTER SUPERSTRUCTURE FORMS HAVE BEEN REMOVED. QUANTITY OF CONCRETE INCLUDED WITH CONCRETE SUPERSTRUCTURE.



SUPERSTRUCTURE BILL OF MATERIAL

BAR NO.	SIZE	LENGTH	SHAPE
a(E)	228	#5	31'-4"
a ₁ (E)	167	#5	30'-6"
a ₂ (E)	114	#6	4'-6"
a ₃ (E)	395	#5	18'-0"
a ₄ (E)	4	#5	20'-9"
a ₅ (E)	4	#5	35'-3"
b(E)	204	#5	28'-0"
b ₁ (E)	260	#5	22'-10"
d(E)	116	#5	3'-0"
d ₁ (E)	116	#5	2'-5"
d ₂ (E)	116	#4	3'-0"
d ₃ (E)	116	#4	3'-5"
e(E)	6	#4	17'-4"
e ₁ (E)	6	#4	16'-8"
e ₂ (E)	24	#4	17'-2"
e ₃ (E)	8	#8	29'-9"
e ₄ (E)	8	#5	28'-0"
s ₂ (E)	88	#4	3'-7"
s ₃ (E)	88	#4	4'-0"

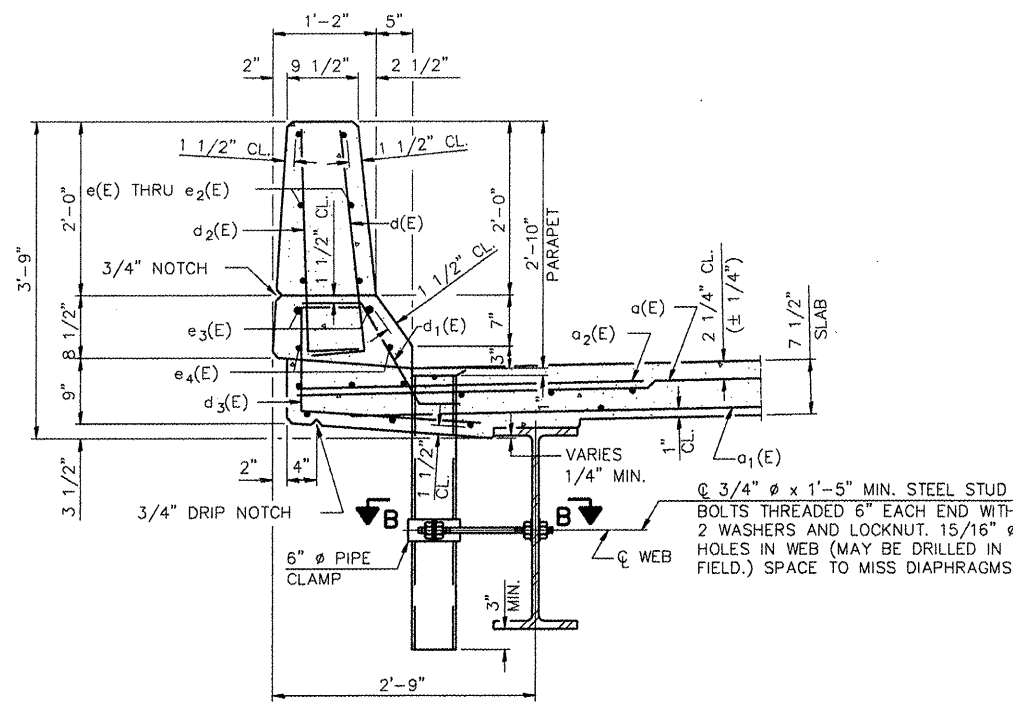
FLOOR DRAINS	EACH	6
PROTECTIVE COAT	SQ. YD.	636
REINFORCEMENT BARS, EPOXY COATED	LBS.	36,210
CONCRETE SUPERSTRUCTURE	CU. YDS.	149.3
BRIDGE DECK GROOVING	SQ. YD.	548

REINFORCEMENT BARS DESIGNATED (E) SHALL BE EPOXY COATED.

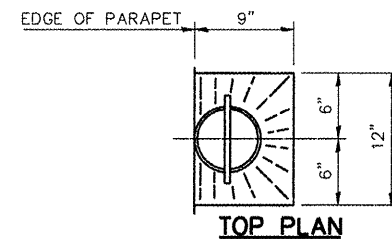
BARS INDICATED THUS 1 X 3 -#5 ETC. INDICATES 1 LINE OF BARS WITH 3 LENGTHS PER LINE.

NOTES:
THE EXTERIOR SURFACES OF THE FLOOR DRAINS SHALL BE PAINTED WITH THE FINISH COAT AS SPECIFIED IN THE SPECIAL PROVISIONS FOR CLEANING AND PAINTING NEW METAL STRUCTURES. THE EXTERIOR SURFACES OF THE DRAINS SHALL BE CLEANED ACCORDING TO STEEL STRUCTURES PAINTING COUNCIL'S SPEC. SSPC-SP1 PRIOR TO PAINTING.

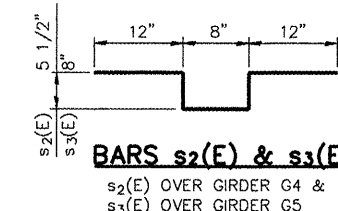
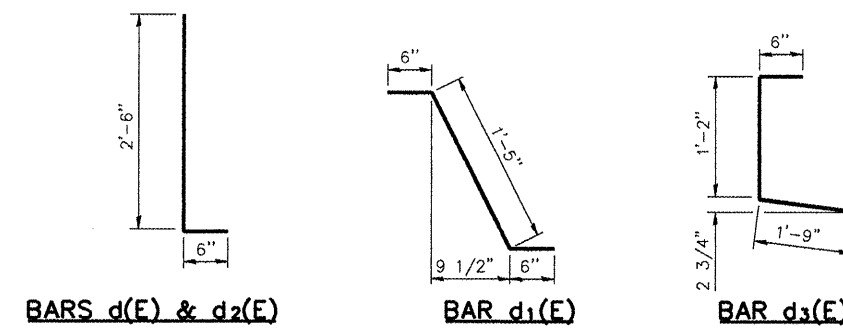
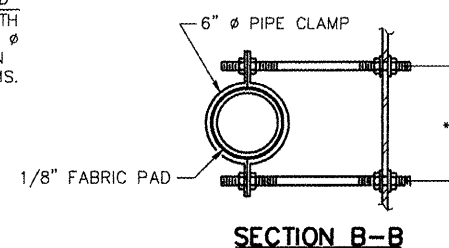
FIBERGLASS PIPE SHALL CONFORM TO ASTM D 2996, WITH SHORT-TIME RUPTURE STRENGTH HOOP TENSILE STRESS OF 30,000 P.S.I. MINIMUM.



SECTION A-A



* DIMENSION AS REQUIRED BY PIPE CLAMP



REVISIONS	
NAME	DATE

ILLINOIS DEPARTMENT OF TRANSPORTATION
CAMP ST. OVER FARM CREEK DIVERSION CHANNEL DECK DETAILS
SCALE: N.T.S. DRAWN BY: MGM
DATE: 12/22/2008 CHECKED BY: P.JL