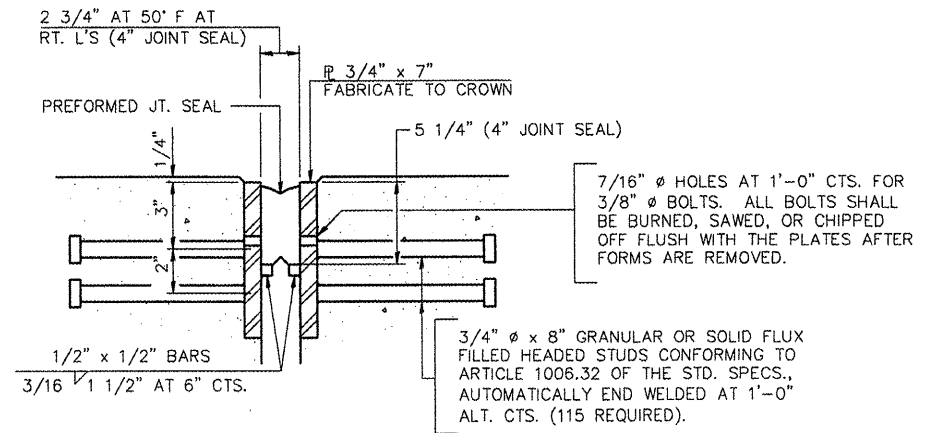


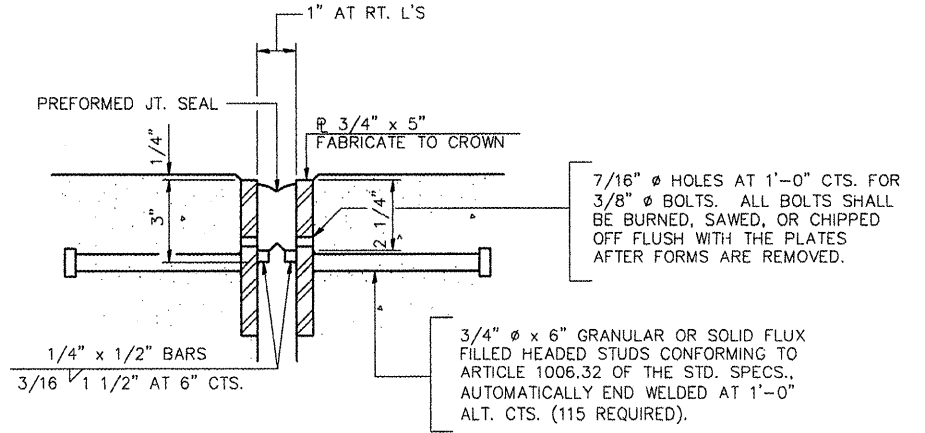
F.A.U. RTE.	SECTION	COUNTY	TOTAL SHEETS	SHEET NO.
6713	05-00148-00-PV	TAZEWELL	74	50
STA. 154+17.98		STRUCTURE NO. 090-0027		
FED. ROAD DIST. NO. 4		ILLINOIS FED. AID PROJECT		

GENERAL NOTES

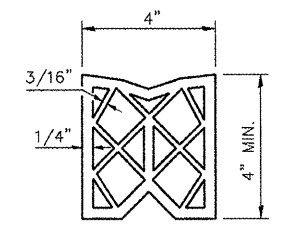
FURNISH STEEL PLATES IN SEGMENTS OF 20 FEET MAXIMUM LENGTH. MAXIMUM SPACE BETWEEN INSTALLED SEGMENTS SHALL BE 3/16". SEAL SPACE WITH SILICON SEALANT SUITABLE FOR STRUCTURAL STEEL.



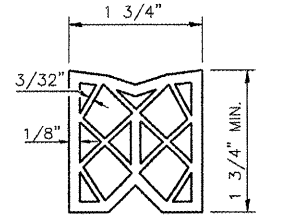
SECTION THRU EXPANSION JOINT AT W. ABUT. (4" JOINT SEALS)



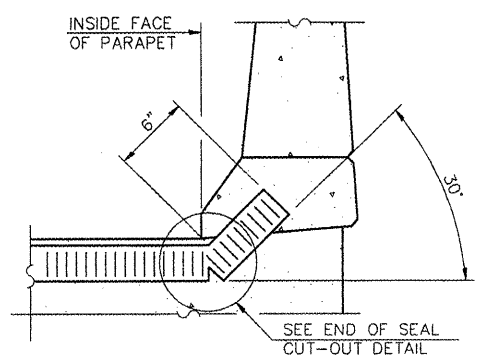
SECTION THRU FIXED PREFORMED JOINT SEAL AT E. ABUT. (1 3/4" JOINT SEALS)



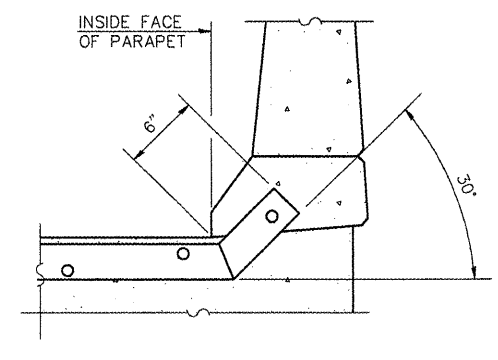
PREFORMED JOINT SEAL (4") AT W. ABUT.



PREFORMED JOINT SEAL (1 3/4") AT E. ABUT.

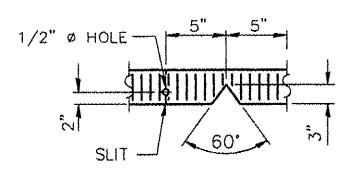


AT NEW SOUTH PARAPET (SHOWING SEAL)

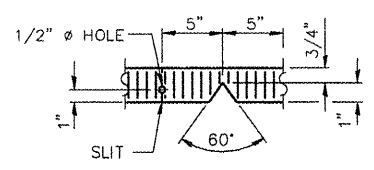


AT NEW SOUTH PARAPET (SHOWING PLATE)

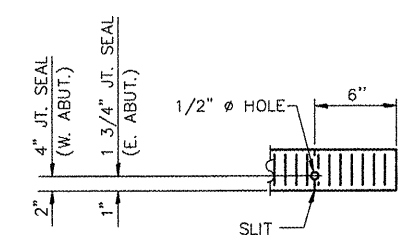
TYPICAL END OF SEAL TREATMENTS AT BOTH ABUTMENTS



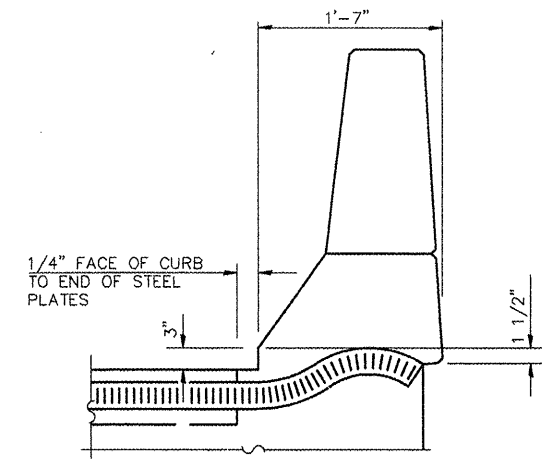
SEAL CUT-OUT (4") AT NORTH PARAPET AT W. ABUT.



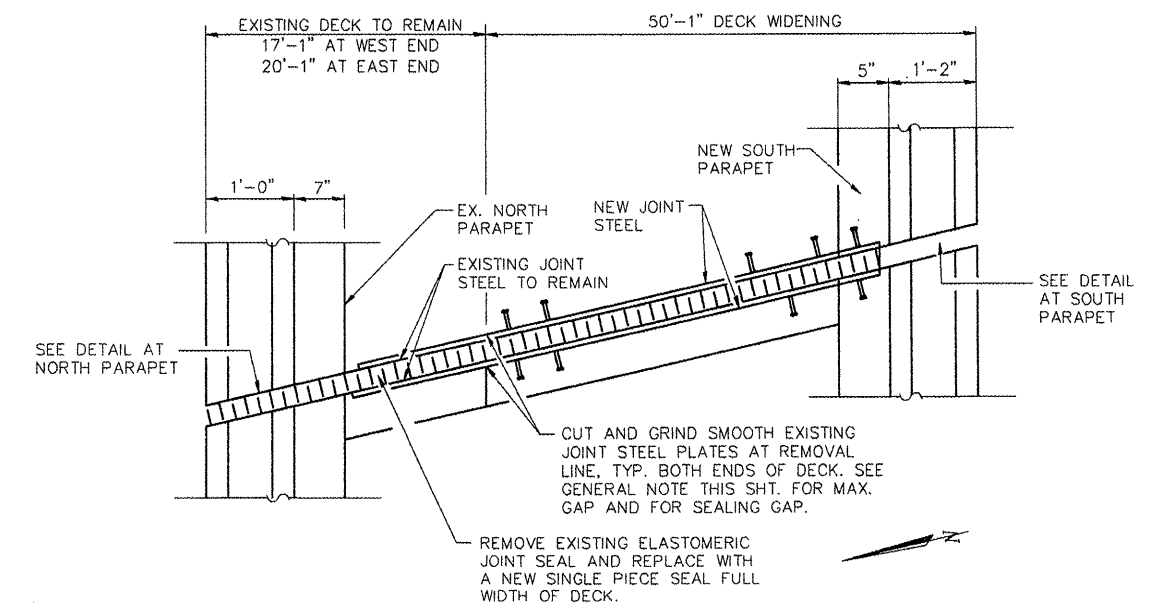
SEAL CUT-OUT (1 3/4") AT NORTH PARAPET AT E. ABUT.



END OF SEAL CUT-OUT AT NEW SOUTH PARAPET



TYPICAL END OF SEAL TREATMENTS, BOTH ABUT. AT EXISTING N. PARAPET
 MATCH EXISTING DETAIL TO REPLACE JOINT SEALS.



PLAN AT ENDS OF DECK (WEST END SHOWN, EAST END SIMILAR)

BILL OF MATERIAL

ITEM	UNIT	TOTAL
PREFORMED JOINT SEAL, 1 3/4"	FOOT	79.6
PREFORMED JOINT SEAL, 4"	FOOT	76.1

SEE SPECIAL PROVISIONS

REVISIONS	
NAME	DATE

ILLINOIS DEPARTMENT OF TRANSPORTATION
CAMP ST. OVER FARM CREEK DIVERSION CHANNEL BRIDGE JOINT SYSTEMS
 SCALE: N.T.S.
 DATE: 12/22/2008
 DRAWN BY: MGM
 CHECKED BY: PUL