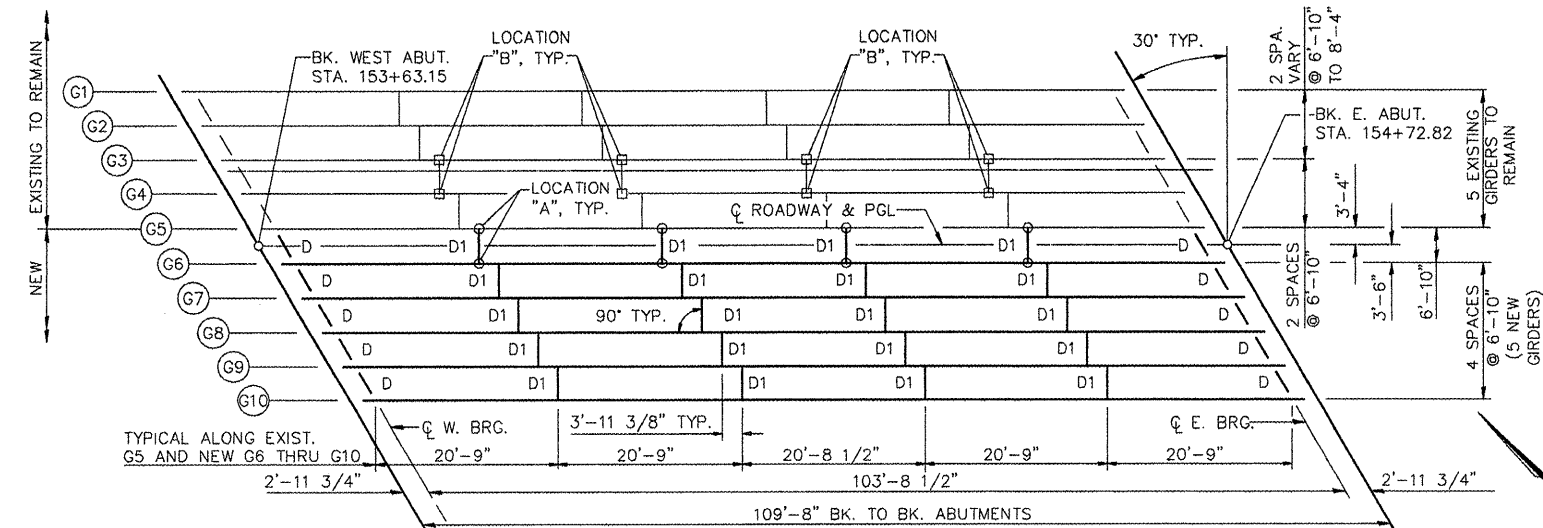


F.A.U. RTE.	SECTION	COUNTY	TOTAL SHEETS	SHEET NO.
6713	05-00148-00-PV	TAZEWELL	74	51
STA. 154+17.98		STRUCTURE NO. 090-0027		
FED. ROAD DIST. NO. 4 ILLINOIS		FED. AID PROJECT		

**NEW GIRDER TOP OF WEB ELEVATIONS & CAMBER**

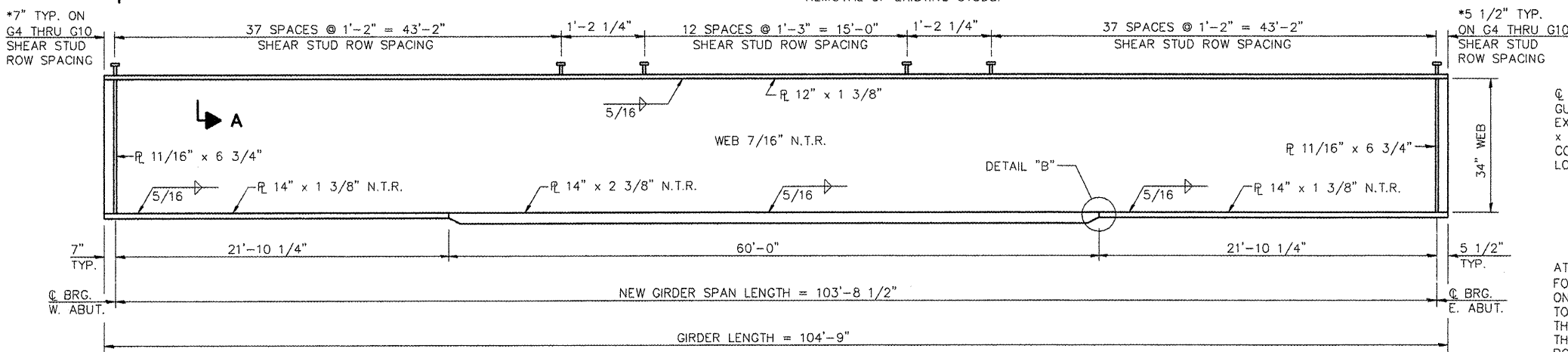
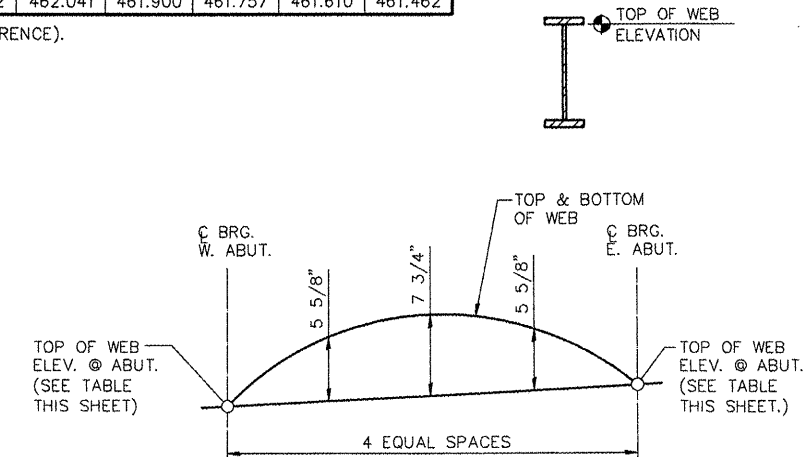
	G4	G5	G6	G7	G8	G9	G10
TOP OF WEB @ C BEARING WEST ABUT.	461.583	461.661	462.071	461.994	461.914	461.833	461.748
TOP OF WEB @ C BEARING EAST ABUT.	461.511	461.522	462.041	461.900	461.757	461.610	461.462

NOTE: FOR FABRICATION USE ONLY (G4 & G5 GIVEN FOR REFERENCE).



**AT 8 LOCATIONS "B"**

1. DURING STAGE II CONSTRUCTION, PRIOR TO REMOVAL OF EXISTING DECK, TEMPORARILY REMOVE 4 EXISTING DIAPHRAGMS, FORM 1 1/2" VERTICAL LONG SLOTTED HOLES IN CONNECTOR PLATES. REINSTALL DIAPHRAGMS WITH NEW 3/4" Ø HS BOLTS IN FINGER TIGHTENED CONDITION.
2. FULLY TIGHTEN BOLTS AFTER COMPLETION OF STAGE II POURING.
3. THIS WORK SHALL BE INCLUDED IN FURNISHING AND ERECTING STRUCTURAL STEEL.



**NEW GIRDER G6 THRU G10 ELEVATION**

"NTR" DENOTES PLATES TO WHICH NOTCH TOUGHNESS REQUIREMENTS ARE APPLICABLE.

**NOTES:**

1. REMOVE EXISTING SHEAR STUDS ON GIRDERS G4 AND G5, REPLACE WITH LONGER STUDS TO COMPENSATE FOR TALLER FILLET. IN CASE OF A PULLOUT OF METAL, THE POCKET SHALL BE WELDED ACCORDING TO ARTICLE 505.04(Q) USING THE SHIELDED METAL-ARC PROCESS WITH LOW HYDROGEN ELECTRODES AND THEN GROUND FLUSH. COST OF REMOVING EXISTING STUDS, WELDING, AND GRINDING TOP SURFACE OF GIRDERS SMOOTH AND FLUSH IS INCLUDED IN STUD SHEAR CONNECTORS.
2. SEE CROSS SECTION, DECK DETAILS SHEET FOR FILLET STIRRUPS AT G4 AND G5.

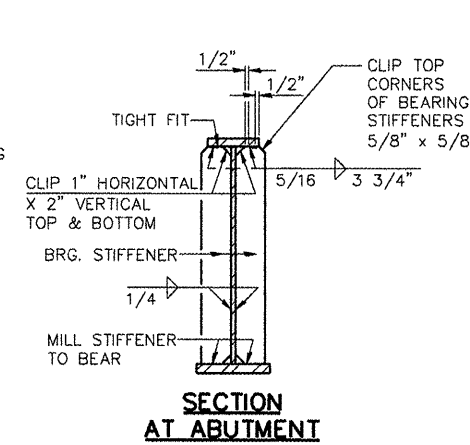
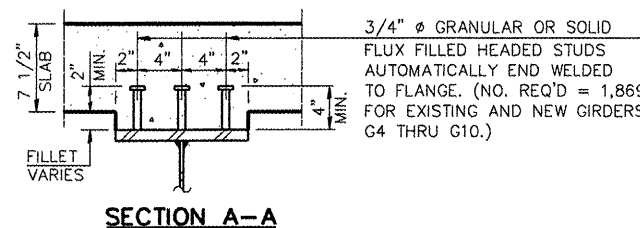
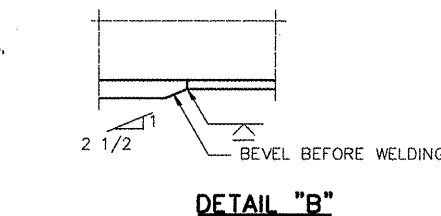
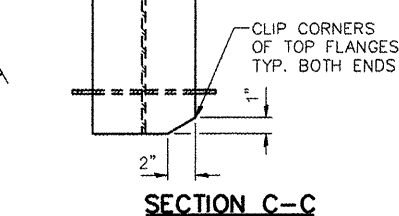
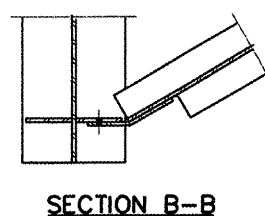
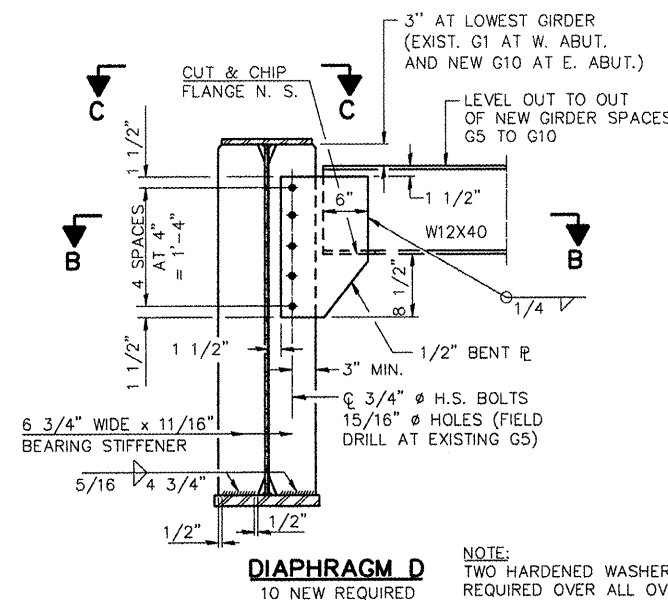
Ø 3/4" Ø H.S. BOLTS, 15/16" Ø HOLES IN GUSSET PLATES, AND CONNECTOR PLATES EXCEPT AT 8 LOCATIONS "A". USE 1 1/2" x 13/16" VERT. LONG SLOTTED HOLES IN CONNECTOR PLATES. (SIMILAR AT 8 LOCATIONS "B")

AT 8 LOCATIONS "A", THE BOLTS FOR THE SLOTTED HOLES SHALL ONLY BE FINGER-TIGHTENED PRIOR TO THE DECK SLAB POURING AND THEN BE FULLY TIGHTENED AFTER THE COMPLETION OF STAGE II POURING. (SIMILAR AT 8 LOCATIONS "B". SEE NOTES IN PLAN VIEW, THIS SHEET.)

5" x 3/8" x 34" CONNECTOR PLATE CLIP 1" HORIZ. x 2" VERT. TOP & BOTTOM

**DIAPHRAGM D1**  
20 NEW REQUIRED

NOTE:  
HARDENED WASHERS SHALL BE REQUIRED OVER ALL 15/16" Ø HOLES. 5/16" STRUCTURAL PLATE WASHERS SHALL BE REQUIRED OVER ALL 1 1/2" x 13/16" SLOTTED HOLES AT 8 LOCATIONS "A" AND 8 LOCATIONS "B".



REVISIONS	
NAME	DATE

ILLINOIS DEPARTMENT OF TRANSPORTATION  
**CAMP ST. OVER FARM CREEK DIVERSION CHANNEL GIRDER DETAILS**

SCALE: N.T.S.  
DATE: 12/22/2008

DRAWN BY: MGM  
CHECKED BY: P.J.L.