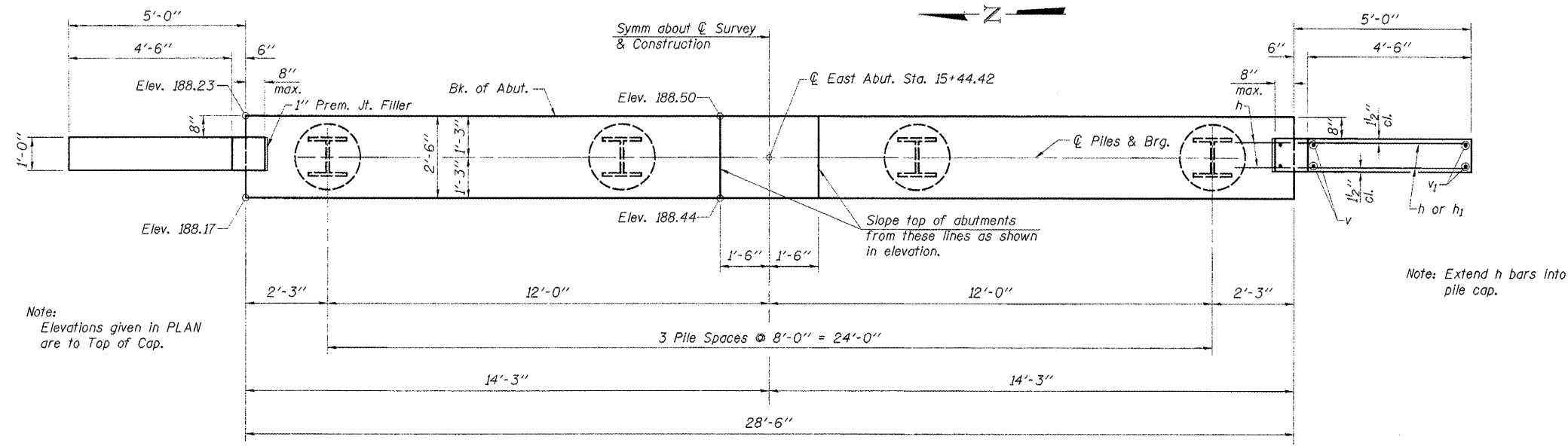


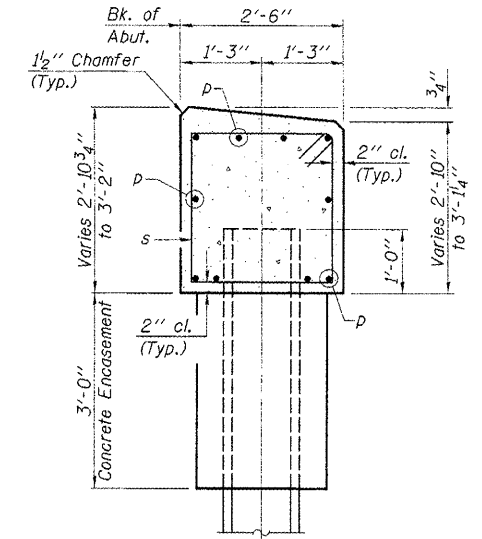
ROUTE NO.	SECTION	COUNTY	TOTAL SHEETS	SHEET NO.
T.R. 3		MARSHALL/BUREAU	14	8
ROAD DIST.	ILLINOIS	SARATOGA/MILO	CONTRACT NO. 89398	
*05-10116-00-BR 08-16114-00-BR				



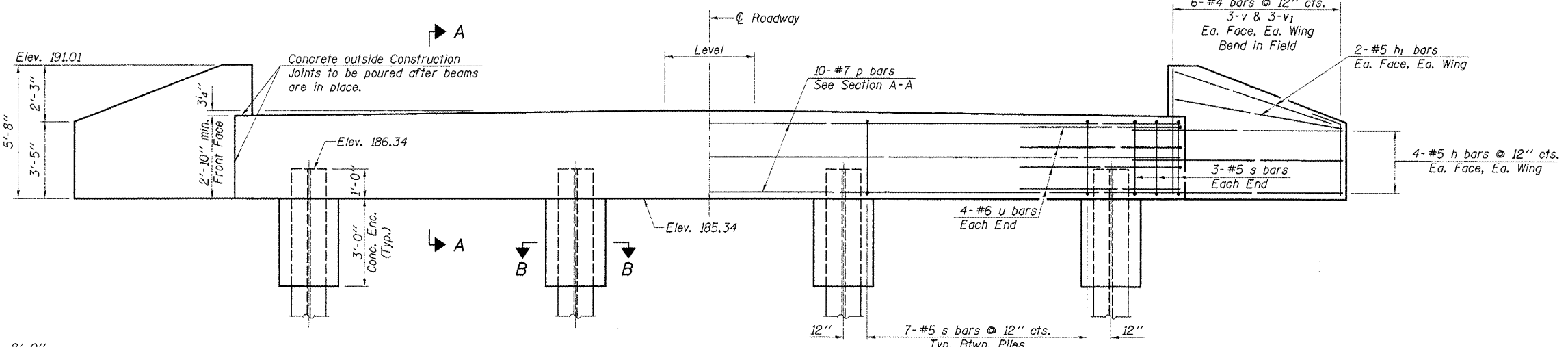
PLAN

Note: Elevations given in PLAN are to Top of Cap.

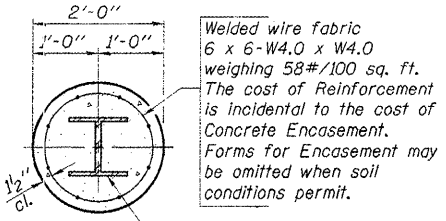
Note: Extend h bars into pile cap.



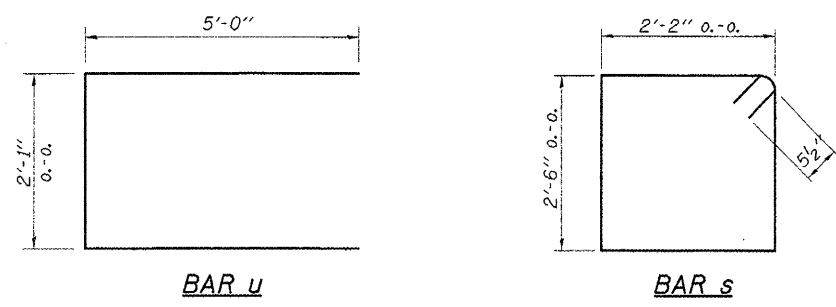
SECTION A-A
(Looking South)



ELEVATION
(Looking East)



PILE ENCASEMENT DETAIL



PILE DATA

Type..... Steel HP12x53
 No. Req'd. (E. Abut.)..... *4
 Nominal Required Bearing..... 360 Kips
 Allowable Resistance Available..... 120 Kips
 Est. Length..... 49 Feet/Pile

*Includes 1 Test Pile to be driven in a permanent location at the West Abutment. The test pile shall be driven to 110 percent of the Nominal Required Bearing indicated in the pile data information.

E. ABUTMENT
BILL OF MATERIAL

Bar	No.	Size	Length	Shape	
h	16	#5	6'-9"	—	
h1	8	#5	5'-3"	—	
p	10	#7	28'-2"	—	
s	27	#5	10'-3"	□	
u	8	#6	12'-1"	—	
v	12	#4	5'-4"	—	
v1	12	#4	4'-2"	—	
Concrete Structures				Cu. Yd.	9.7
Reinforcement Bars				Pound	1,240
Test Pile HP12x53				Each	1
Concrete Encasement				Cu. Yd.	1.4
Steel Piles HP12x53				Foot	147

See Sheet 9 for Pile Details.

DESIGNED	F.J.S.
CHECKED	J.A.M.
DRAWN	S.A.P.
CHECKED	J.A.M.

EAST ABUTMENT
 SARATOGA - MILO ROAD DISTRICTS
 SECTIONS 05-10116-00-BR & 08-16114-00-BR
 MARSHALL - BUREAU COUNTIES
 STATION 15+05