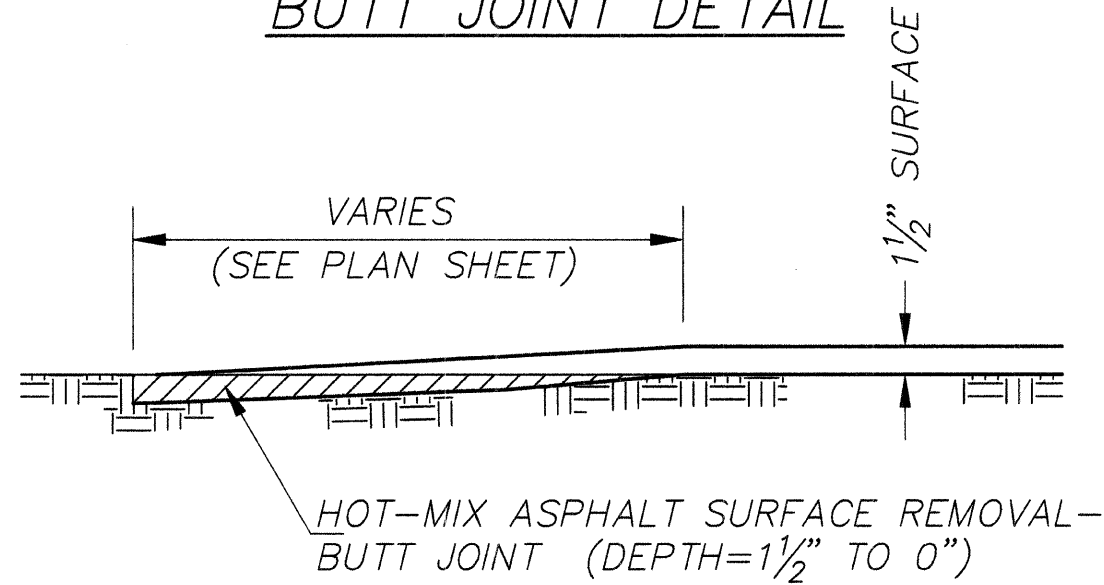


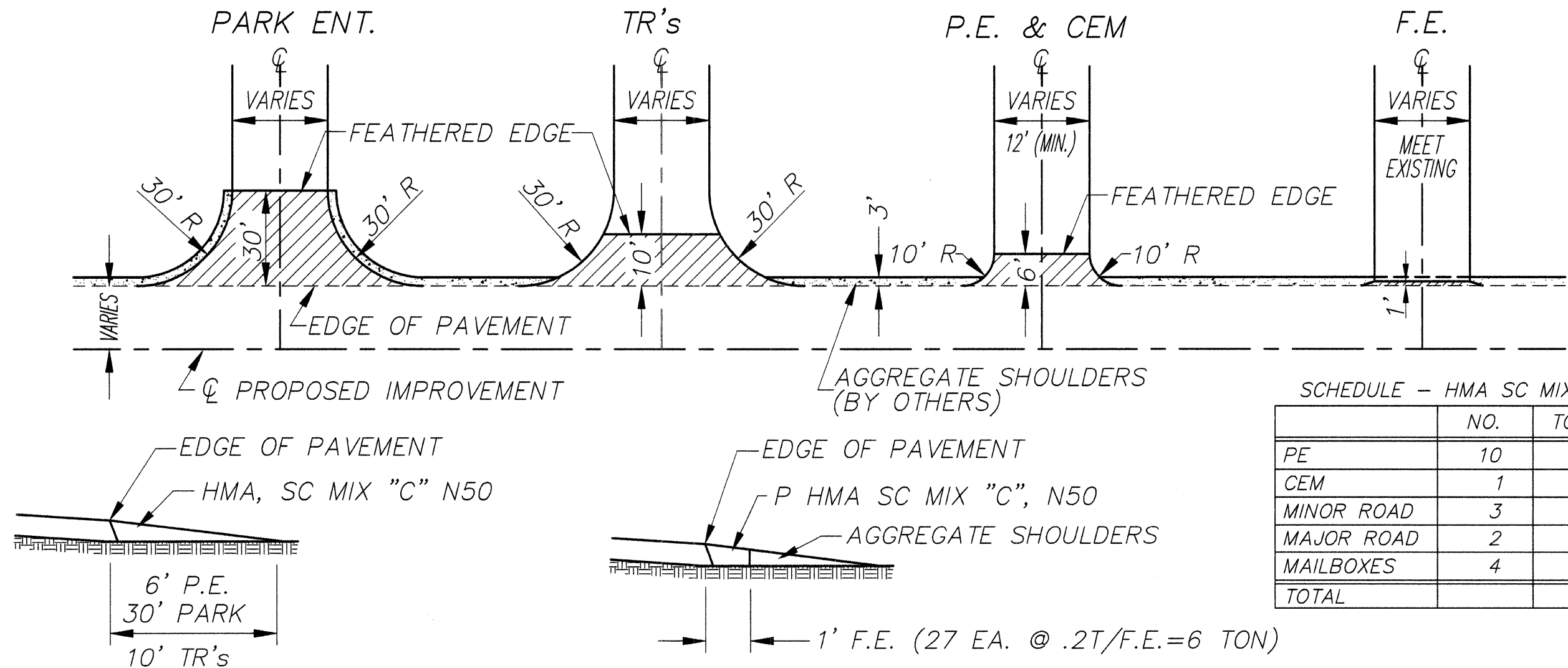
| COUNTY                       | ROUTE   | SECTION        | TOTAL SHEETS | SHEET NO. |
|------------------------------|---------|----------------|--------------|-----------|
| ADAMS                        | FAS 432 | 08-00206-00-RS | 11           | 11        |
| BUTT JOINT DETAIL            |         |                |              |           |
| SIDE ROAD & ENTRANCE DETAILS |         |                |              |           |
| PROJECT NO. RS-432(122)      |         |                |              |           |

### BUTT JOINT DETAIL



### INTERSECTION DETAILS

### ENTRANCE DETAILS



SCHEDULE - HMA SC MIX "C" N50

|            | NO. | TONS/ | TONS |
|------------|-----|-------|------|
| PE         | 10  | 2     | 20   |
| CEM        | 1   | 2     | 2    |
| MINOR ROAD | 3   | 9     | 27   |
| MAJOR ROAD | 2   | 15    | 30   |
| MAILBOXES  | 4   | 3     | 12   |
| TOTAL      |     |       | 91   |

1' F.E. (27 EA. @ .2T/F.E.=6 TON)