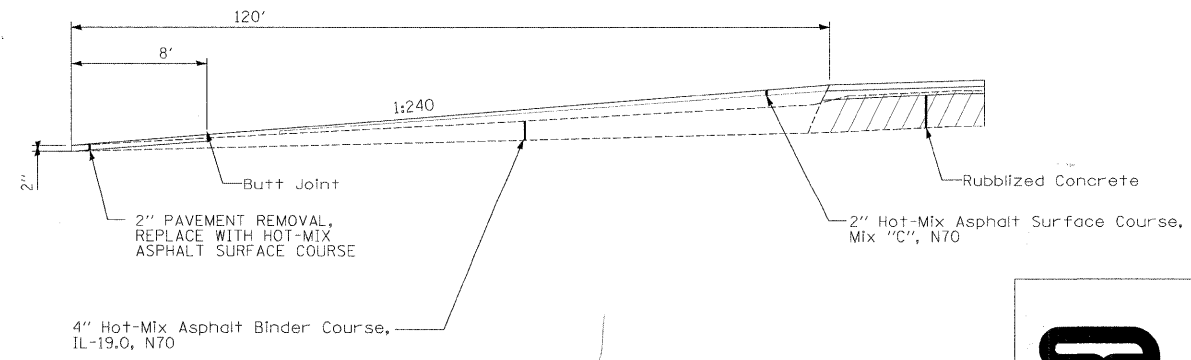
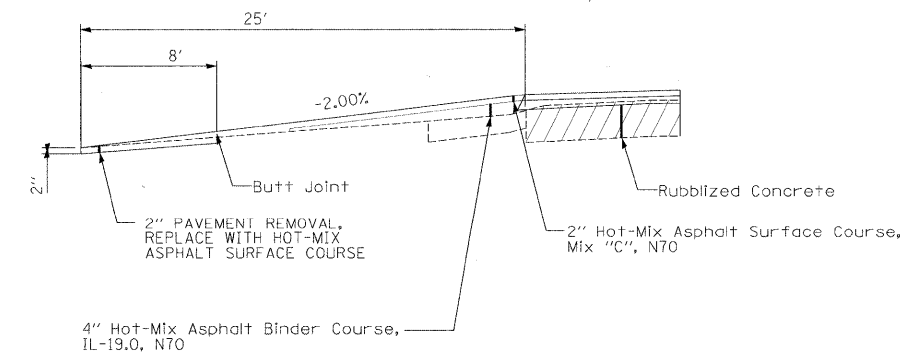
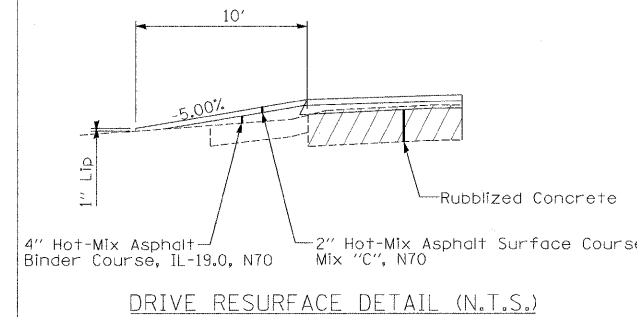
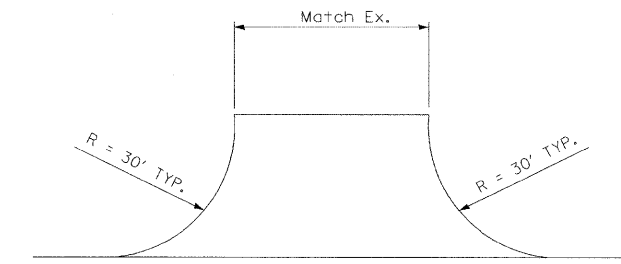
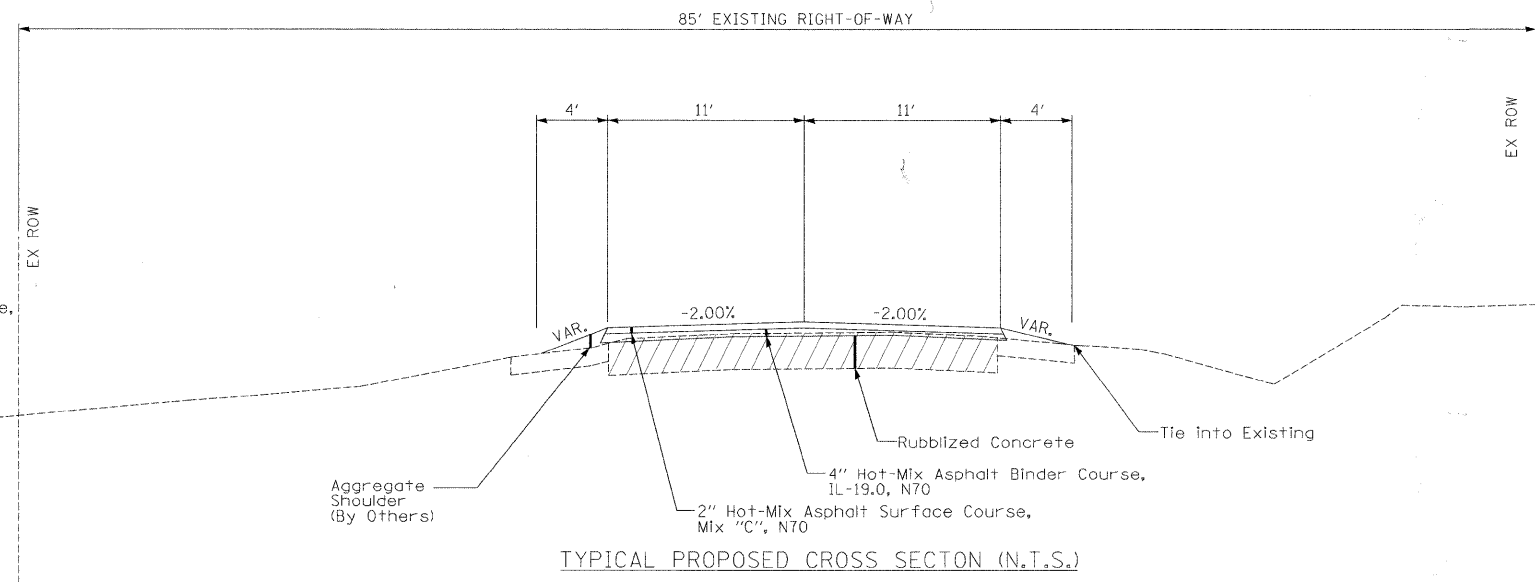
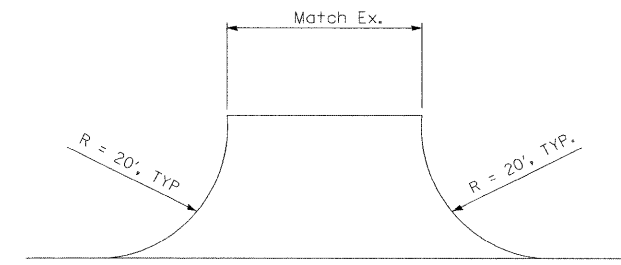
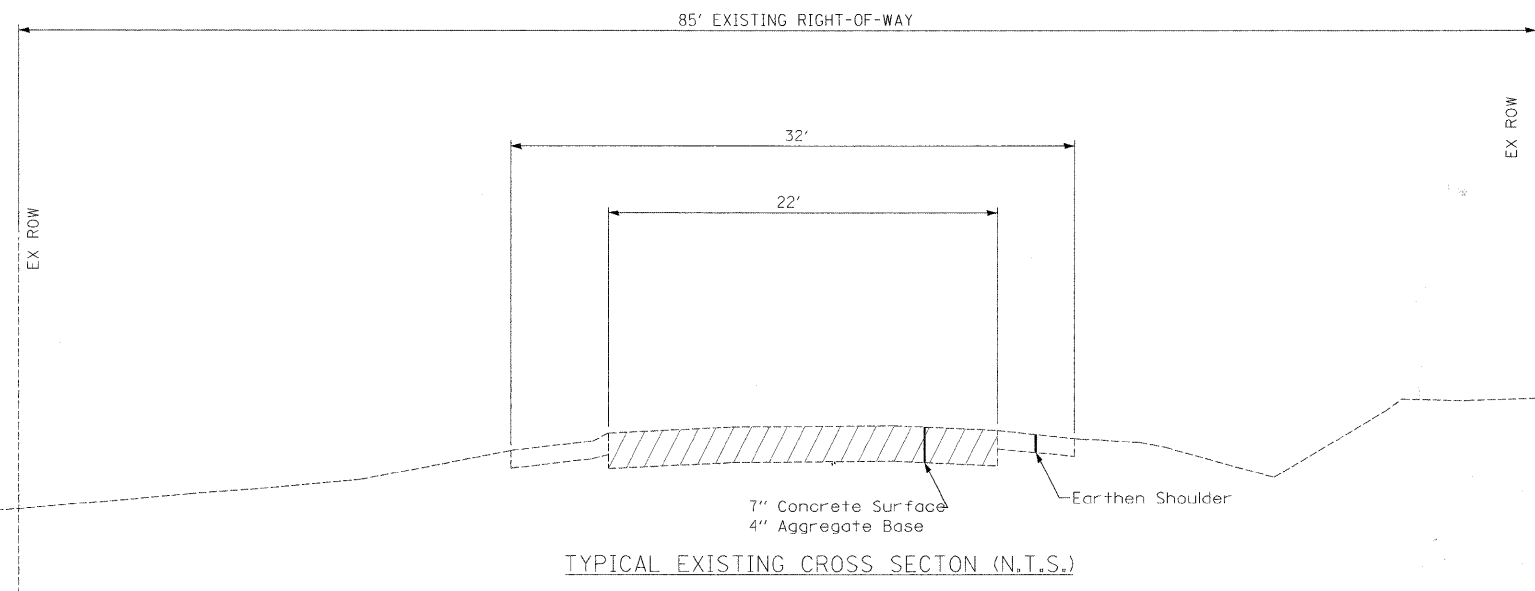


F.A.S. RTE.	SECTION	COUNTY	TOTAL SHEETS	SHEET NO.
705	05-00114-00-RS	RICHLAND	19	3
STA. 1+77.72		TO STA. 213+54.25		
FED. ROAD DIST. NO.	ILLINOIS	FED. AID PROJECT		

CONTRACT NO. 95563



REVISIONS	
NAME	DATE

ILLINOIS DEPARTMENT OF TRANSPORTATION

FAS ROUTE 705
C.R. 1400 E (ST. MARIE ROAD)

TYPICAL CROSS SECTIONS

SCALE: VERT. DRAWN BY ACB
 HORIZ. CHECKED BY WZH
 DATE 11/26/2008

TIME: 11:30:08 AM
 DATE: 11/26/2008
 FILENAME: s:\con\4200-4298\4277\001\micro\plan\Str_Typical.dgn