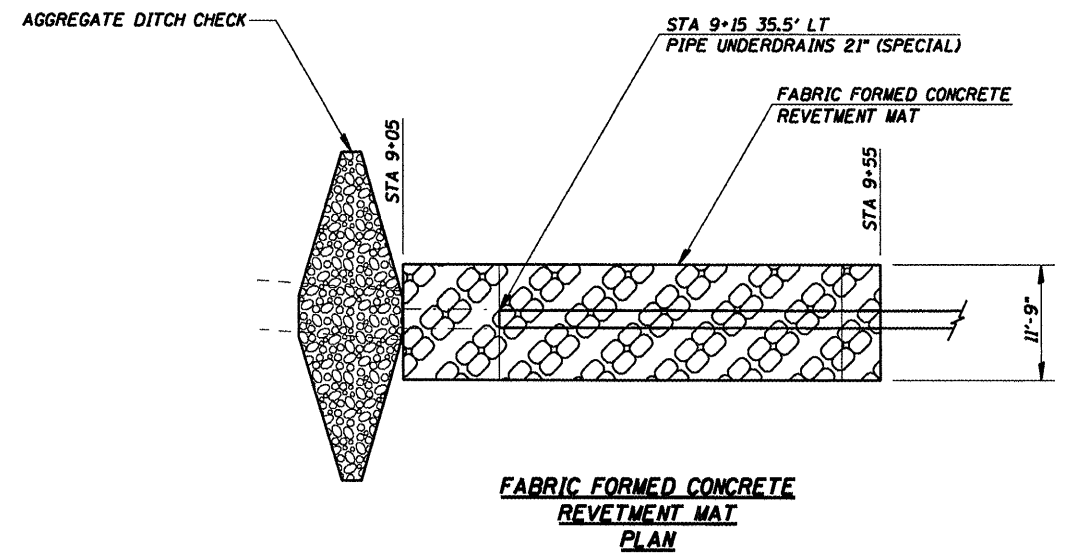
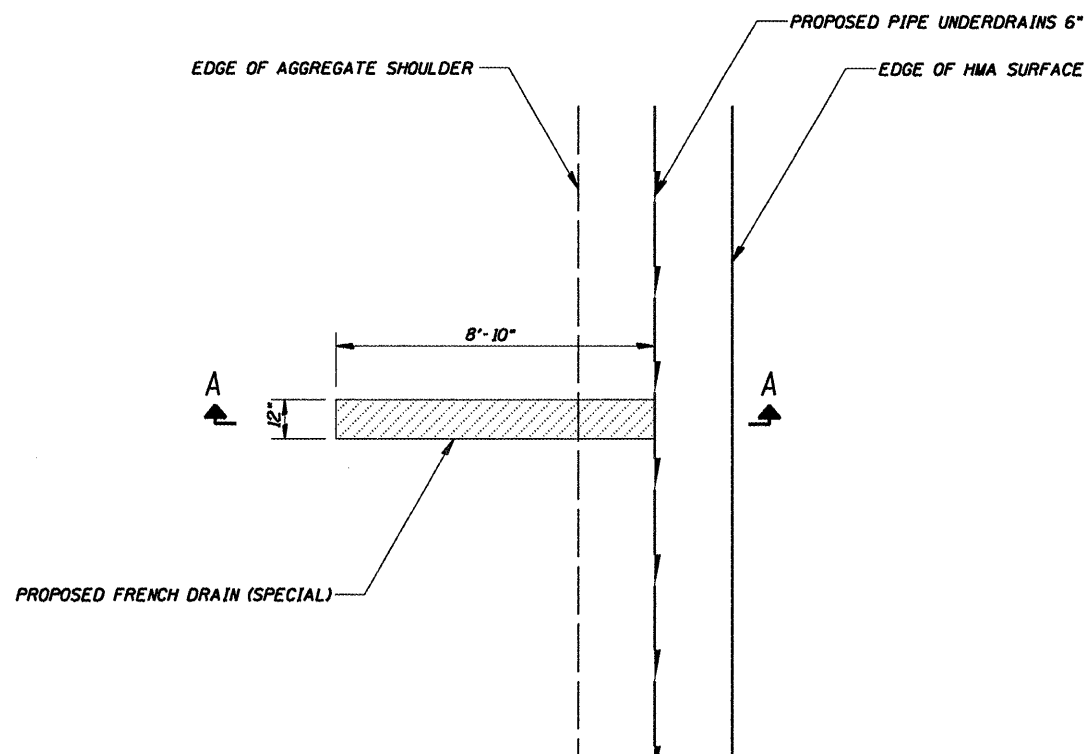


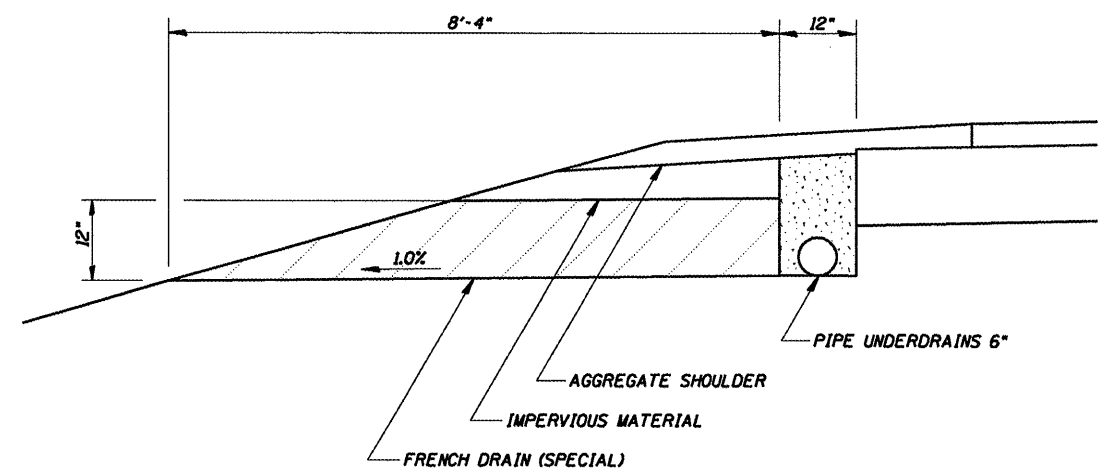
**EARTH DITCH CHECK PLAN**



**FABRIC FORMED CONCRETE REVETMENT MAT PLAN**



**FRENCH DRAIN PLAN**



**FRENCH DRAIN PLAN**

**NOTES**

1. COST FOR EARTH DITCH CHECK SHALL BE INCLUDED IN THE COST FOR EARTH EXCAVATION.
2. FABRIC FORMED CONCRETE REVETMENT MAT SHALL BE CONSTRUCTED AS DETAILED ON STANDARD 285001.
3. FRENCH DRAINS (SPECIAL) SHALL BE CONSTRUCTED WITH CA 14 WASHED GRAVEL. GEOTECHNICAL FABRIC FOR FRENCH DRAINS WILL NOT BE REQUIRED.
4. PIPE UNDERDRAINS 6" SHALL BE CONSTRUCTED AS DETAILED ON STANDARD 601001. BACKFILL SHALL BE CA 14 WASHED GRAVEL AND SHALL BE INCLUDED IN THE COST FOR PIPE UNDERDRAINS 6".
5. AGGREGATE DITCH CHECK SHALL BE CONSTRUCTED AS DETAILED ON STANDARD 280001. MATERIAL SHALL BE RR5.

**CUMMINS ENGINEERING CORPORATION**

JOB = 2096.1	DESIGNED - NAK	REVISED -
FILE NAME = detail.dgn	DRAWN - AJH	REVISED -
PLOT SCALE = 20,0000 Ft / IN.	CHECKED - NAK	REVISED -
PLOT DATE = 12/22/2008	DATE - 10/08/2008	REVISED -

**MOULTRIE COUNTY  
BETHANY FINDLAY RD. IMPROVEMENTS**

**DRAINAGE DETAILS**

SCALE:	SHEET NO.	OF	SHEETS	STA.	TO STA.
--------	-----------	----	--------	------	---------

F.A.S. RTE.	SECTION	COUNTY	TOTAL SHEETS	SHEET NO.
650	02-00062-01-PV	MOULTRIE	44	16
CH 13, BETHANY FINDLAY RD.		CONTRACT NO. 95568		
FED. ROAD DIST. NO. [ILLINOIS] FED. AID PROJECT				