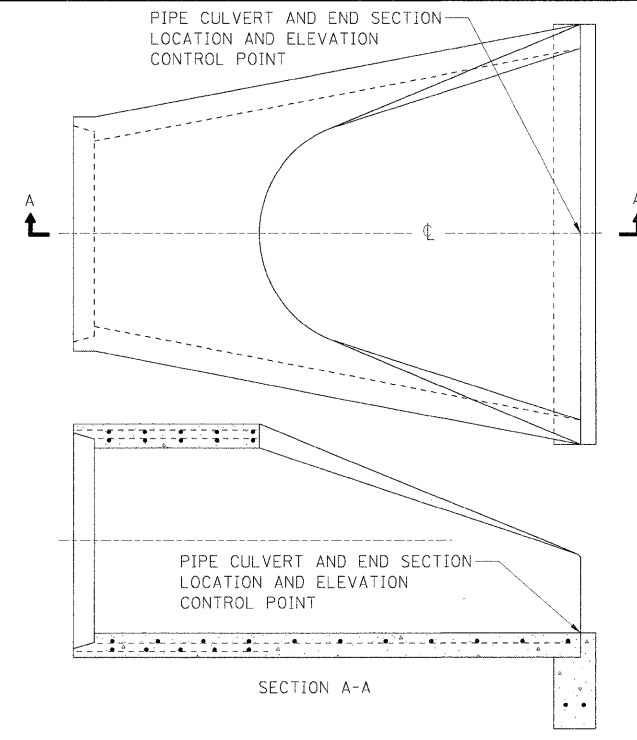
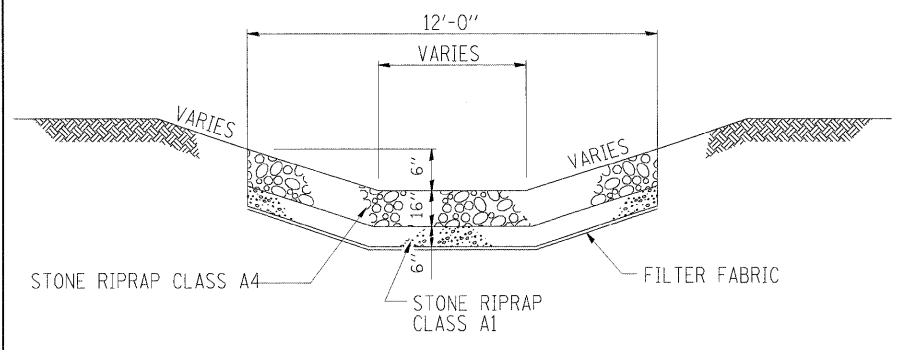
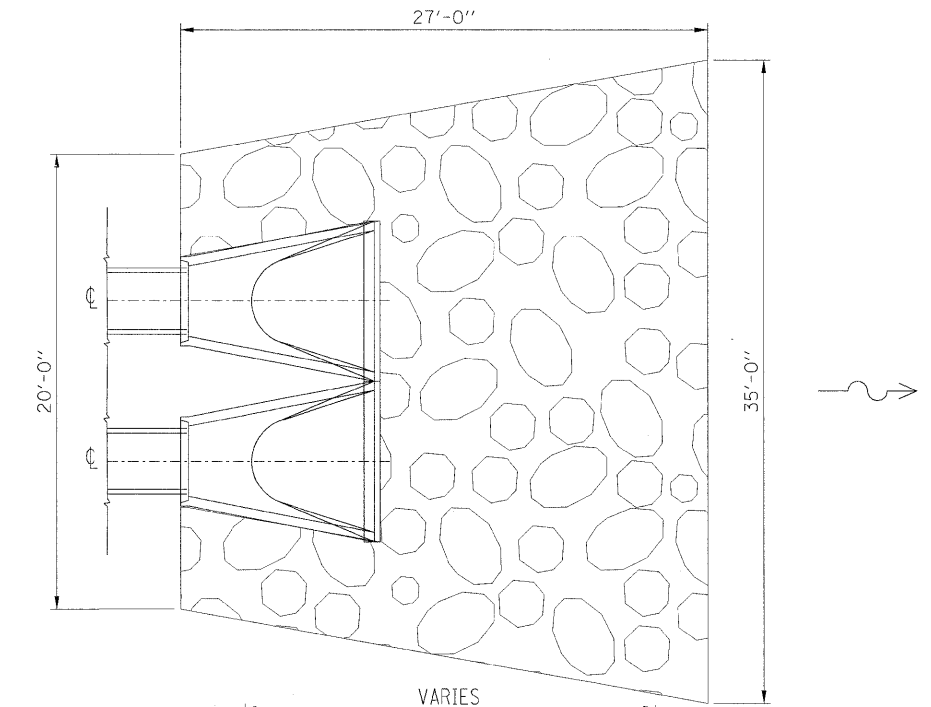
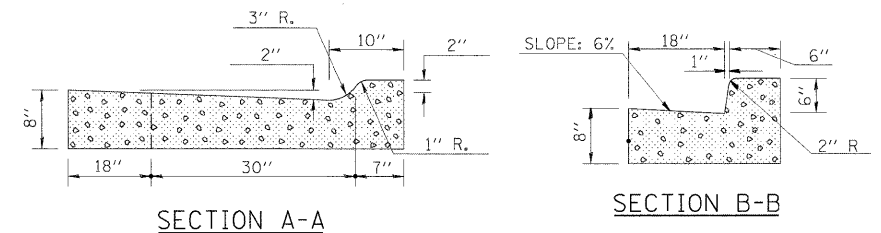
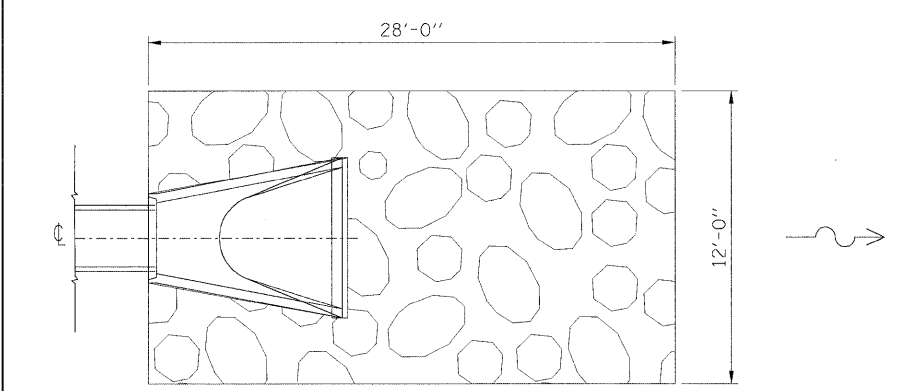


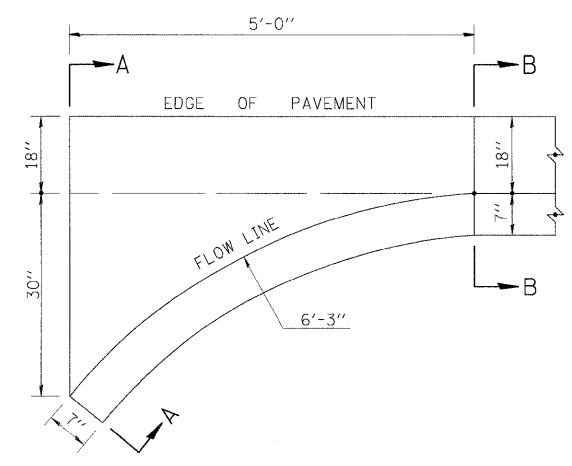
INLET BOX AND PIPE DRAIN DETAIL



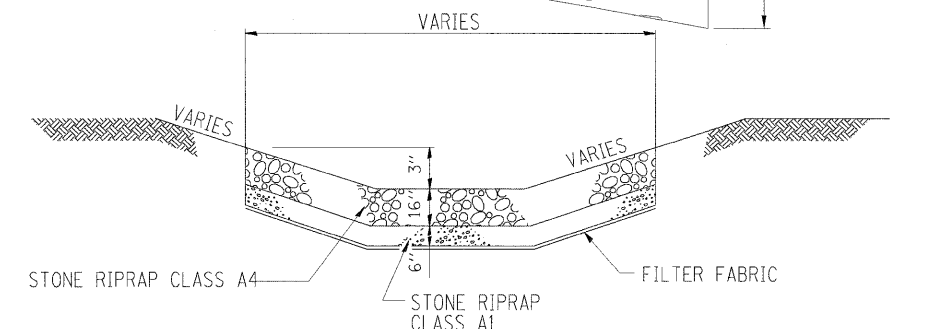
CULVERT CONTROL LOCATION DETAIL



ANDREWS DRIVE STATION 125+77 RT



CLASS SI CONCRETE (OUTLET), SPECIAL



ANDREWS DRIVE STATION 107+20 RT

| | | |
|----------------------|---------------|-----------|
| USER NAME = Pop00036 | DESIGNED - MH | REVISED - |
| DRAWN - DJP | REVISED - | |
| CHECKED - MH | REVISED - | |
| DATE - | REVISED - | |

STATE OF ILLINOIS
 DEPARTMENT OF TRANSPORTATION

| | | | | |
|------------------|-----------|-----------|------|---------|
| DRAINAGE DETAILS | | | | |
| SCALE: 50 | SHEET NO. | OF SHEETS | STA. | TO STA. |

| | | | | |
|---|----------------|--------|--------------|-----------|
| F.A. RTE. | SECTION | COUNTY | TOTAL SHEETS | SHEET NO. |
| | 99-00036-00-BR | BOND | 99 | 30 |
| CONTRACT NO. 97366 | | | | |
| FED. ROAD DIST. NO. ILLINOIS FED. AID PROJECT | | | | |