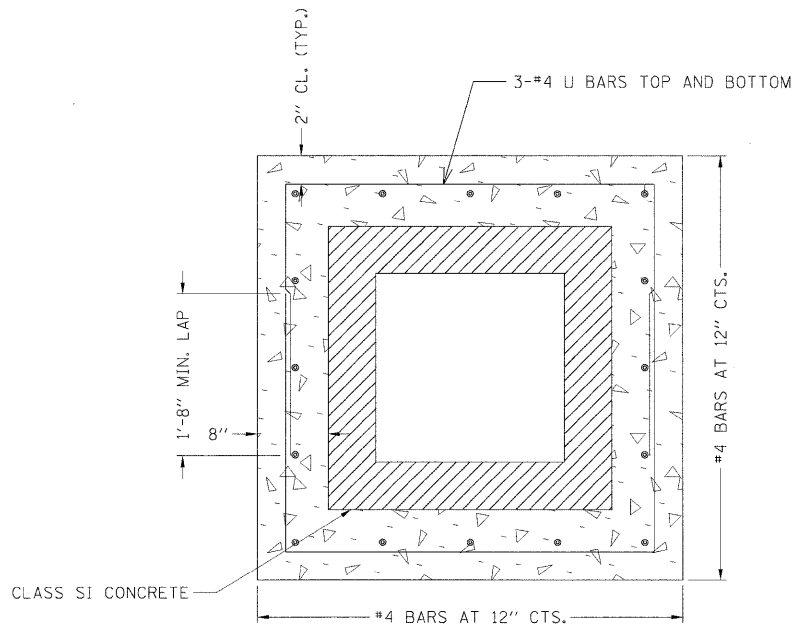
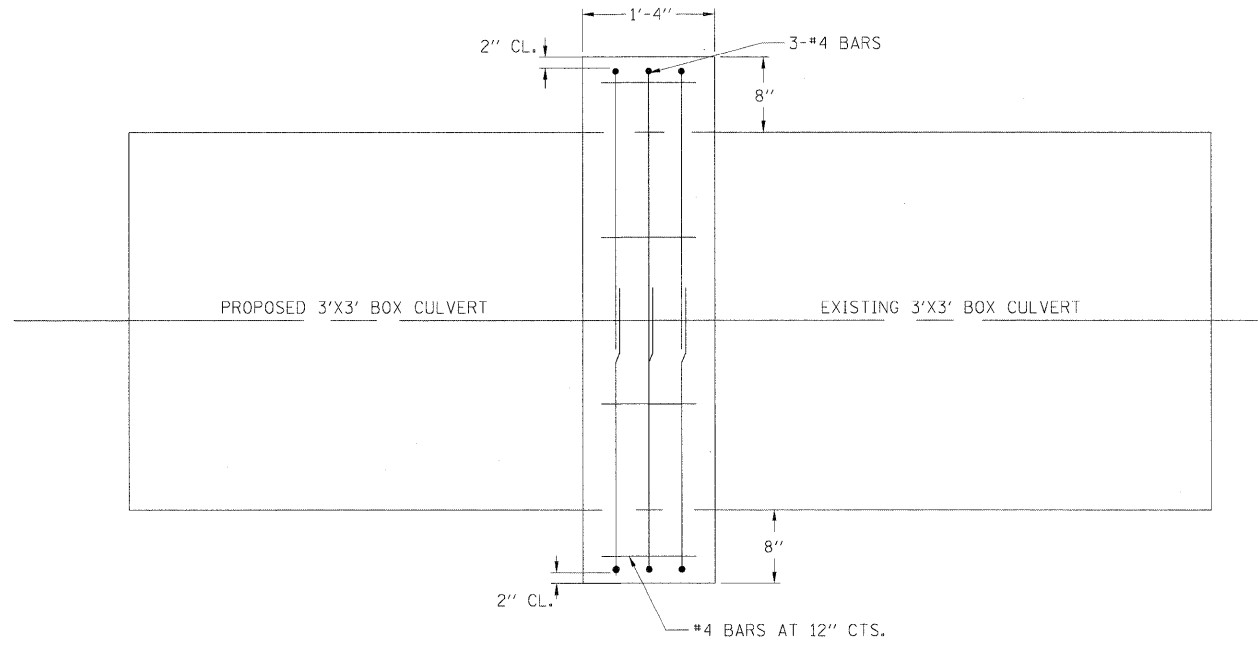


SPAN X RISE (FT.)	T (IN.)	A (FT.-IN.)	B (FT.-IN.)	C (IN.)	E (FT.-IN.)	F (FT.-IN.)	G (FT.-IN.)	H (FT.-IN.)	SLOPE
3' X 3'	4"	3'-8"	3'-8"	4"	2'-0"	4'-0"	1'-8"	1'-4"	3:1

BOX CULVERT END SECTION DETAIL



FRONT VIEW



SIDE VIEW

CONCRETE COLLAR FOR BOX CULVERT CONNECTION

FILE NAME = I:\04\jobs\9452012\CADD\Road\Sheet\10-Sheet\10-507-DBA-BET2.dgn

USER NAME = Pop00036	DESIGNED - MH	REVISED -
	DRAWN - DJP	REVISED -
PLOT SCALE = 1:10000	CHECKED - MH	REVISED -
PLOT DATE = 12/23/2008	DATE -	REVISED -

**STATE OF ILLINOIS  
 DEPARTMENT OF TRANSPORTATION**

**DRAINAGE DETAILS**

SCALE: 50 SHEET NO. OF SHEETS STA. TO STA.

F.A. RTE.	SECTION	COUNTY	TOTAL SHEETS	SHEET NO.
	99-00036-00-BR	BOND	99	31
CONTRACT NO. 97366				
FED. ROAD DIST. NO. ILLINOIS FED. AID PROJECT				