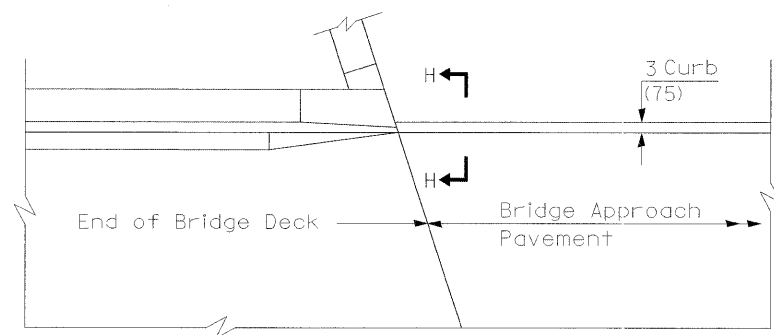
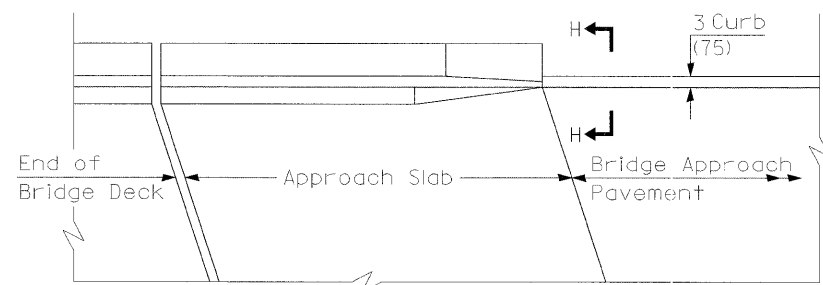


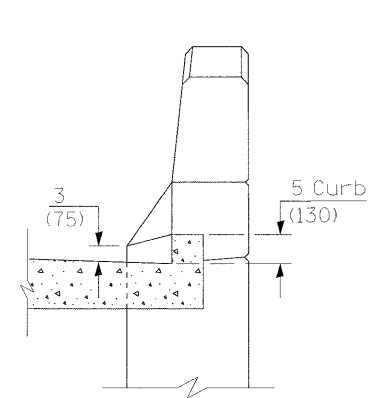
**PARAPET TO CURB TRANSITION
 PILE BENT ABUTMENT**



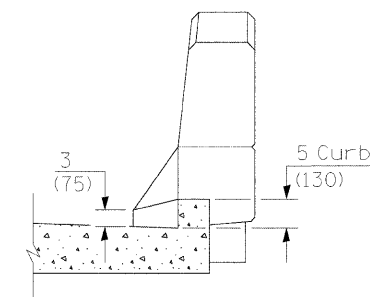
**PARAPET TO CURB TRANSITION
 INTEGRAL ABUTMENT**



**PARAPET TO CURB TRANSITION
 VAULTED ABUTMENT**



SECTION I - I



SECTION H - H

USER NAME = Pop00036	DESIGNED - MH	REVISED -
	DRAWN - DJP	REVISED -
PLOT SCALE = 1:80000 1/8" = 1'	CHECKED - MH	REVISED -
PLOT DATE = 12\23\2008	DATE -	REVISED -

**STATE OF ILLINOIS
 DEPARTMENT OF TRANSPORTATION**

BRIDGE APPROACH PAVEMENT DETAILS

SCALE: 50 SHEET NO. OF SHEETS STA. TO STA.

F.A. RTE.	SECTION	COUNTY	TOTAL SHEETS	SHEET NO.
	99-00036-00-BR	BOND	99	37
CONTRACT NO. 97366				
FED. ROAD DIST. NO. ILLINOIS FED. AID PROJECT				