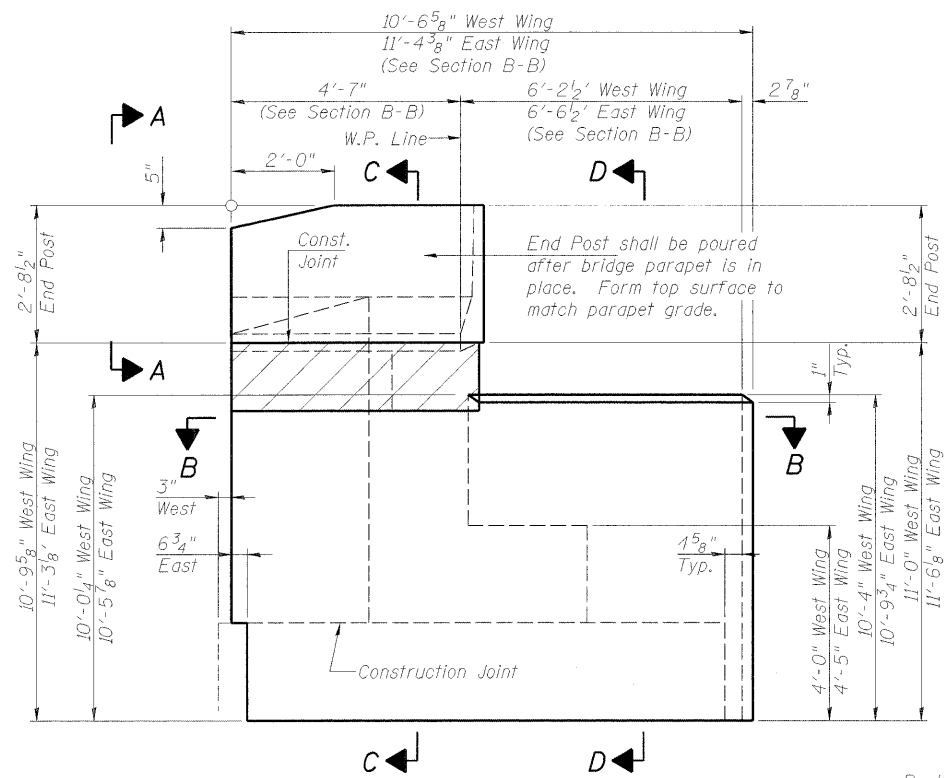


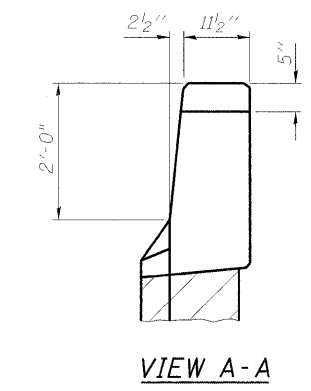
STATE OF ILLINOIS
DEPARTMENT OF TRANSPORTATION

ROUTE NO.	SECTION	COUNTY	TOTAL SHEETS	SHEET NO.
***	BOND	99	56	30 SHEETS
FED. ROAD DIST. NO. 7		ILLINOIS	FED. AID PROJECT	

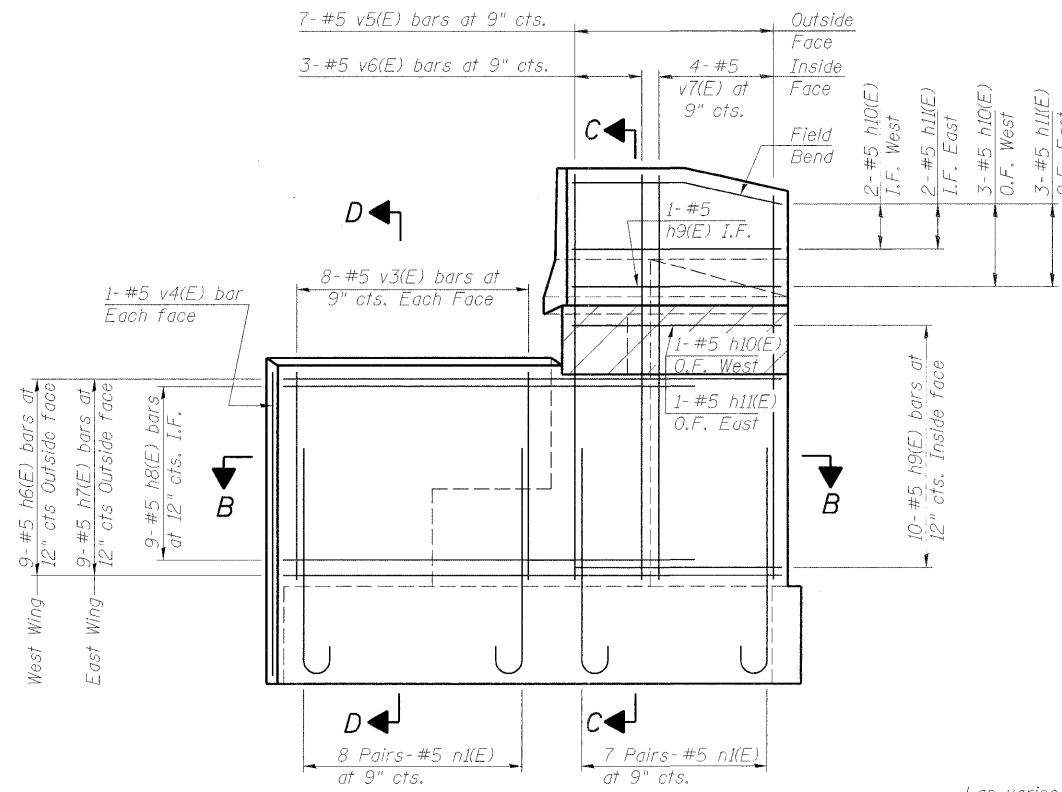
Contract #97366 ***99-00036-00-BR



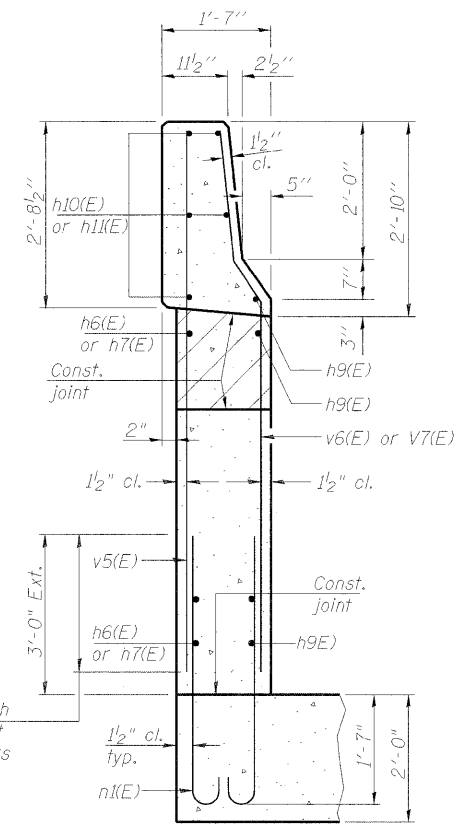
WING WALL ELEVATION
Showing Dimensions



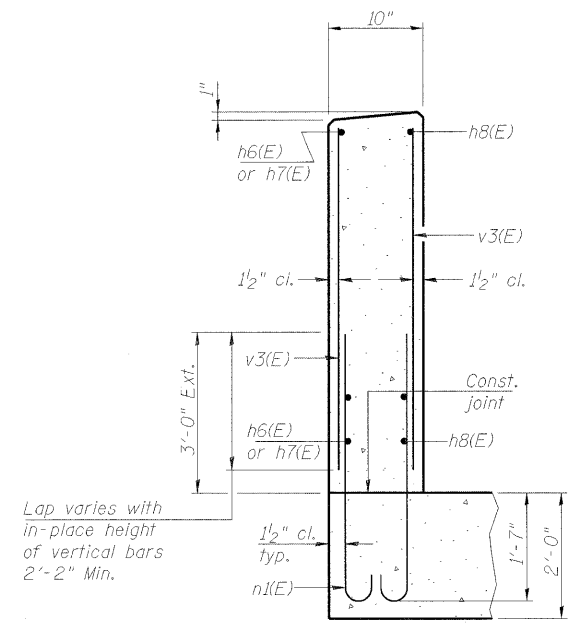
VIEW A-A



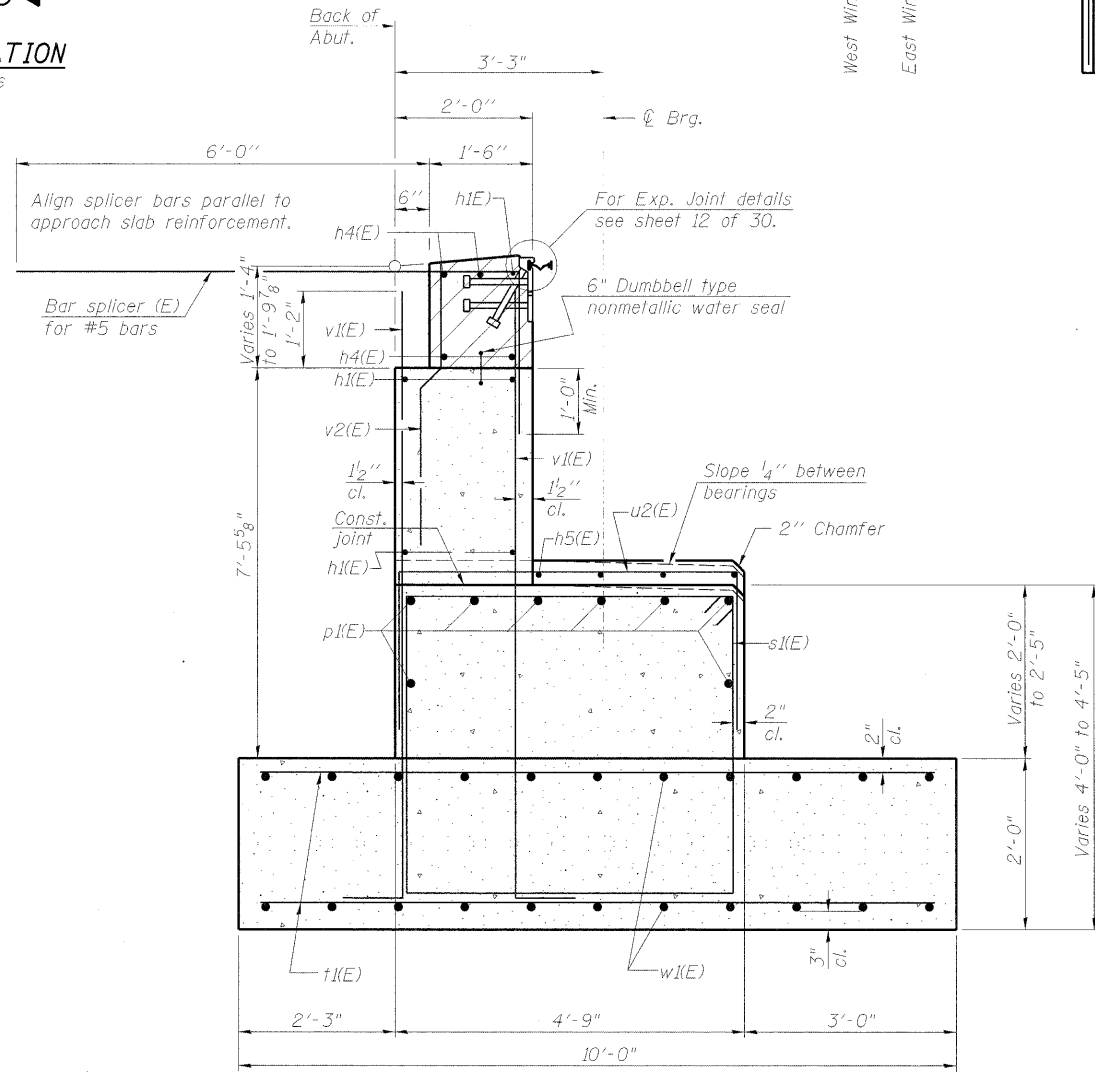
WING WALL ELEVATION
Showing Reinforcement



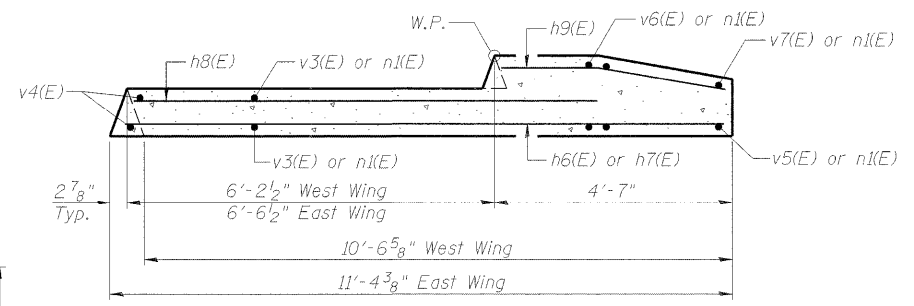
SECTION C-C



SECTION D-D



SEC. THRU ABUT.



SECTION B-B

Notes:
Hatched area to be poured after superstructure false work has been removed. Quantity of concrete included with Concrete Superstructure.
Space reinforcement in cap to miss anchor bolts.
Pour steps monolithically with cap.
Quantity of concrete in end post included with Concrete Superstructure on sheet 10 of 30.

SOUTH ABUTMENT DETAILS
ANDREWS DRIVE over
U.S. ROUTE 40 ; CSX RR and IL. WESTERN RR
SFC. 99-00036-00-BR
STR. NO. 003-6000
CITY OF GREENVILLE
BOND COUNTY
STATION 117+73.00
PROFESSIONAL DESIGN FIRM LICENSE #184-001084
© Copyright Hanson Professional Services Inc. 2008
JOB NO. 04S2012
DATE 12/10/08

LAYOUT: MMW 03/07/08
DRAWN: RGD 03/07/08
REVIEWED: MMW 03/07/08
12/23/2008
R:\04\Jobs\0452012\CADD\Struct\Sheet\South Abutment Details.dgn