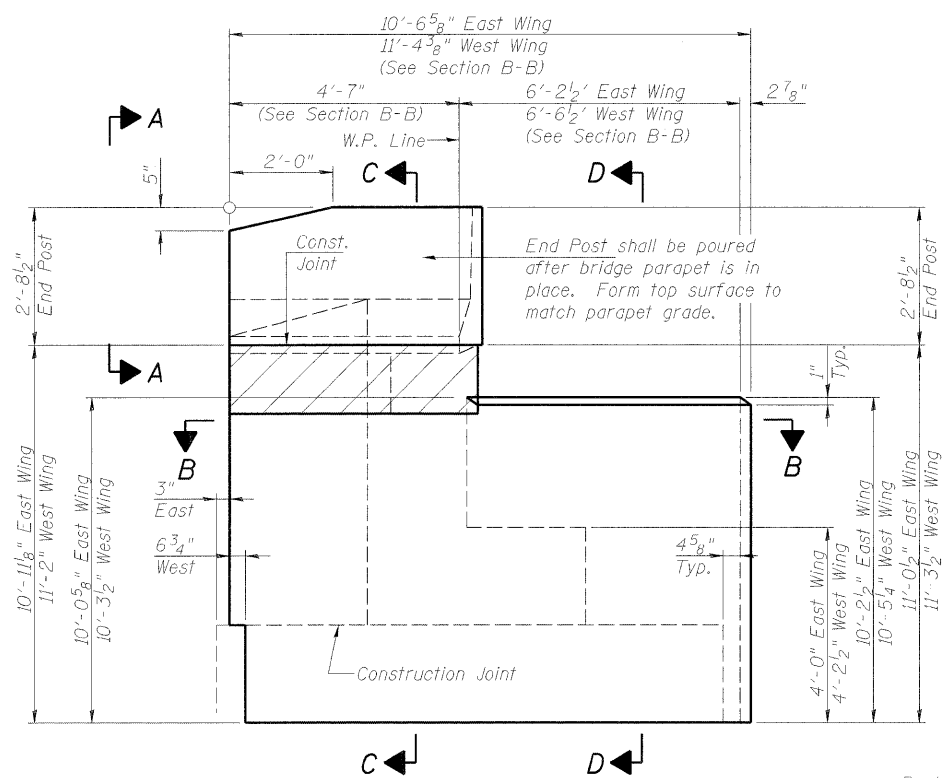


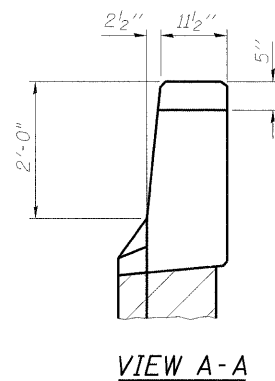
STATE OF ILLINOIS  
DEPARTMENT OF TRANSPORTATION

ROUTE NO.	SECTION	COUNTY	TOTAL SHEETS	SHEET NO.	SHEET NO. 20 30 SHEETS
***	***	BOND	99	58	
FED. ROAD DIST. NO. 7		ILLINOIS	FED. AID PROJECT-		

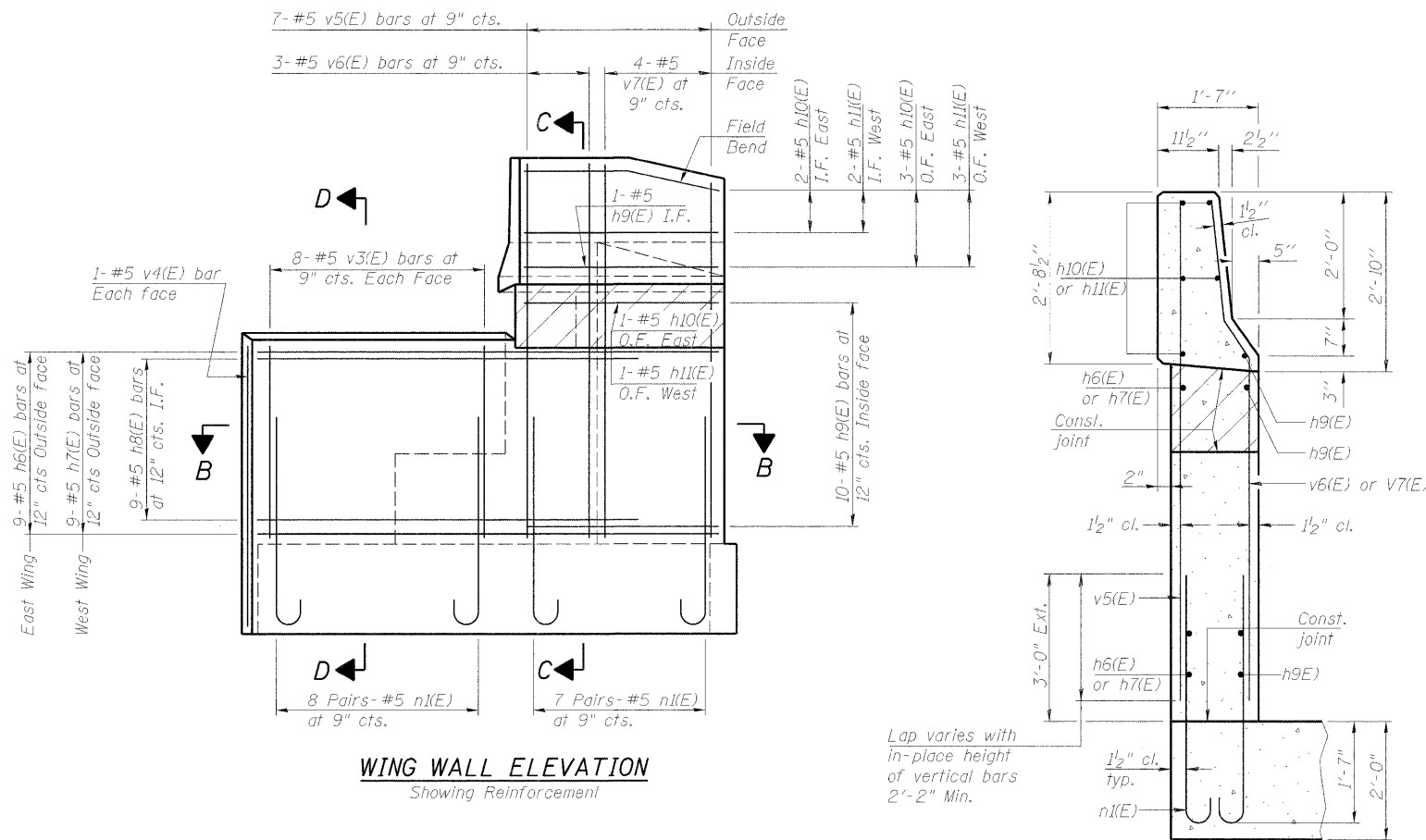
Contract #91366 \*\*\*99-00036-00-BR



**WING WALL ELEVATION**  
Showing Dimensions

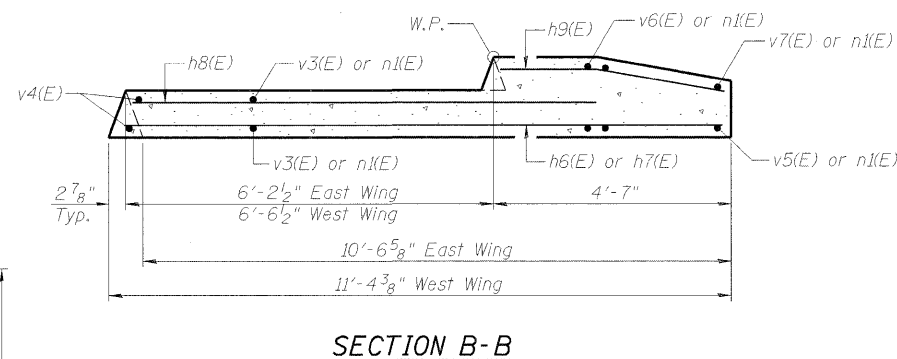


**VIEW A-A**



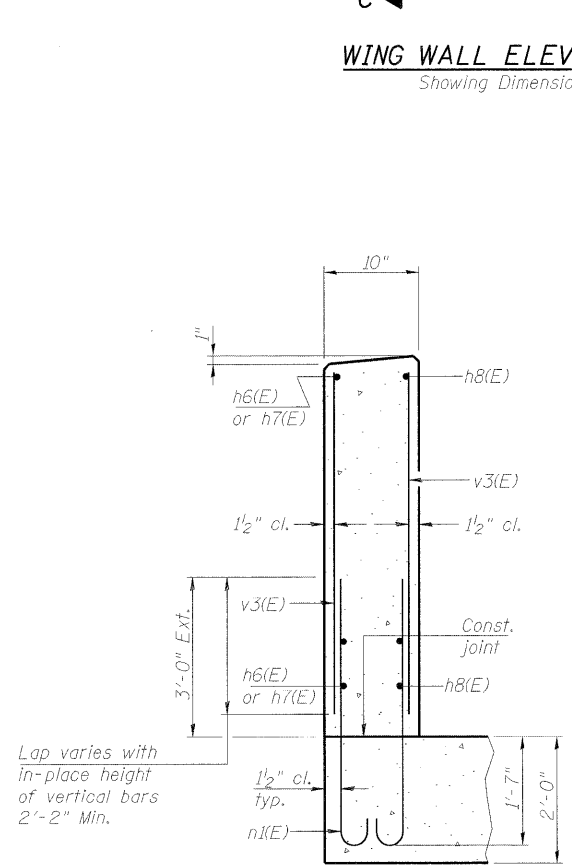
**WING WALL ELEVATION**  
Showing Reinforcement

**SECTION C-C**

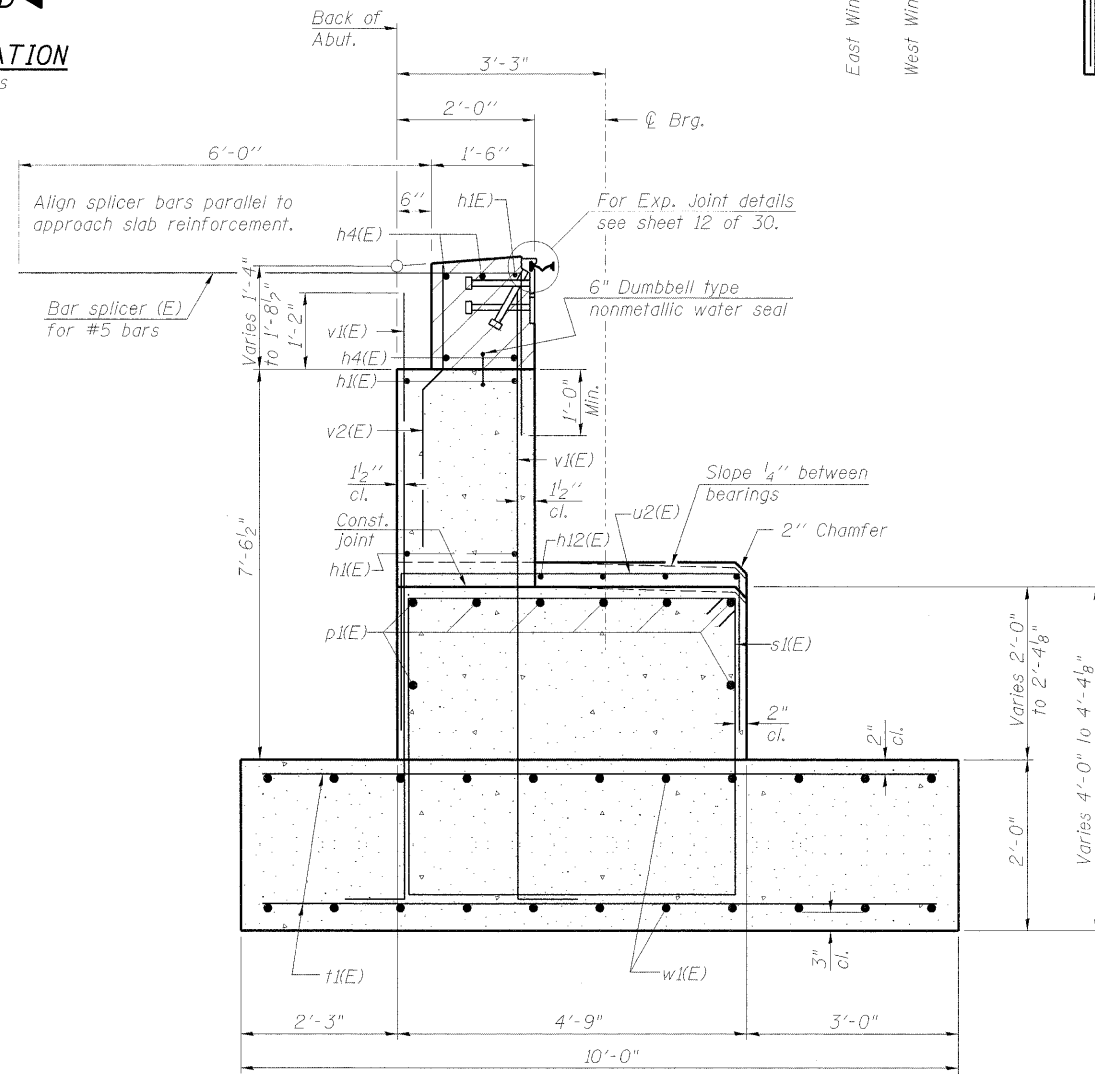


**SECTION B-B**

Notes:  
Hatched area to be poured after superstructure false work has been removed. Quantity of concrete included with Concrete Superstructure.  
Space reinforcement in cap to miss anchor bolts.  
Pour steps monolithically with cap.  
Quantity of concrete in end post included with Concrete Superstructure on sheet 10 of 30.



**SECTION D-D**



**SEC. THRU ABUT.**

NORTH ABUTMENT DETAILS  
ANDREWS DRIVE over  
U.S. ROUTE 40 : CSX RR and IL. WESTERN RR  
SEC. 99-00036-00-BR  
STR. NO. 003-6000  
CITY OF GREENVILLE  
BOND COUNTY  
STATION 117+73.00  
PROFESSIONAL DESIGN FIRM LICENSE #184-001084



DATE  
12/10/08

LAYOUT 05/07/08  
 DRAWN 05/07/08  
 REVIEWED 05/07/08  
 12/23/2008  
 H:\04\1045\0452012\CADD\Struct\Sheet\North Abutment Details.dgn