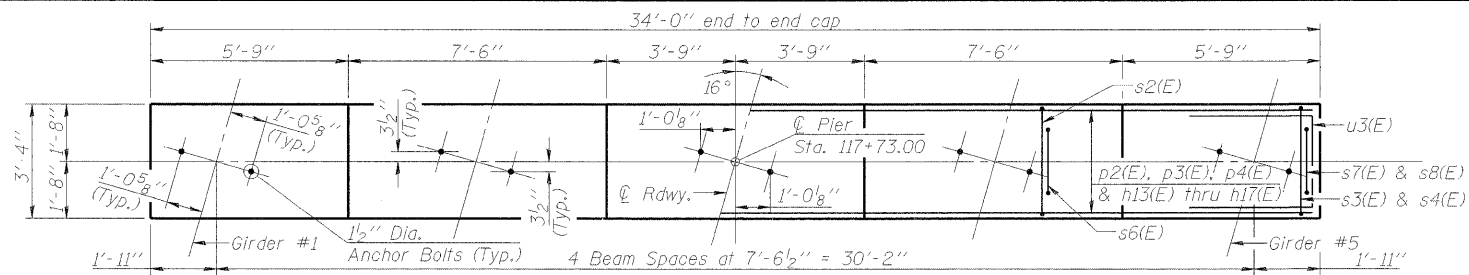
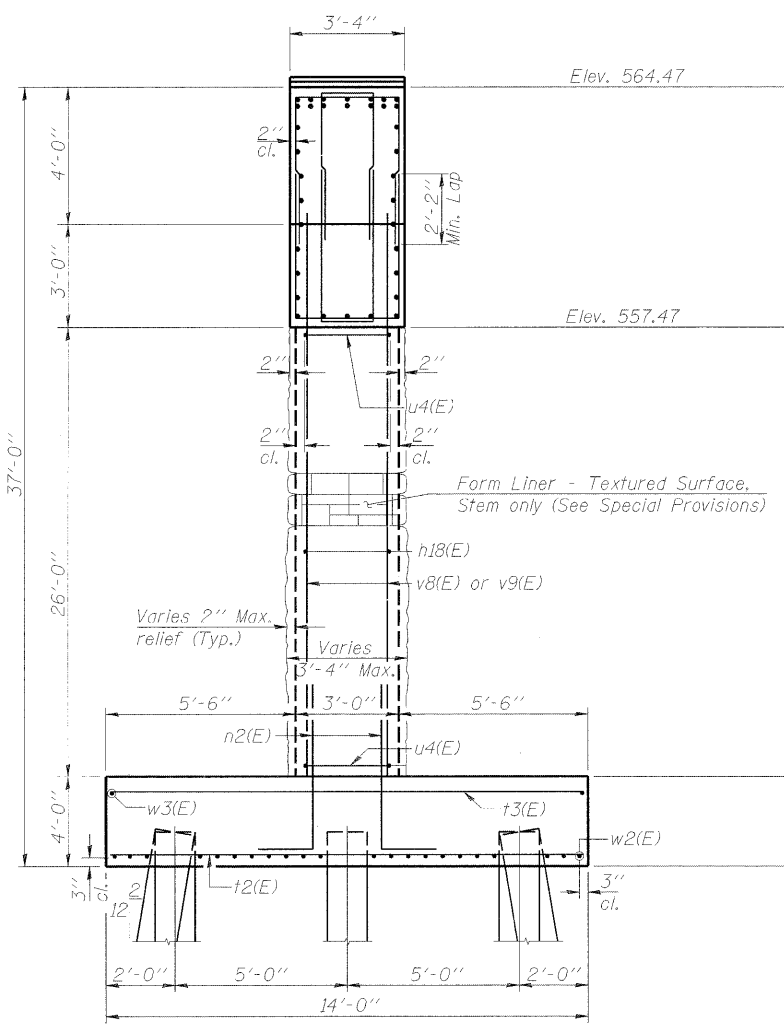


Notes:
 Space reinforcement in cap to miss anchor bolts.
 Pour steps monolithically with cap.
 For details of piles, See Sheet 27 of 30.
 For Bill of Material and Section C-C & D-D, See Sheet 22 of 30.

B↑ Indicates Battered Pile, and arrow indicates direction.
 Battered Piles shall be 2" Horizontal to 12" Vertical.



TOP PLAN



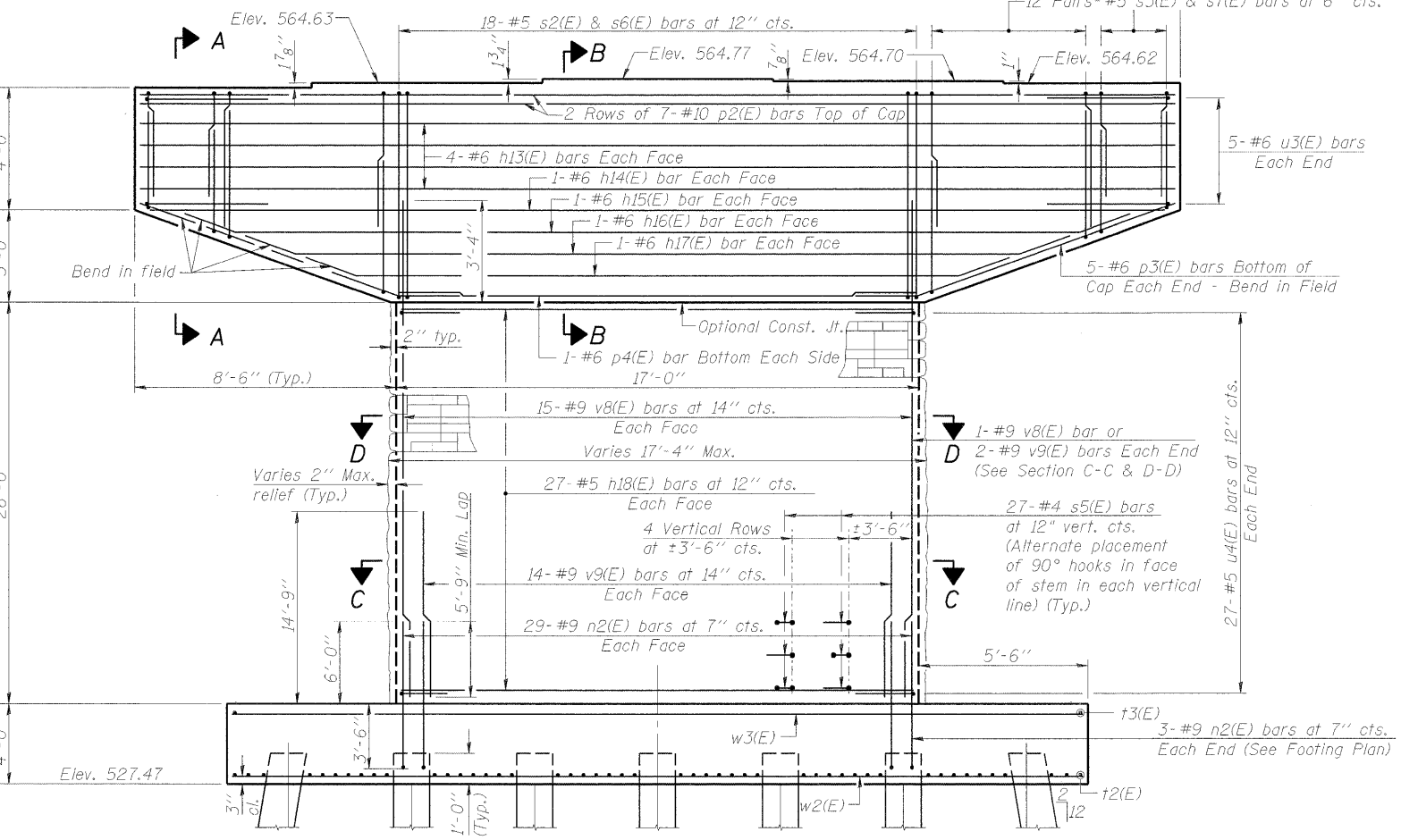
END VIEW

MIN. BAR LAPS

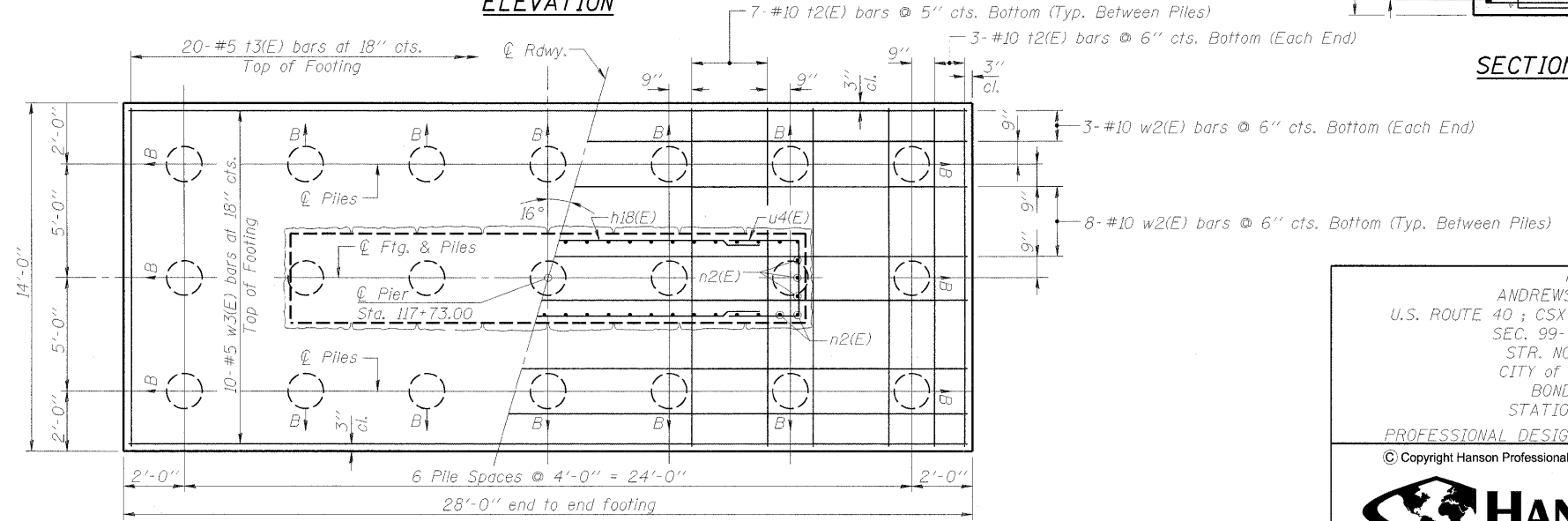
- #5 Bar - 2'-2"
- #6 Bar - 2'-7"
- #9 Bar - 5'-9"

PILE DATA

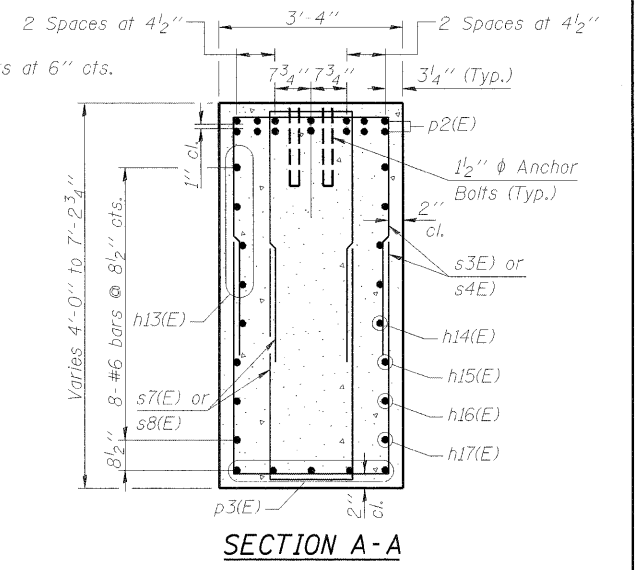
Type: Metal Shell 14" Dia. x 0.312" walls
 Nominal Required Bearing: 516 K
 Allowable Resistance Available: 172 K
 Est. Length: 27
 No. Production Piles: 20
 No. Test Piles: 1



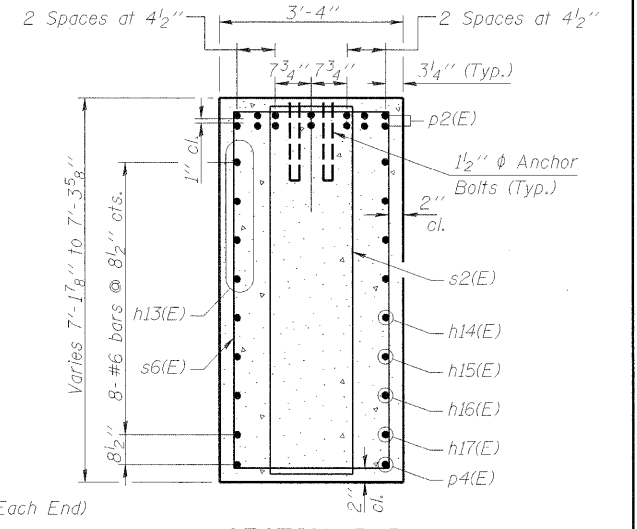
ELEVATION



FOOTING PLAN



SECTION A-A



SECTION B-B

PIER
 ANDREWS DRIVE over
 U.S. ROUTE 40 ; CSX RR and IL. WESTERN RR
 SEC. 99-00036-00-BR
 STR. NO. 003-6000
 CITY OF GREENVILLE
 BOND COUNTY
 STATION 117+73.00
 PROFESSIONAL DESIGN FIRM LICENSE #184-001084
 © Copyright Hanson Professional Services Inc. 2008

HANSON
 Hanson Professional Services Inc.

JOB NO. 04S2012
 DATE 12/10/08

LAYOUT: MM 02/07/08
 DRAWN: DAP 03/07/08
 REVIEWED: MM 03/07/08
 12/23/2008
 A:\04\pjs\046202\CADD\Struct\Sheet\Pier.dgn